

Intersystem Bonding Terminal Kit Installing Instructions

for IBT3A, IBT3C, IBT3AB and IBT3CB

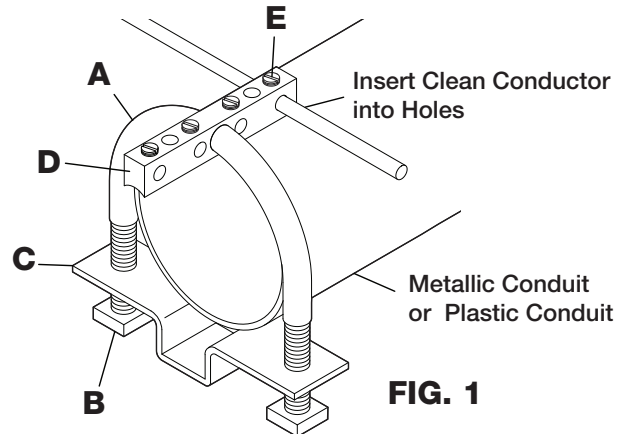
(14-6 AWG & Solid Copper and 17 AWG Solid Copper Clad Steel)

NOTE: Copper Clad Steel is not allowed in Canada.



Kit Contains:

| Description | FIG. 1 | IBT3A | IBT3AB |
|-------------------------------|--------|-------|---------|
| | | IBT3C | IBT3CB |
| U-Bolt 5/16-18 UNC | A | Qty 1 | Qty N/A |
| Square Nut 5/16-18 | B | Qty 2 | Qty N/A |
| Bracket | C | Qty 1 | Qty N/A |
| Intersystem Bonding Connector | D | Qty 1 | Qty 1 |
| Screws | E | Qty 4 | Qty 4 |



NOTICE: THIS PRODUCT IS TO BE INSTALLED BY A QUALIFIED ELECTRICIAN IN ACCORDANCE WITH NATIONAL ELECTRIC CODE OR CANADIAN ELECTRIC CODE REQUIREMENT USING ONE CONNECTOR PER U-BOLT ONLY.

Mounting for 2-1/2" Metallic Conduit (Fig. 1):

- 1) Place U-bolt through larger hole located in the center of the connector.
- 2) Before assembling the connector to the conduit, clean the conduit surface of irregularities to ensure full contact with connector.
- 3) Place U-bolt over the conduit.
- 4) Attach the bracket to the U-bolt with the square nuts, provided. **NOTE:** Make sure that the connector is parallel with the conduit.
- 5) Before installing conductors into the connector, clean conductors to a shiny bright copper finish removing all visible dirt by wire brushing or with a similar process.
- 6) Insert the clean conductors into the connector and tighten the screws located on the top of the connector.

NOTE: To use this connector in a different conduit size or a different U-bolt than the one provided by Thomas & Betts, install a conductor as a jumper. See Step 7 on Mounting for 2-1/2" Plastic Conduit.

Mounting for 2-1/2" Plastic Conduit (Fig. 1):

- 1) Place U-bolt through larger hole located in the center of the connector.
- 2) Before assembling the connector to the conduit, clean the conduit surface of irregularities to ensure full contact with connector.
- 3) Place U-bolt over the conduit.
- 4) Attach the bracket to the U-bolt with the square nuts, provided. **NOTE:** Make sure that the connector is parallel with the conduit.
- 5) Before installing conductors into the connector, clean conductors to a shiny bright copper finish removing all visible dirt by wire brushing or with a similar process.
- 6) Insert the clean conductors into the connector and tighten the screws located on the top of the connector.
- 7) To ground the connector, use one conductor as a jumper between the grounding electrode or grounding electrode conductor and the new connector, using a suitable electrical connector (not supplied).

Mounting On Wall Surface: (Fig. 2):

- 1) Attach the connector to a wall surface by using the holes provided in the connector. Using the appropriate screws, mount the connector to the wall.
- 2) Before installing conductors into the connector, clean conductors to a shiny bright copper finish removing all visible dirt by wire brushing or with a similar process.
- 3) Insert the clean conductors into the connector and tighten the screws located on the connector.
- 4) Use one conductor as a jumper between the grounding electrode or grounding electrode conductor and the new connector, using a suitable electrical connector (not supplied).

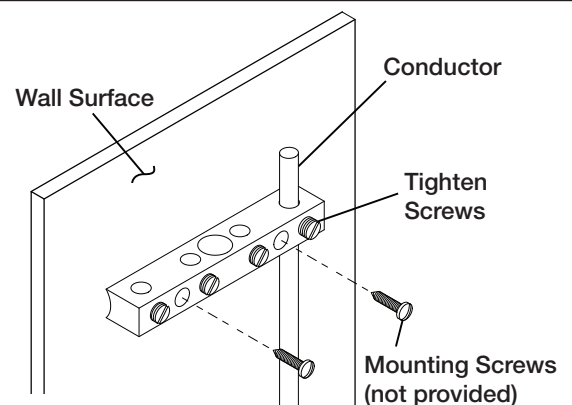


FIG. 2

WARRANTY: Thomas & Betts sells this product with the understanding that the user will perform all necessary tests to determine the suitability of this product for the user's intended application. Thomas & Betts warrants that this product will be free from defects in materials and workmanship for a period of two (2) years following the date of purchase. Upon prompt notification of any warranted defect, Thomas & Betts will, at its option, repair or replace the defective product or refund the purchase price. Proof of purchase is required. Misuse or unauthorized modification of the product voids all warranties.

Limitations and Exclusions: THE ABOVE WARRANTY IS THE SOLE WARRANTY CONCERNING THIS PRODUCT, AND IS IN LIEU OF ALL OTHER WARRANTIES EXPRESS OR IMPLIED, INCLUDING BUT NOT LIMITED TO ANY IMPLIED WARRANTY OF MERCHANTABILITY OR FITNESS FOR A PARTICULAR PURPOSE, WHICH ARE SPECIFICALLY DISCLAIMED. LIABILITY FOR BREACH OF THE ABOVE WARRANTY IS LIMITED TO COST OF REPAIR OR REPLACEMENT OF THE PRODUCT, AND UNDER NO CIRCUMSTANCES WILL THOMAS & BETTS BE LIABLE FOR ANY INDIRECT, SPECIAL, INCIDENTAL OR CONSEQUENTIAL DAMAGES.

Thomas & Betts Corporation
Memphis, Tennessee
www.tnb.com