



Standing Seam Roof Fixing

Secures lightning protection conductors to standing seam profiled metal roofing



Innovative and versatile solutions for profiled roofing

Furse a world leader in the design, manufacture and supply of earthing and lightning protection systems introduces the new innovative standing seam roof fixing for use on multi-profiled seam roofing structures.

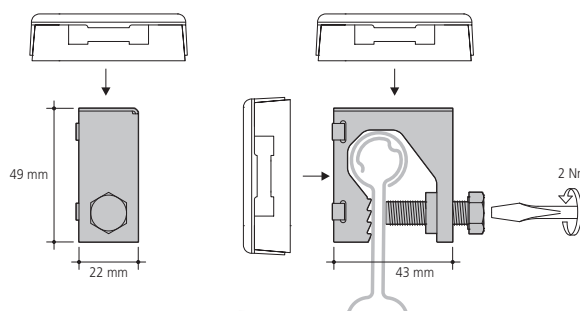
The unique design (Patent pending) can be used to attach a range of standard Furse conductor fixings and connection components which are suitable for either bare or PVC covered conductors that form part of a lightning protection system.

Highly versatile the clamps are available for roofing seams of up to 22 mm thickness and are quick and easy to install without compromising the integrity of the roof.



Features & benefits

- Suitable for use with a range of standard Furse conductors, fixings and connection components
- Unique design (Patent pending)
- Quick and easy to install
- High mechanical strength
- Maximum seam width 22 mm
- For use with most types of standing seam roofing structures
- Corrosion resistant coating to 1000 hours



Standing seam roof fixing complete with non-metallic DC tape clip

Conductor size	Weight each	Part No.
25 x 3 mm - bare copper tape	0.076 kg	SC015
25 x 3 mm - bare aluminium tape	0.076 kg	SC020
25 x 3 mm - brown PVC covered copper or aluminium tape	0.076 kg	SC025
25 x 3 mm - black PVC covered copper or aluminium tape	0.076 kg	SC030
25 x 3 mm - green PVC covered copper or aluminium tape	0.076 kg	SC035
25 x 3 mm - grey PVC covered copper or aluminium tape	0.076 kg	SC040
25 x 3 mm - stone PVC covered copper or aluminium tape	0.076 kg	SC045
25 x 3 mm - white PVC covered copper or aluminium tape	0.076 kg	SC050

Standing seam roof fixing complete with square tape clamp

Conductor size	Weight each	Part No.
25 x 3 mm - bare aluminium tape	0.12 kg	SC005-H
25 x 3 mm - bare copper tape	0.18 kg	SC105-H