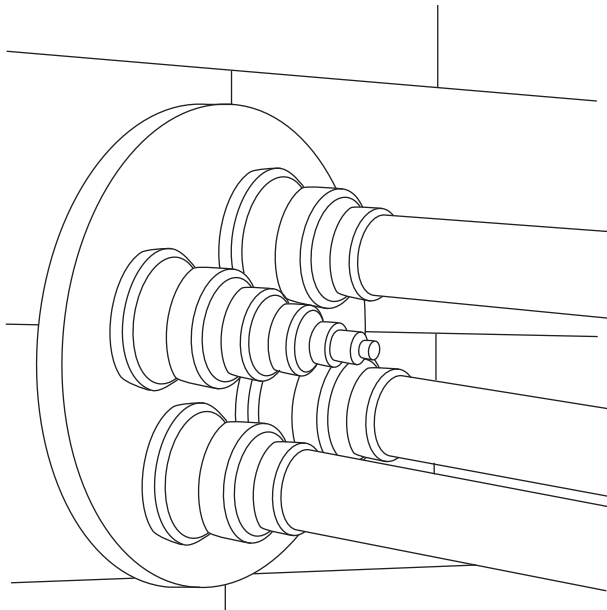


INSTALLATION INSTRUCTIONS

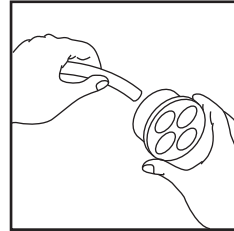
FOR "Flood-Seal"® SCHEDULE 40 INTERNAL PIPE SEALS FAST WATERTIGHT

Completely closes off pipe ends while providing a positive seal around cables.

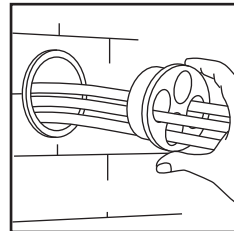
- SEALS OUT water, insects, rodents, dirt
- PRECISION MOLDED in EPDM rubber
- DURABLE, unaffected by sun, rain or soil
- TIGHT FITTING to avoid accidental removal
- RANGE TAKING, wire sizes clearly marked on "Flood-Seal" rocket
- EASY TO USE, friction is reduced because one cable is sealed at a time
- VERSATILE, use as a Watertight Cap prior to pulling cable
- REDUCE INVENTORY, accommodates both single and 3 phase applications



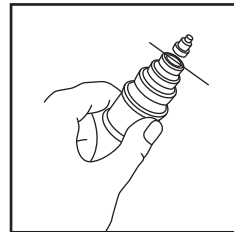
PS Series designed to seal all pipe installations, including those flush with a wall



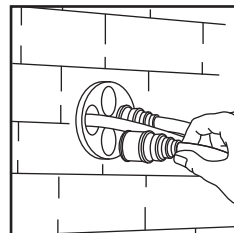
1
Train insulated cables through cable openings of Pipe Seal body.



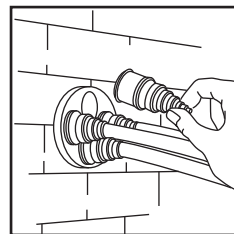
2
Slip Pipe seal body over cables and up to pipe opening. Apply silicone grease to pipe sealing portion of body and to cable openings, Seat body into open end of pipe.



3
Select cut-off ring on Cable Sealing Rocket that matches the cable size and cut. Repeat for each cable sealing rocket used.



4
Apply generous amounts of silicone grease to cables and to cut opening of Cable Sealing Rocket. Slide appropriate rocket over each cable until it locks into Pipe Seal body.



5
For single phase applications, seal unused opening with uncut "Flood-Seal" Rocket.

Limited Warranty Applies. Refer to:
www.tnb.com/ecpwarranty for full warranty terms.

Thomas & Betts

Thomas & Betts Corporation
Memphis, Tennessee
www.tnb.com