

INSTALLATION INSTRUCTIONS FOR INSULATED GROUNDING BUSHINGS

TORQUE TABLE (LB. IN)						
Catalog Number***	Lug Range					
	14-4*		8-2/0		6-4/0**	
	CU	AL	CU	AL	CU	AL
3870-TB, 3871-TB, 3872, 3873, 3874, 3875, 3876, 3877, 3878, 3879, 3880, 3881	35	35	-	-	-	-
3861, 3862, 3882, 3883, 3884, 3889, 3886, 3887, 3863, 3864	-	-	120	35	-	-
3993, 3994, 3995, 3996	-	-	-	-	200	35

* DO NOT use Lug with the AL solid conductors; Use 20 Lb.In torque with 14 AWG CU solid conductors and stranded conductors

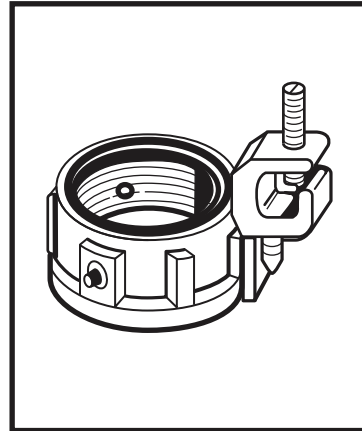
** DO NOT use Lug with the AL solid conductors; Use 100 Lb.In torque with 4/0 AWG AL stranded conductors

*** Catalog Numbers may be followed by the suffixes -SS or -TB

WARRANTY: Thomas & Betts sells this product with the understanding that the user will perform all necessary tests to determine the suitability of this product for the user's intended application. Thomas & Betts warrants that this product will be free from defects in materials and workmanship for a period of two (2) years following the date of purchase. Upon prompt notification of any warranted defect, Thomas & Betts will, at its option, repair or replace the defective product or refund the purchase price. Proof of purchase is required. Misuse or unauthorized modification of the product voids all warranties.

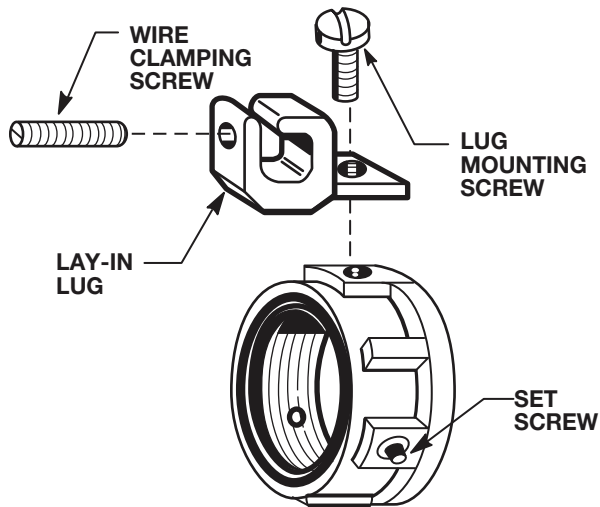
Limitations and Exclusions: **THE ABOVE WARRANTY IS THE SOLE WARRANTY CONCERNING THIS PRODUCT, AND IS IN LIEU OF ALL OTHER WARRANTIES EXPRESS OR IMPLIED, INCLUDING BUT NOT LIMITED TO ANY IMPLIED WARRANTY OF MERCHANTABILITY OR FITNESS FOR A PARTICULAR PURPOSE, WHICH ARE SPECIFICALLY DISCLAIMED. LIABILITY FOR BREACH OF THE ABOVE WARRANTY IS LIMITED TO COST OF REPAIR OR REPLACEMENT OF THE PRODUCT, AND UNDER NO CIRCUMSTANCES WILL THOMAS & BETTS BE LIABLE FOR ANY INDIRECT, SPECIAL, INCIDENTAL OR CONSEQUENTIAL DAMAGES.**

Thomas & Betts Corporation
Memphis, Tennessee
www.tnb.com



INSULATED GROUNDING BUSHING (Threaded and Threadless)

Suitable for use with copper or aluminum wire



3870 Series Threaded Grounding Bushing

1. Thread bushing onto conduit until it bottoms. If necessary, the bushing may be backed off slightly to align the lay-in lug in desired position.
2. Tighten set screw to secure bushing onto conduit.
3. Install bonding jumper (not supplied) and torque wire clamping screw to values in table.