

Ty-Rap® Cable Tie Installing Tool

Adjustable Tension, for Installing
Self-Locking Ty-Rap® Cable Ties

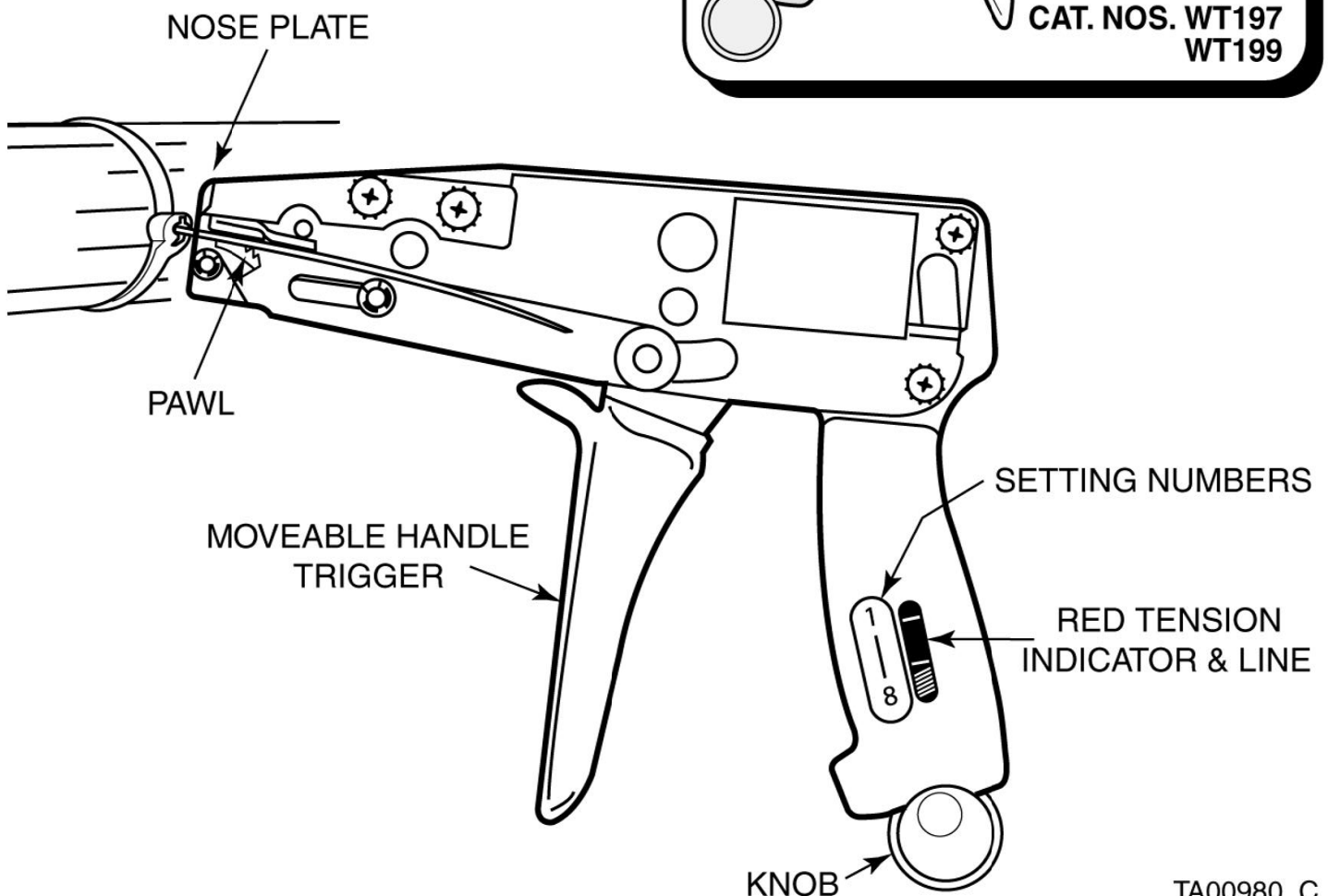
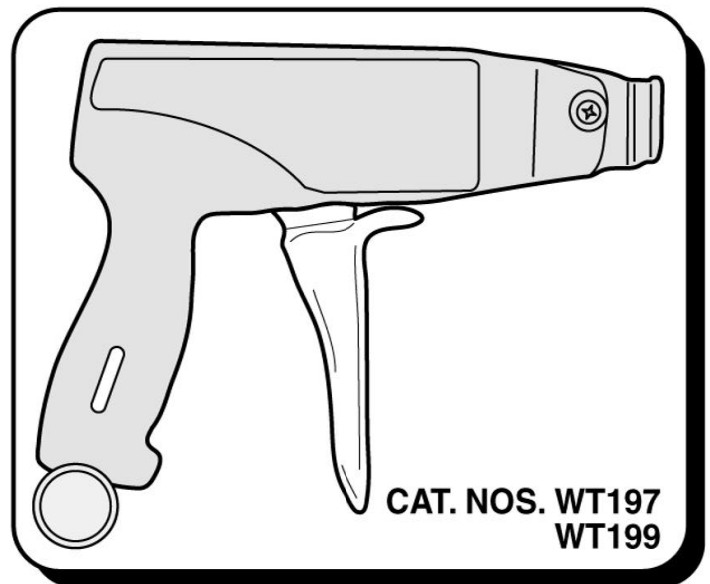
INSTALLING INSTRUCTIONS



WEAR SAFETY GOGGLES
WHEN USING THIS TOOL!

*TOOL OPERATION

Place cable tie around wire bundle and pull snug. Set tool; place strap into tool making sure strap head is in contact with tool nose plate and strap is engaged by pawl over its entire width. Actuate trigger until cut-off occurs. Cut-off depends on tension setting selected.



GENERAL INFORMATION

TOOL CAT. NO. M.S. SPEC. NO.	LABEL COLOR	MILITARY SPEC. TIE CAT. NO.	TENSILE RATING LB. (N)	TIE WIDTH IN. (mm)	SETTING RANGE
WT197 MS-90387-2	RED	MS-3367-3 MS-3367-6	HVY-120 (534)	.300 (7.6)	#5 - 8
		MS-3367-7	STD-50 (222)	.184 (4.7)	#6 - 8
WT199 MS-90387-1	BLACK	MS-3367-4	MIN-18 (80)	.091 (2.3)	#1 - 3
		MS-3367-5	INT-40 (178)	.140 (3.6)	#3 - 5
		MS-3367-1 MS-3367-2	STD-50 (222)	.184 (4.7)	#6 - 8

CATALOG NUMBER REPLACEMENT BLADE NUMBER

WT-197..... R420406

WT-199..... R720405

- * Set the required tension per either the above chart or the label.
- * **To set required tension:** Pull knob outward and turn until indicator is at desired setting; Turn knob to “**LOOSE**” to ease this method of adjustment.
- * The knob may also be cammed from “**LOOSE**” to “**TIGHT**” to provide a quick change adjustment.
- * The tools are factory set, and should not be disassembled.
- * Periodic lubrication of pivot points is recommended; disassembly is not required.

For parts or service, contact the tool service center at 1-800-284-TOOL (8665).

WARRANTY: Thomas & Betts sells this product with the understanding that the user will perform all necessary tests to determine the suitability of this product for the user's intended application. Thomas & Betts warrants that this product will be free from defects in materials and workmanship for the period stated on the enclosed warranty card. Upon prompt notification of any warranted defect, Thomas & Betts will, at its option, repair or replace the defective product or refund the purchase price. Proof of purchase is required. Misuse or unauthorized modification of the product voids all warranties.

Limitations and Exclusions: THE ABOVE WARRANTY IS THE SOLE WARRANTY CONCERNING THIS PRODUCT, AND IS IN LIEU OF ALL OTHER WARRANTIES EXPRESS OR IMPLIED, INCLUDING BUT NOT LIMITED TO ANY IMPLIED WARRANTY OF MERCHANTABILITY OR FITNESS FOR A PARTICULAR PURPOSE, WHICH ARE SPECIFICALLY DISCLAIMED. LIABILITY FOR BREACH OF THE ABOVE WARRANTY IS LIMITED TO COST OF REPAIR OR REPLACEMENT OF THE PRODUCT, AND UNDER NO CIRCUMSTANCES WILL THOMAS & BETTS BE LIABLE FOR ANY INDIRECT, SPECIAL, INCIDENTAL OR CONSEQUENTIAL DAMAGES.

Thomas & Betts Corporation
 Memphis, Tennessee
 Website: www.tnb.com

TA00980 C
 page 2 of 2