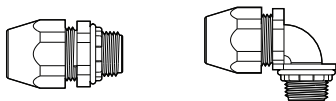

 INSTALLATION INSTRUCTIONS

Non-metallic liquid-tight connector

T&B® Fittings

**WARNING:**

- Risk of shock, disconnect power before installation.

**Important**

Read and understand all instructions and safety information before use. Be aware of proper usage and potential hazards.

**CAUTION:**

- Product should be installed by a qualified electrician in accordance with national and local electrical codes.

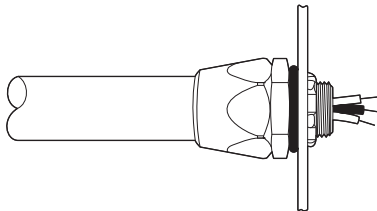
Product selection

Part no:	Size	Description
6302	1/2"	Straight
6303	3/4"	Straight
6304	1"	Straight
6305	1 1/4"	Straight
6322	1/2"	90° Elbow
6323	3/4"	90° Elbow
6324	1"	90° Elbow
6325	1 1/4"	90° Elbow

Note: Product must be installed in accordance with applicable national and local electrical codes.

Material:

Made of chemical-resistant high strength, non-burning, non-dripping thermoplastic.

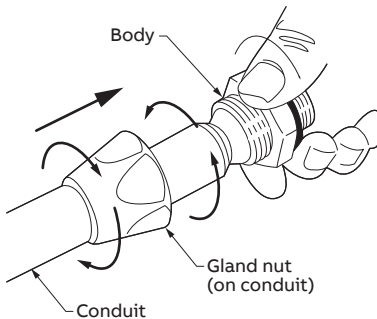


Installation instructions:
(Two equally effective methods)

1. By turning:

Fitting onto conduit

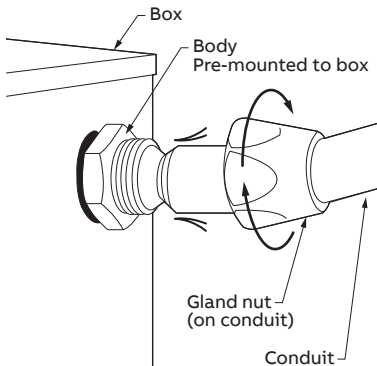
- Slip gland nut on conduit with wide end towards connector body. Place “Left Handed Conduit Gripping Thread” into conduit and tighten **counter-clockwise** until conduit touches straight threaded shoulder of the connector. **DO NOT OVER-TIGHTEN.** Thread gland nut onto fitting body and tighten clockwise with wrench until the base of gland nut is snug on the hex of the body. **DO NOT OVER-TIGHTEN.**



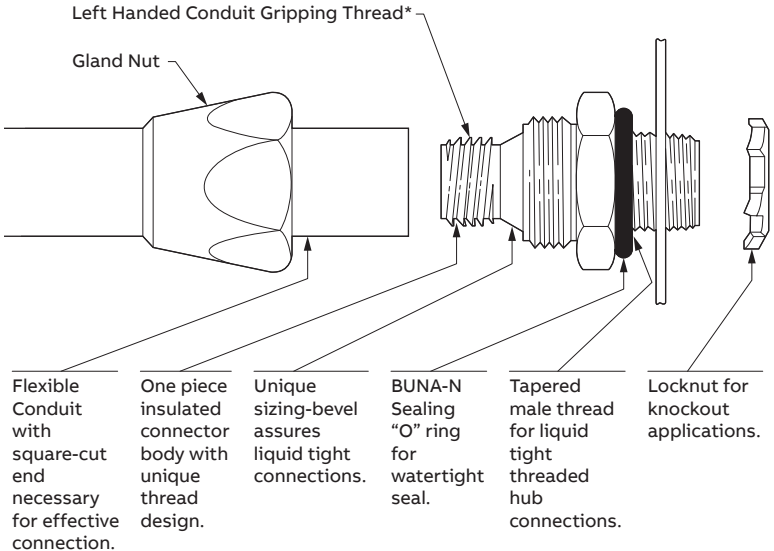
2. By Flexing

When body is pre-mounted

- Pre-mount body to box. Slip gland nut on conduit with wide end toward connector body. Place conduit over “Left Handed Conduit Gripping Thread” and push on with a flexible up and down and side to side motion. Work on by flexing until conduit touches straight threaded shoulder of connector. **DO NOT OVER-TIGHTEN.** Thread gland nut onto fitting body and tighten clockwise with wrench until the base of gland nut is snug on the hex of the body. **DO NOT OVER-TIGHTEN.**



For Liquid Tight flexible, non-metallic conduit connections:



* Reduces number of parts for automatic disassembling of raceway from fitting.

Features:

- Tapered threaded hub to seal in female thread.
- Captive visible “O” Ring to seal knockouts.
- High strength, chemical-resistant, non-burning, non-dripping thermoplastic.
- Liquid tight.
- High mechanical pull out strength.
- Smooth insulated body throughout for maximum dielectric strength.
- UL Listed 128B

tnb.abb.com (US/Latin America)
tnb.ca.abb.com (Canada)
abb.com
Warranty: tnb.abb.com/ecpwarranty

We reserve the right to make technical changes or modify the contents of this document without prior notice. With regard to purchase orders, the agreed particulars shall prevail. ABB does not accept any responsibility whatsoever for potential errors or possible lack of information in this document.

We reserve all rights in this document and in the subject matter and illustrations contained therein. Any reproduction – in whole or in part – is forbidden without prior written consent of ABB. © 2021 ABB Installation Products Inc. and/or its related companies. All Rights Reserved.