

ACCESS FLOOR MODULE INSTALLATION INSTRUCTIONS

CATALOG NUMBERS

AFM-2, AFM-4, AFM-6, AFM-6S2, AFM-6V, AFM-8 and AFM8-ABN

⚠ WARNING ⚠
ELECTRICAL HAZARD!
TURN POWER OFF BEFORE WORK!

USING THE AFM COVER

- 1) To lift the lid on the Access Floor Module (AFM), insert screwdriver into two slots and pry upward (see Figure 2).
- 2) To raise Cord Door, use thumbs or fingers to press the two inside "locking" tabs and rotate the Door open. See note on underside of Lid (see Figure 3).
- 3) Close Lid. Keep Cord Door open when closing Lid. Route electrical and data cords out through opened Cord Door (see Figure 4).
- 4) When AFM is used in high traffic area, inspect the AFM cover and gasket surface routinely to see if they are dirty. When dirty, clean with a mild detergent and water. Condition the gaskets after cleaning. (See Installation Note 7 for gasket conditioning instructions.)

INSTALLATION

AFM-2:	7-1/8" x 4-18"
AFM-4:	7-15/16" x 7-15/16"
AFM-6:	7-15/16" x 10"
AFM-6S2:	7-15/16" x 10"
AFM-8:	9-5/8" x 9-5/8"
AFM-8-ABN:	9-3/4" x 9-3/4" (maximum)

- 1) Cut hole in raised panel for floor box per sizes above.
- 2) Install AFH Bracket on raised floor panel as shown to match the set screws used to hold the box in place. Place bracket in center of cutout opening (see Figure 5).
- 3) Hold bracket tightly against the side and fold legs around edge to engage bottom of floor panel.
- 4) **Sealing Carpet Flange:** Before lowering AFM Box into hole on wood or tile floors, apply caulk or sealant to the underside of Carpet Flange to block water entry (see Figure 5).
- 5) Lower AFM into cut hole and attach conduit as required to meet wiring needs and per National Electrical Code requirements.
- 6) Install 1-1/8" long screws to engage bracket as shown (see Figure 5).
- 7) **Gasket Conditioning:** At initial installation apply a light coating of petroleum jelly to gaskets on Cord Door and Carpet Flange to keep gaskets supple and prevent water entry.
- 8) Carpet or Vinyl Tile may be cut to fit top of metal plate and secure with adhesive (see Figure 4).

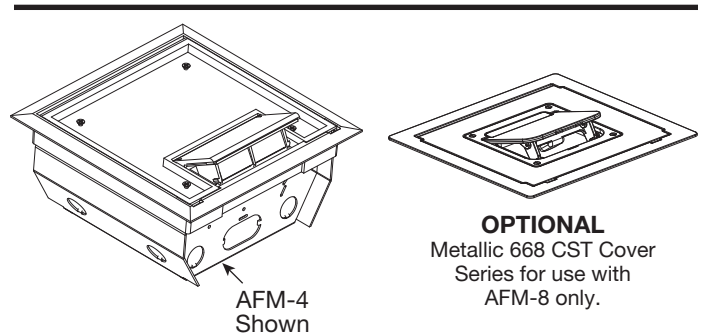


FIGURE 1

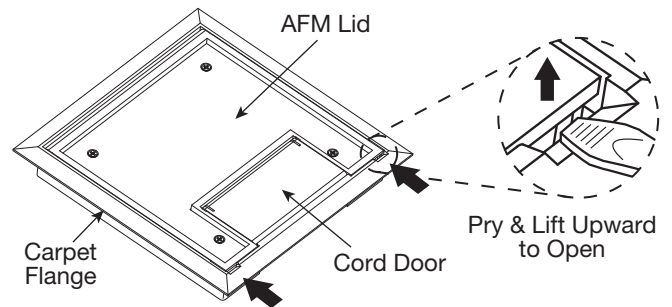


FIGURE 2

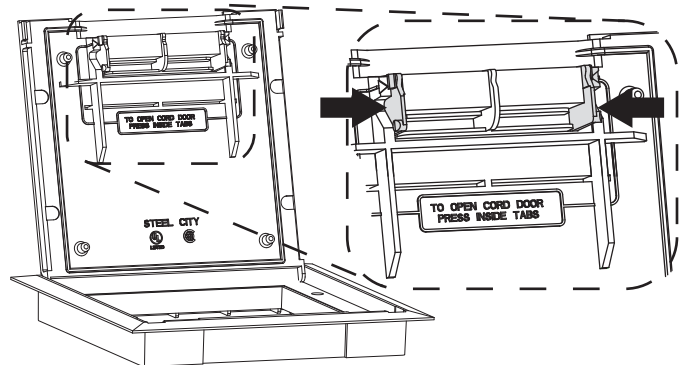


FIGURE 3

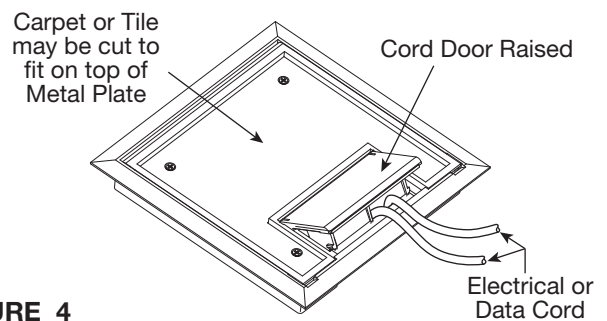
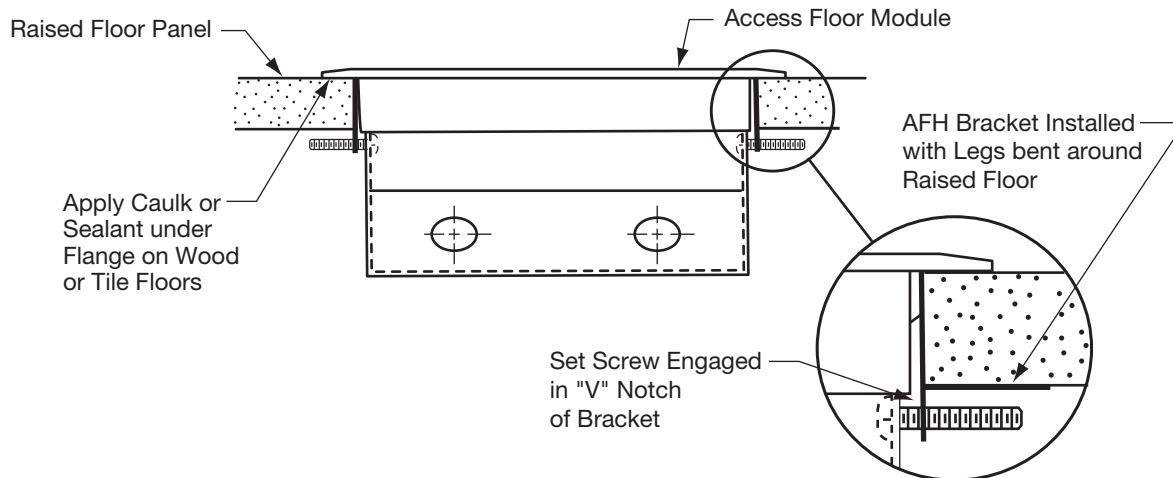


FIGURE 4

ACTIVATION

- Step 1: Open cover to access inside of box.
- Step 2: Attach device(s) as required.
- Step 3: Install all wiring and devices in accordance with National Electrical code and all local codes.



NOTE: One Duplex Panel supplied with AFM-2, AFM-4, AFM-6, two Duplex Panels supplied with AFM-6S2. Order additional power and Data Panels separately.

FIGURE 5

WARRANTY: Thomas & Betts sells this product with the understanding that the user will perform all necessary tests to determine the suitability of this product for the user's intended application. Thomas & Betts warrants that this product will be free from defects in materials and workmanship for a period of two (2) years following the date of purchase. Upon prompt notification of any warranted defect, Thomas & Betts will, at its option, repair or replace the defective product or refund the purchase price. Proof of purchase is required. Misuse or unauthorized modification of the product voids all warranties.

Limitations and Exclusions: **THE ABOVE WARRANTY IS THE SOLE WARRANTY CONCERNING THIS PRODUCT, AND IS IN LIEU OF ALL OTHER WARRANTIES EXPRESS OR IMPLIED, INCLUDING BUT NOT LIMITED TO ANY IMPLIED WARRANTY OF MERCHANTABILITY OR FITNESS FOR A PARTICULAR PURPOSE, WHICH ARE SPECIFICALLY DISCLAIMED. LIABILITY FOR BREACH OF THE ABOVE WARRANTY IS LIMITED TO COST OF REPAIR OR REPLACEMENT OF THE PRODUCT, AND UNDER NO CIRCUMSTANCES WILL THOMAS & BETTS BE LIABLE FOR ANY INDIRECT, SPECIAL, INCIDENTAL OR CONSEQUENTIAL DAMAGES.**

Thomas & Betts Corporation
Memphis, Tennessee 38125
www.tnb.com