

INSTALLATION INSTRUCTIONS 68R SERIES RECESSED SERVICE FLOOR BOX COVERS

COMMERCIAL APPLICATION

Catalog Numbers

| | |
|-------------|--|
| 68R-CST-GRY | 68R Series Recessed Service Floor Box Cover for 68-P Box – Gray |
| 68R-CST-BLK | 68R Series Recessed Service Floor Box Cover for 68-P Box – Black |
| 68R-CST-BRN | 68R Series Recessed Service Floor Box Cover for 68-P Box – Brown |
| 68R-CST-BGE | 68R Series Recessed Service Floor Box Cover for 68-P Box – Beige |
| 68R-CST-BRS | 68R Series Recessed Service Floor Box Cover for 68-P Box – Black Cover with Brass Flange Ring |
| 68R-CST-ALM | 68R Series Recessed Service Floor Box Cover for 68-P Box – Black Cover with Aluminum Flange Ring |

IMPORTANT: Read all instructions before installing. This instruction sheet contains installation instructions for Non-Metallic & Metallic Box Configurations. Operating instructions on page 5 are common to both configurations.



NOTE: Follow National and Local Electrical Codes when installing box and cover to floor.

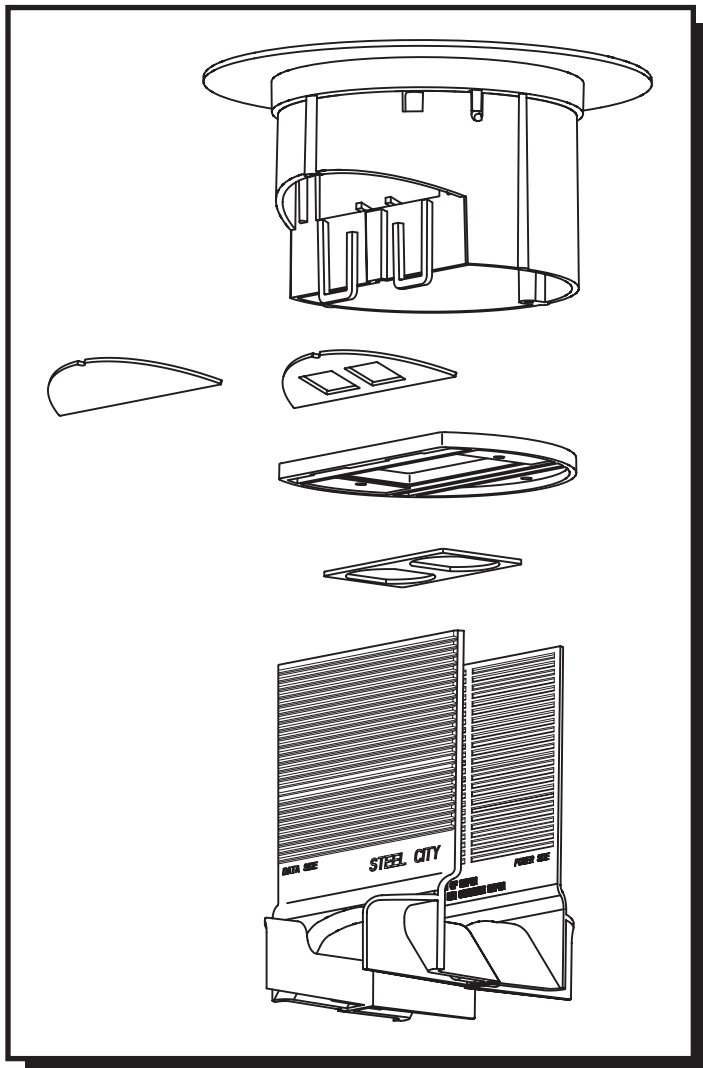


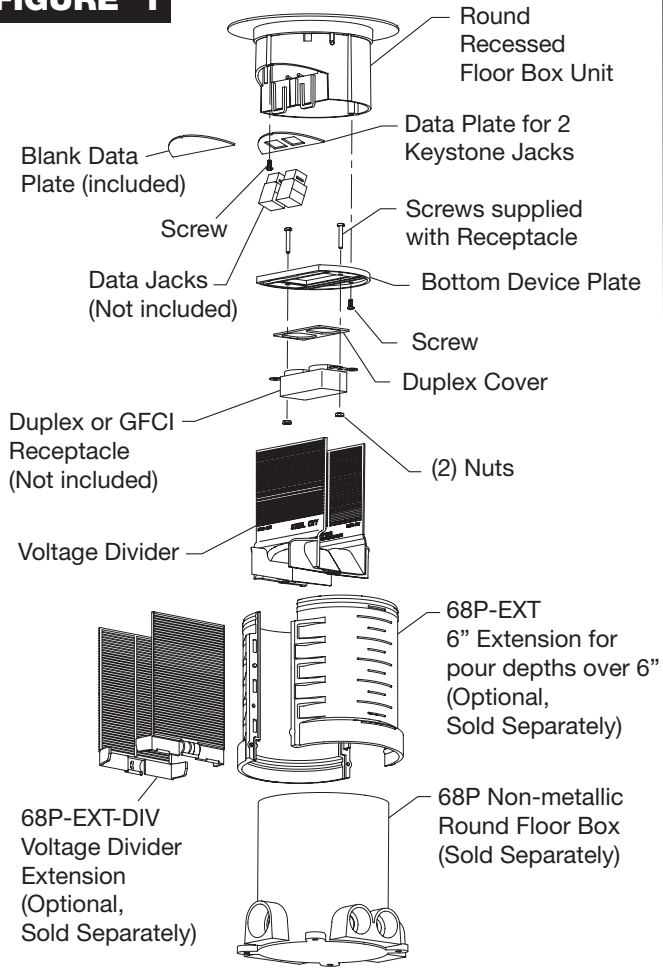
TABLE OF CONTENTS

| DESCRIPTIONS | PAGE |
|---|------|
| Nonmetallic Round Floor Box | |
| Contents and Features..... | 2 |
| Conduit Sizes..... | 2 |
| Concrete Application..... | 2 |
| Data Cables..... | 2 |
| Divider Assembly..... | 2 |
| Divider Height Adjustment..... | 3 |
| Receptacle Installation..... | 3 |
| Bottom Device Plate Installation..... | 3 |
| Data Plate Installation..... | 3 |
| Data Cable Routing..... | 4 |
| Floor Preparation..... | 4 |
| Ring Installation (Brass & Alum. Only)..... | 4 |
| Box and Cover Floor Installation..... | 4 |
| Applying Anchor Screws..... | 4 |
| Metallic Floor Box | |
| Contents and Features..... | 5 |
| Box Assembly..... | 5 |
| Bottom Device Plate Installation..... | 5 |
| Data Plate Installation..... | 5 |
| Sub-Floor Cut..... | 6 |
| Finished Floor Cut..... | 6 |
| Ring Installation (Brass & Alum. Only)..... | 6 |
| Box and Cover Floor Installation..... | 6 |
| Applying Anchor Screws..... | 6 |
| Operating Instructions | |
| 68R Round Recessed Floor Box..... | 7 |

CONTENTS AND FEATURES:

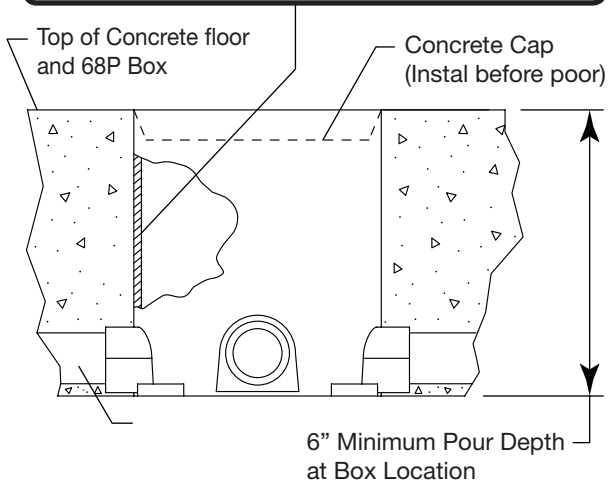
Non-Metallic Round Floor Box

FIGURE 1



STEP 1 Concrete Application

CAUTION
LEVEL TOP OF BOX WITH SCREED LINE OF THE CONCRETE - 6" MINIMUM DEPTH. INSIDE WALL OF BOX MUST BE PERPENDICULAR TO TOP SURFACE OF CONCRETE FLOOR DURING POUR.



STEP 2 Data Cables

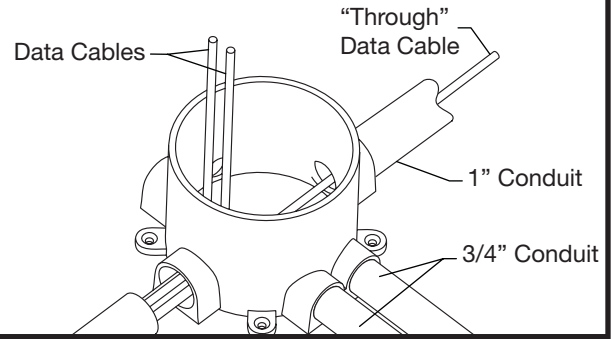
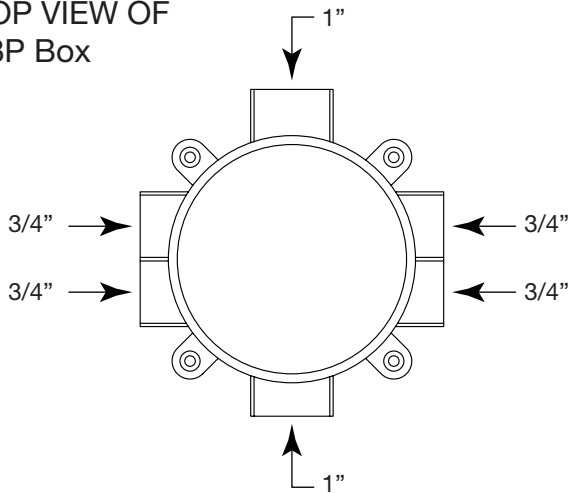


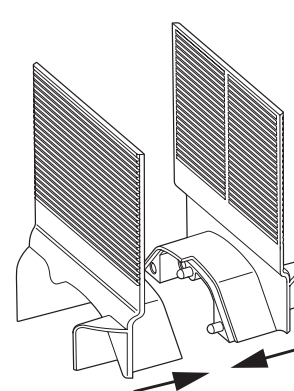
FIGURE 2 Conduit Sizes

TOP VIEW OF 68P Box

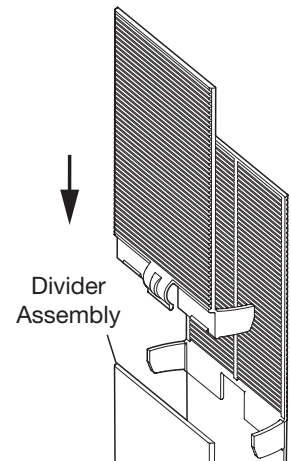


STEP 3 Divider Assembly

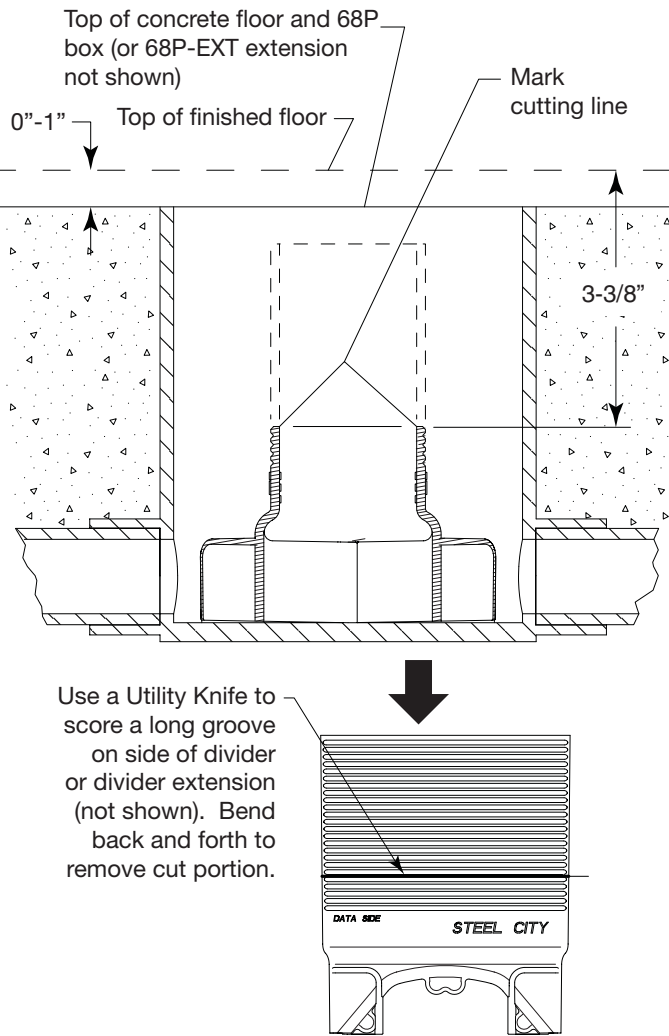
Assemble Divider (Do Not Glue)



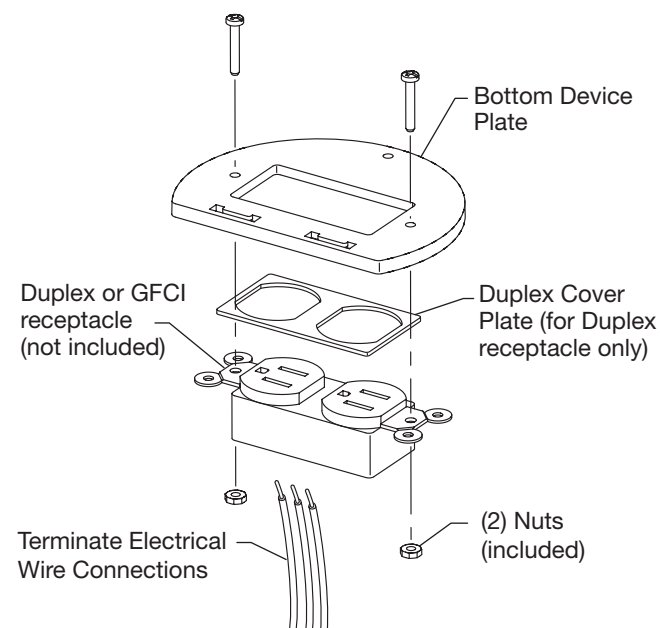
68P-EXT-DIV (Optional, Sold Separately)



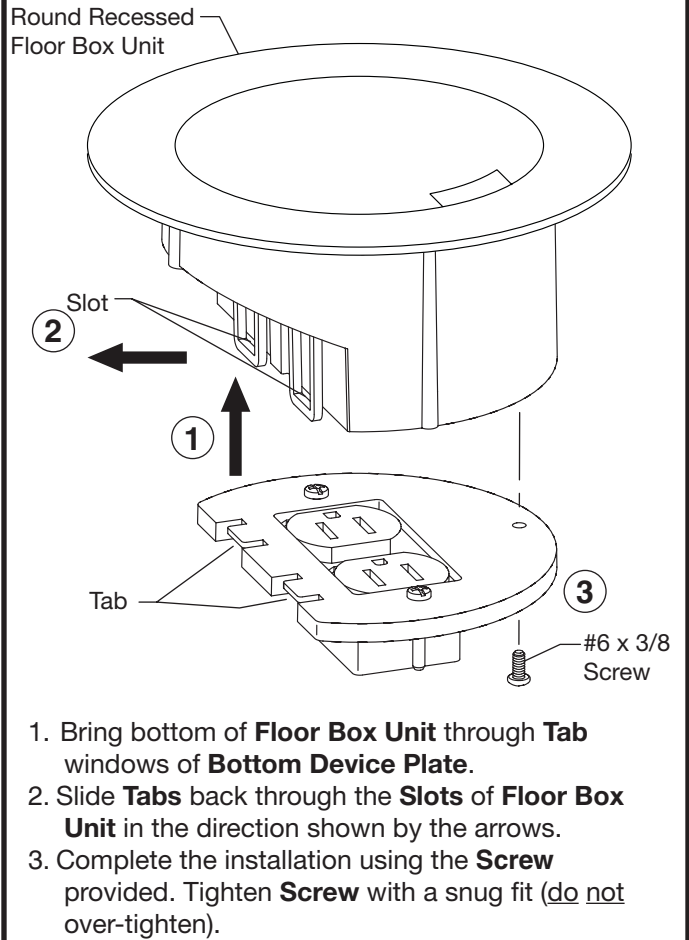
STEP 4 Divider Height Adjustment



STEP 5 Receptacle Installation

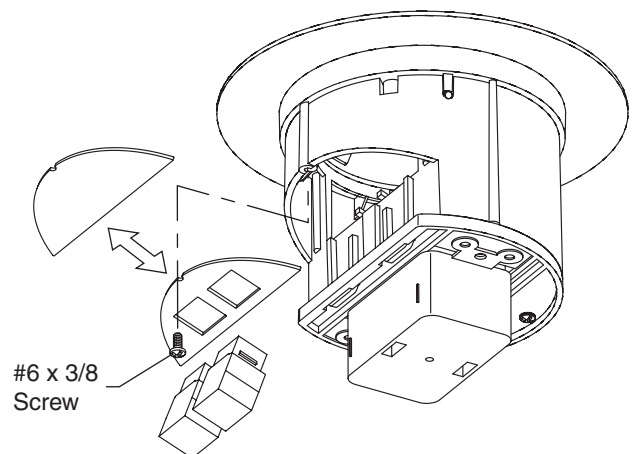


STEP 6 Bottom Device Plate Installation



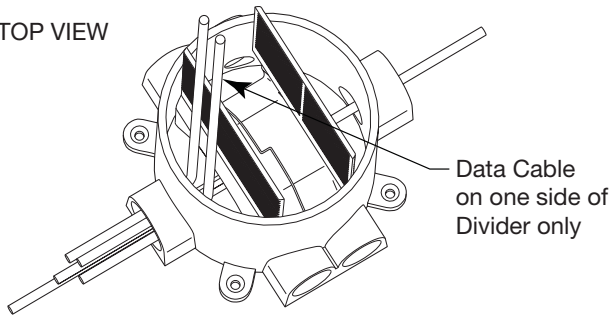
STEP 7 Data Plate Installation

NOTE: Install **Data Plate** when data jacks are required or **Blank Data Cover Plate** when data jacks are not required. **Do not leave data cavity exposed after completing final installation.** Tighten **Screw** with a snug fit (do not over-tighten).

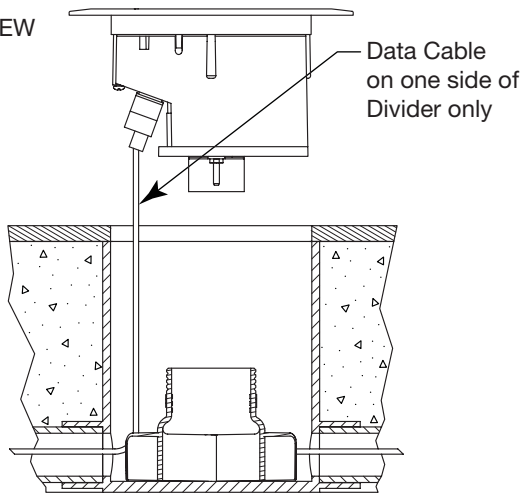


STEP 8 Data Cable Routing

TOP VIEW

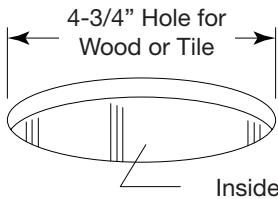


SIDE VIEW



STEP 9 Floor Preparation

For Wood or Tile



For Carpet

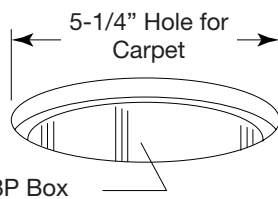
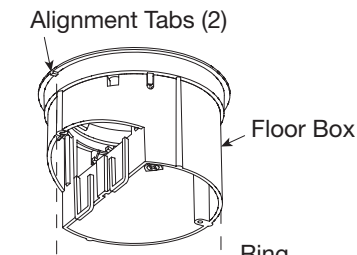
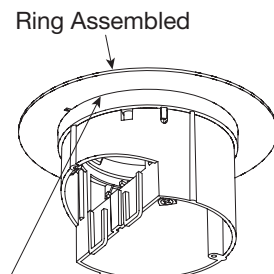


FIGURE 3 Ring Installation (Brass and Aluminum ONLY!)

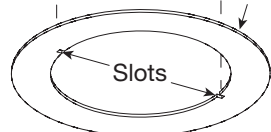
STEP A Align flange with alignment tabs of floor box and place as shown.



STEP B For installing box in concrete slab, see Step 10.

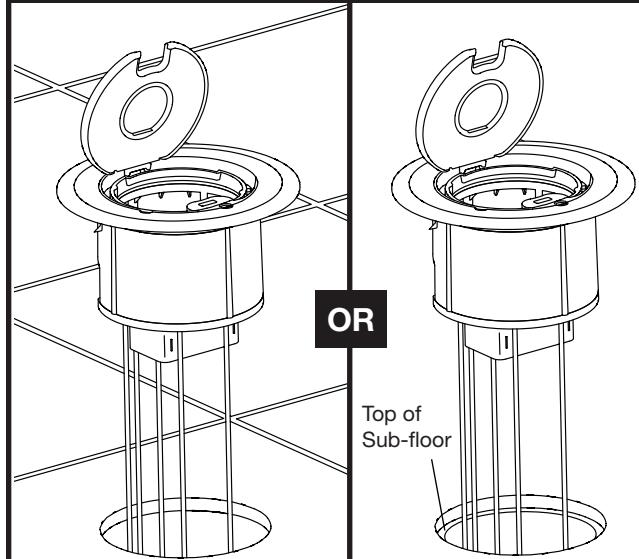


After mounting ring, place continuous seal at joint between flange and floor box to block water entry.



STEP 10 Box and Cover Installation

NOTE: For 68R-CST-BRS and 68R-CST-ALM, refer to Figure 3.



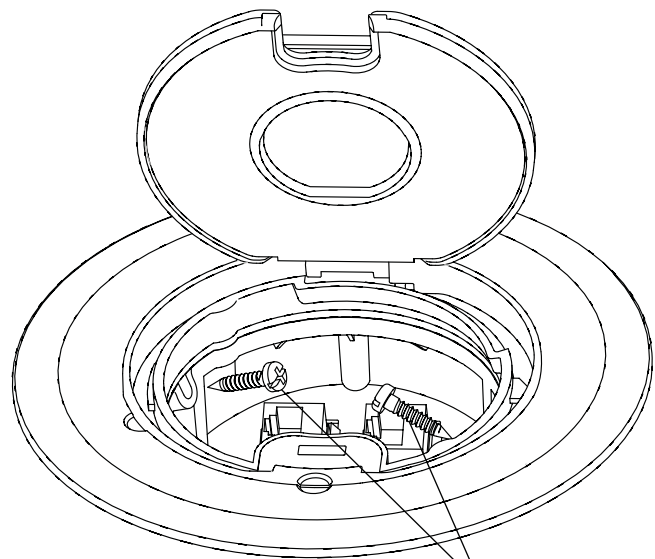
Concrete, Wood or Tile

For concrete, wood or tiled finished floors, apply a continuous bead of caulk or sealant to top of finished floor just outside of opening at the edge.

Carpet

For carpet floors, cut a 5-1/4" diameter hole in the carpet allowing a 1/4" visible edge. Apply a generous amount of caulk or sealant to the exposed surface of the sub-floor and extending slightly over the edge of the hole.

STEP 11 Applying Anchor screws



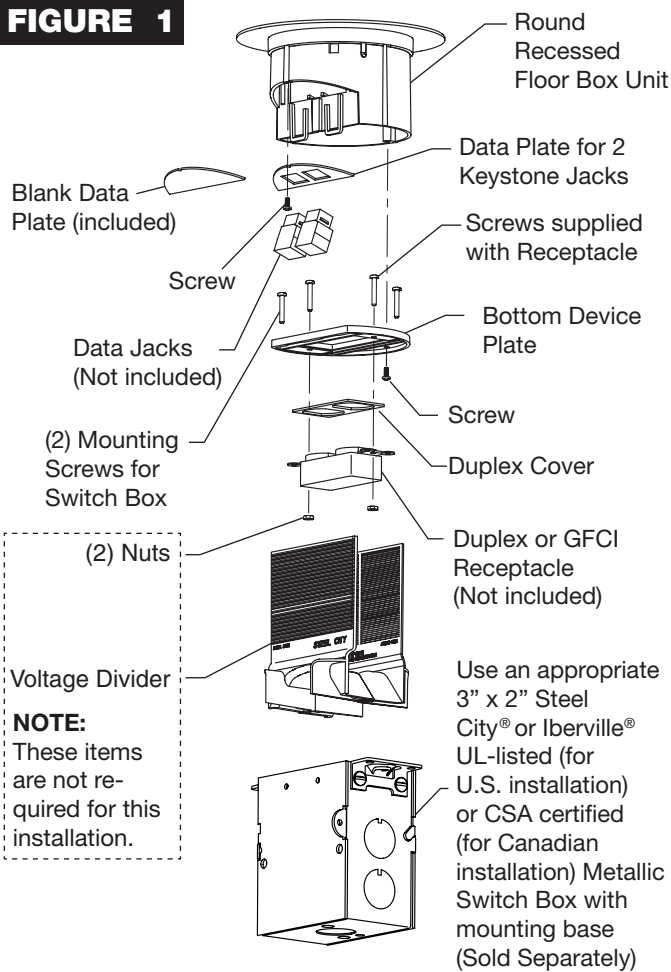
Tighten **Screws** with a snug fit (do not over-tighten).

See page 7 for Operating Instructions

CONTENTS AND FEATURES:

Metallic Floor Box

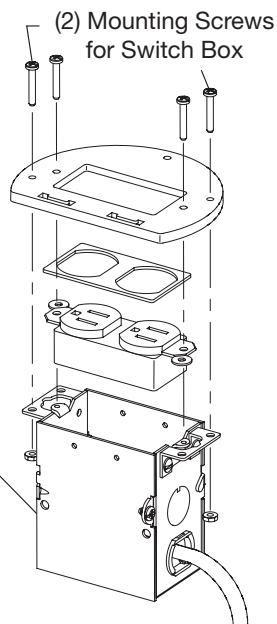
FIGURE 1



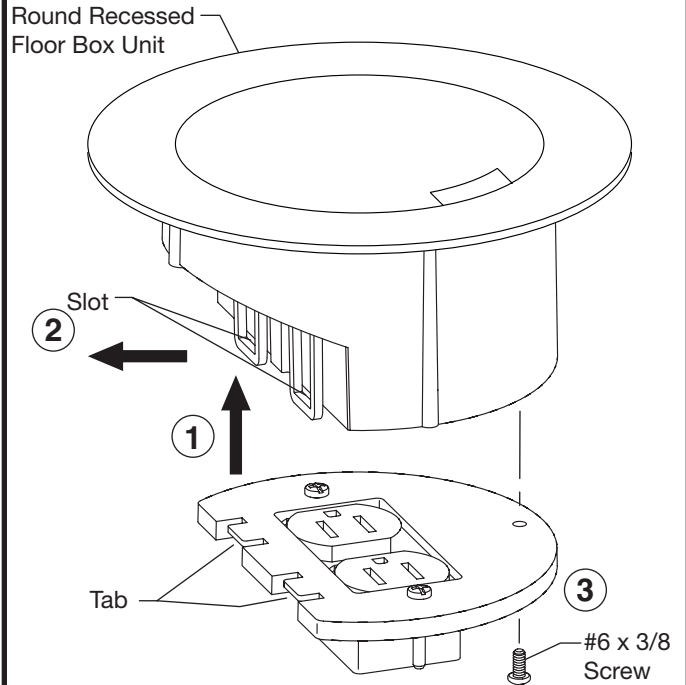
STEP 1 Box Assembly

NOTE:
For conduit or MC cable applications, use appropriate fittings (not supplied).
For NM sheathed cable, use strain-relief fittings (not supplied).

Use an appropriate 3" x 2" Steel City® or Iberville® UL-listed (for U.S. installation) or CSA certified (for Canadian installation) Metallic Switch Box with mounting base



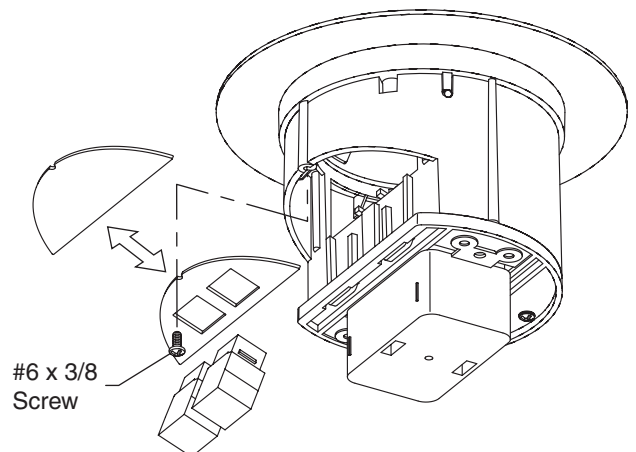
STEP 2 Bottom Device Plate Installation



1. Bring bottom of **Floor Box Unit** through **Tab** windows of **Bottom Device Plate**.
2. Slide **Tabs** back through the **Slots** of **Floor Box Unit** in the direction shown by the arrows.
3. Complete the installation using the **Screw** provided. Tighten **Screw** with a snug fit (do not over-tighten).

STEP 3 Data Plate Installation

NOTE: Install **Data Plate** when data jacks are required or **Blank Data Cover Plate** when data jacks are not required. **Do not leave data cavity exposed after completing final installation.** Tighten **Screw** with a snug fit (do not over-tighten).

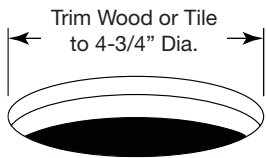


STEP 4 Sub-Floor Cut



STEP 5 Finished Floor Cut

For WOOD or TILE



For CARPET

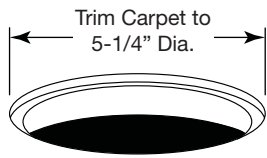
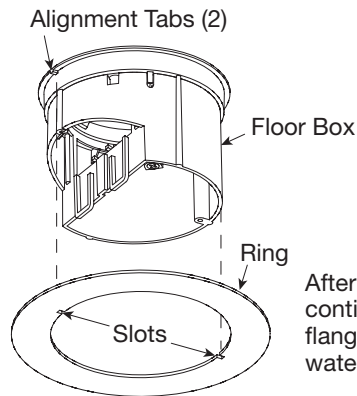
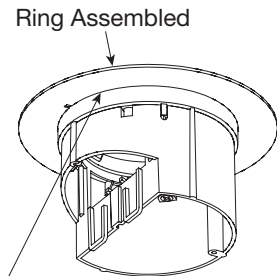


FIGURE 4 Ring Installation (Brass and Aluminum ONLY!)

STEP A Align flange with alignment tabs of floor box and place as shown.



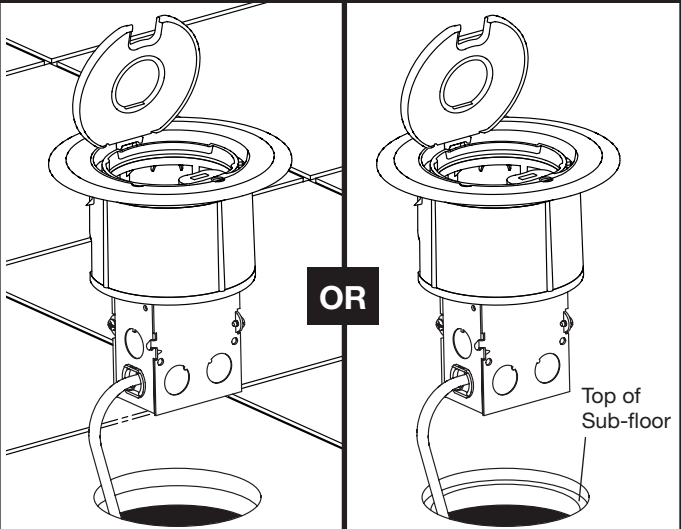
STEP B For installing box in concrete slab, see Step 6.



After mounting ring, place continuous seal at joint between flange and floor box to block water entry.

STEP 6 Box and Cover Installation

NOTE: For 68R-CST-BRS and 68R-CST-ALM, refer to Figure 4.



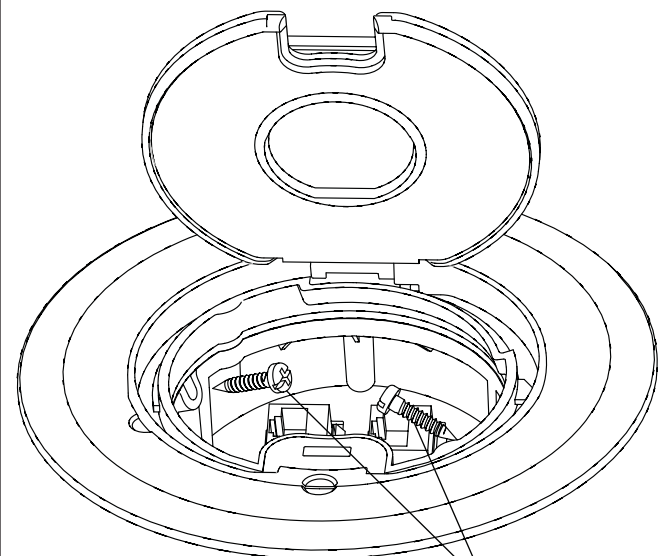
For Wood or Tile

For wood or tiled finished floors, apply a continuous bead of caulk or sealant to top of finished floor just outside of opening at the edge.

For Carpet

For carpet floors, cut a 5-1/4" diameter hole in the carpet allowing a 1/4" visible edge. Apply a generous amount of caulk or sealant to the exposed surface of the sub-floor and extending slightly over the edge of the hole.

STEP 7 Applying Anchor screws



(2) Screws #8 x 3/4" (included)

Tighten **Screws** with a snug fit (do not over-tighten).

See page 7 for Operating Instructions

WARRANTY: Thomas & Betts sells this product with the understanding that the user will perform all necessary tests to determine the suitability of this product for the user's intended application. Thomas & Betts warrants that this product will be free from defects in materials and workmanship for a period of two (2) years following the date of purchase. Upon prompt notification of any warranted defect, Thomas & Betts will, at its option, repair or replace the defective product or refund the purchase price. Proof of purchase is required. Misuse or unauthorized modification of the product voids all warranties.

Limitations and Exclusions: **THE ABOVE WARRANTY IS THE SOLE WARRANTY CONCERNING THIS PRODUCT, AND IS IN LIEU OF ALL OTHER WARRANTIES EXPRESS OR IMPLIED, INCLUDING BUT NOT LIMITED TO ANY IMPLIED WARRANTY OF MERCHANTABILITY OR FITNESS FOR A PARTICULAR PURPOSE, WHICH ARE SPECIFICALLY DISCLAIMED. LIABILITY FOR BREACH OF THE ABOVE WARRANTY IS LIMITED TO COST OF REPAIR OR REPLACEMENT OF THE PRODUCT, AND UNDER NO CIRCUMSTANCES WILL THOMAS & BETTS BE LIABLE FOR ANY INDIRECT, SPECIAL, INCIDENTAL OR CONSEQUENTIAL DAMAGES.**

Thomas & Betts Corporation
Memphis, Tennessee
www.tnb.com