




FFPT4 SERIES POKE-THROUGHS INSTALLATION INSTRUCTIONS





WARNING



**ELECTRICAL SHOCK HAZARD.
DISCONNECT THE ELECTRICAL
SUPPLY POWER TO THE OUTLET
PRIOR TO INSTALLATION.
CONSULT A QUALIFIED
ELECTRICIAN IF YOU HAVE ANY
QUESTIONS.**

IMPORTANT - PLEASE READ ALL INSTRUCTIONS BEFORE BEGINNING. WARRANTY AND FIRE RESISTANCE RATING ARE VOID IF PRODUCT INSTALLATION IS NOT IN COMPLIANCE WITH THESE INSTRUCTIONS.

All FIGURES are shown with covers, Only FFPT4-BRS, -ALM, and -BLK are furnished with covers. FFPT4-CVR-XXX covers can be ordered separately when purchasing the FFPT4.

NOTE: FFPT4-C Poke Through is approved for City of Chicago.

IMPORTANT NOTES:

1. See product category "Outlet boxes and fittings" classified for fire resistance in the current Underwriters Laboratories, Inc. "Fire Resistance Directory" for the fire resistance classification of the Thomas & Betts Poke Through System. Suitable for use in air handling spaces in accordance with Sec. 300.22 (C) of the National Electrical Code.
2. **POKE-THROUGH FLOOR FITTING (Base Unit) IS ONLY TO BE USED WITH A THOMAS & BETTS COVER LISTED FOR USE WITH THIS UNIT.** The system is designed to maintain the hourly rating of concrete floors having a fire rating of 2 hours, only when installed in accordance with these instructions.
3. **TO MAINTAIN FIRE RESISTANCE CLASSIFICATION RATING** a complete Thomas & Betts service fitting, including the service fitting base unit and service fitting cover must be installed.
4. **CONCRETE THICKNESS Min/Max:**
2-HOUR RATED FLOOR: 3-1/4" min over top of deck (or 4" thick reinforced concrete slab) to a maximum of 7-1/2".
5. **SPACING:**
Minimum of 2 ft. on center and not more than one device per 65 sq. ft. of floor area in each span.
6. **INSTALLATION:**
Mount in a 4" diameter core-drilled hole in accordance with these instructions.

7. FLOOR COVERINGS:

When installed in accordance with these instructions, this Poke-Through is fire rated for carpet and wood covered concrete floors, tile floor coverings up to 3/4" maximum thickness, and linoleum floor coverings up to a maximum of 1/8" thickness. Poke-Through may be installed directly on concrete floor when no floor covering is planned.

8. MAXIMUM ALLOWABLE COPPER CROSS-SECTIONAL AREA FOR COMMUNICATIONS CABLING:

POWER (3/4" EMT CONDUIT)	COMMUNICATION (1-1/4" EMT CONDUIT)
12 AWG (QTY. 16) .08192 SQ. IN.	12 AWG (QTY. 14) .07168 SQ. IN.

NOTE: All power conductors are type THHN.

COPPER CROSS SECTIONAL AREA OF COMMONLY USED CONDUCTORS	
SIZE	SOLID
#24	.00032 SQ. IN.
#22	.00050 SQ. IN.
#14	.00323 SQ. IN.
#12	.00512 SQ. IN.
#10	.00815 SQ. IN.
#8	.01296 SQ. IN.

NOTE: Use above values for solid or stranded conductors.

INSTALLATION STEPS:

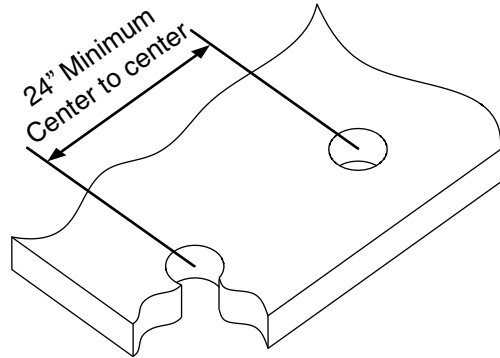
For FFPT4-BRS, FFPT4-ALM, FFPT4-BLK, FFPT4-BRN, FFPT4-BGE, FFPT4-GRY, FFPT4-BASE and FFPT4-C

Step 1 - Layout and Location Position of Hole:



CAUTION: See spacing note 5 under "Important Notes Section".

NOTE: Be certain to locate hole at least 4-1/4" from any wall or pillar to leave enough room for Poke-Through and cover installation.



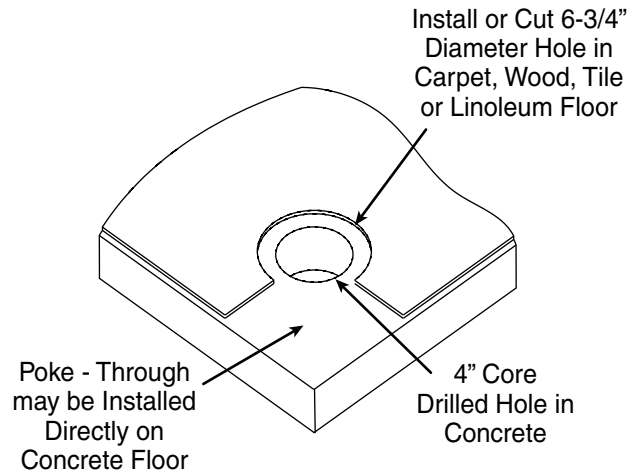
Step 2 - Drill Hole in Floor:

2.1 Cut 6-3/4" Diameter Section from Carpet, Wood, Tile or Linoleum Floor.

Use template provided with these instructions. (Poke-Through may be installed directly on concrete floor if no finished floor is planned).

2.2 Core Drill a 4" Diameter Hole.

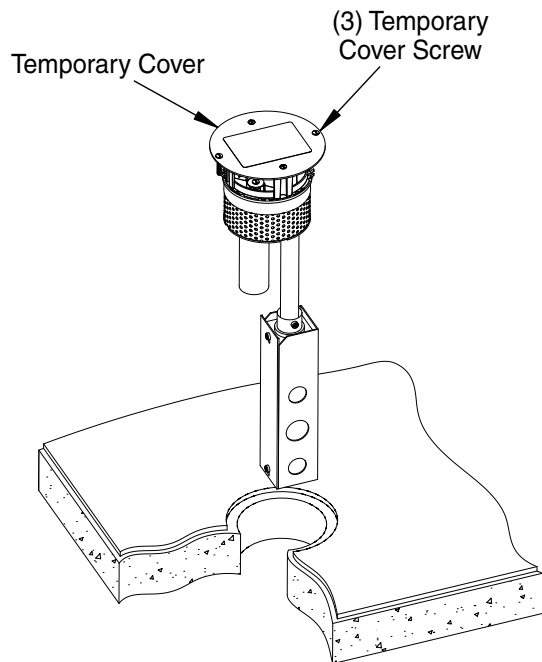
Actual hole size may be 4-1/16" diameter due to drill bit and job site construction tolerances.



Step 3 - Base Unit Assembly:

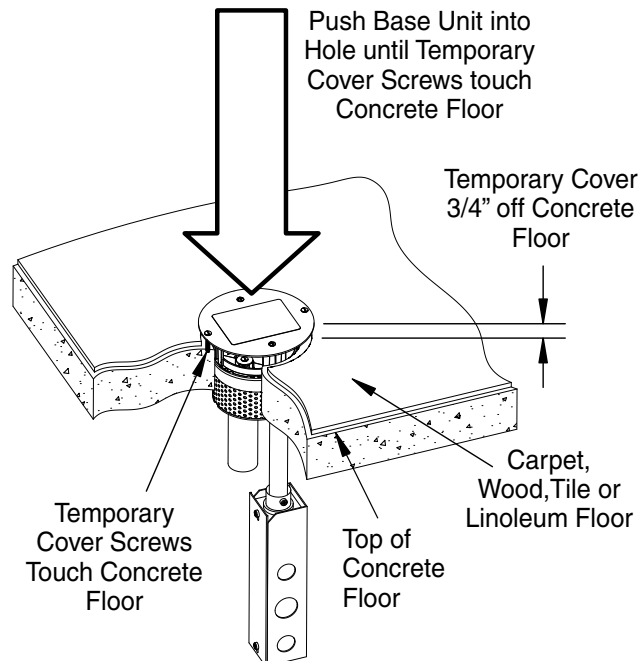


CAUTION: Poke-Through cannot be rotated after inserting into hole.



IMPORTANT! If flexible conduit is used, electrical connections may be made before inserting base unit into hole. (**Except City of Chicago**)

Insert base unit into hole and push down until screws in temporary cover contact concrete floor.



Step 4 - Cover Assembly:

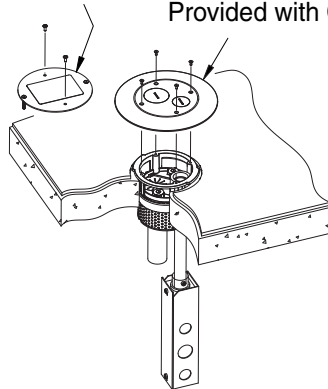
Verify that finished floor is installed or cut to match the 6-3/4" diameter opening as shown on template provided with this instruction sheet (see Step 2).

Install FFPT4 series cover using instructions provided with cover.

Push cover down fully to seat cover to floor.

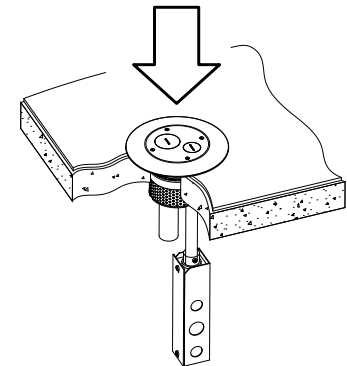
If cover is installed directly on concrete, grout the outer edge of the flange after the cover is sealed to the floor.

Remove Temporary Cover



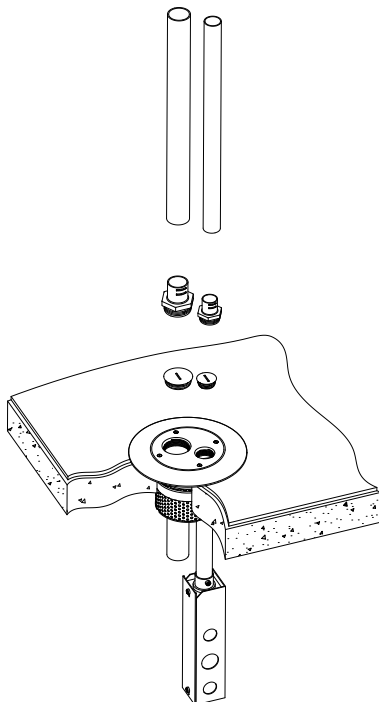
Install FFPT4 Series Cover per Instructions Provided with Cover

After Cover is Screwed to Poke-Through, Push Down on Top (Step on Cover) to Fully Seat Cover to Floor



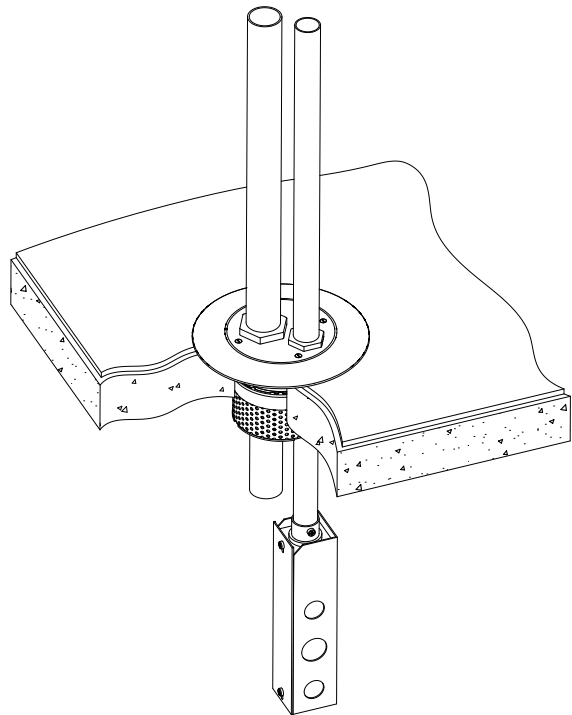
Step 5 - Electrical Connections:

Remove plugs and install appropriate conduit fittings as required. Complete installation by attaching conduit.



Step 6 - Completing Final Installation:

Final installation of Poke-Through as shown.

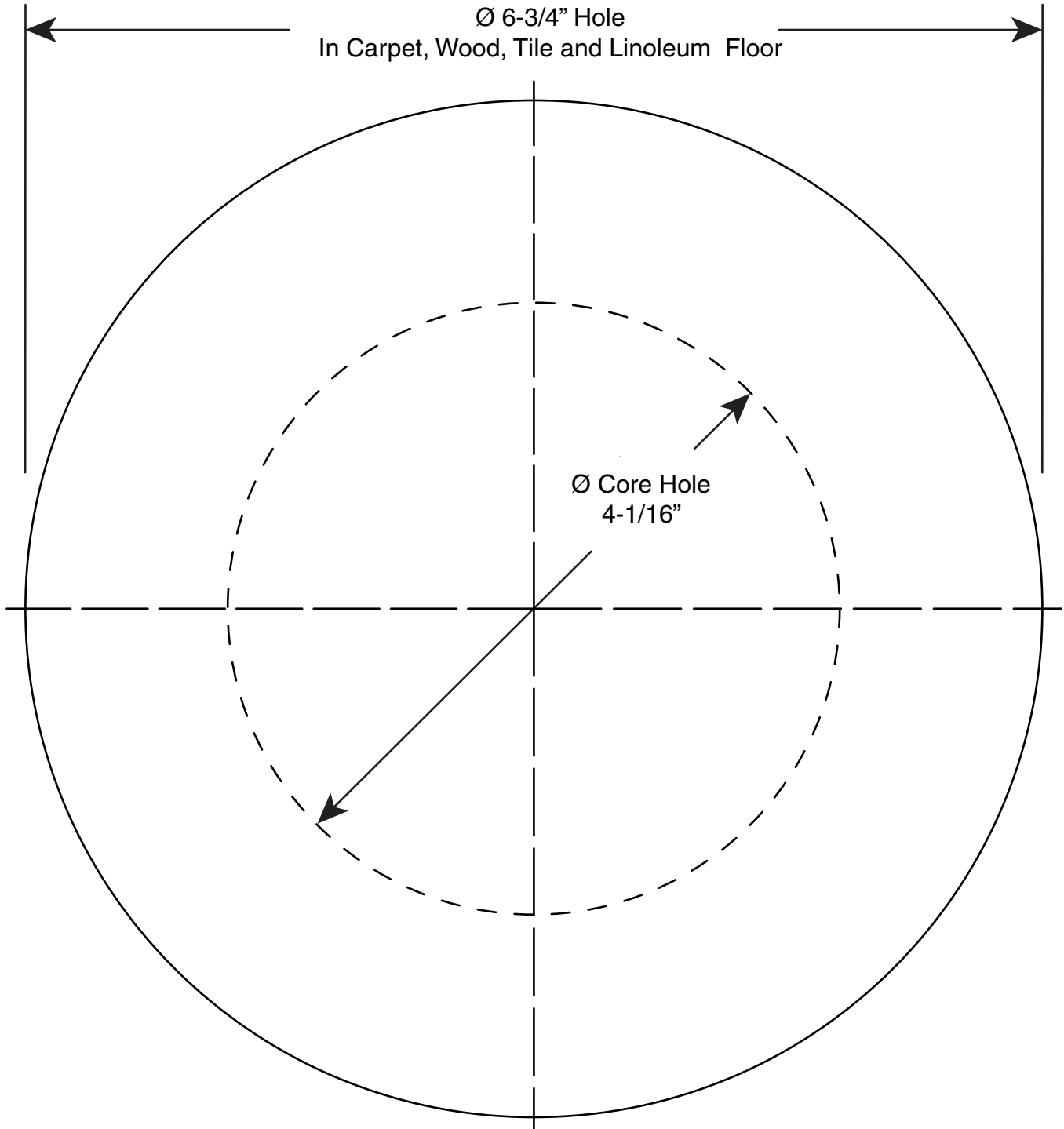


WARRANTY: Thomas & Betts sells this product with the understanding that the user will perform all necessary tests to determine the suitability of this product for the user's intended application. Thomas & Betts warrants that this product will be free from defects in materials and workmanship for a period of two (2) years following the date of purchase. Upon prompt notification of any warranted defect, Thomas & Betts will, at its option, repair or replace the defective product or refund the purchase price. Proof of purchase is required. Misuse or unauthorized modification of the product voids all warranties.

Limitations and Exclusions: THE ABOVE WARRANTY IS THE SOLE WARRANTY CONCERNING THIS PRODUCT, AND IS IN LIEU OF ALL OTHER WARRANTIES EXPRESS OR IMPLIED, INCLUDING BUT NOT LIMITED TO ANY IMPLIED WARRANTY OF MERCHANTABILITY OR FITNESS FOR A PARTICULAR PURPOSE, WHICH ARE SPECIFICALLY DISCLAIMED. LIABILITY FOR BREACH OF THE ABOVE WARRANTY IS LIMITED TO COST OF REPAIR OR REPLACEMENT OF THE PRODUCT, AND UNDER NO CIRCUMSTANCES WILL THOMAS & BETTS BE LIABLE FOR ANY INDIRECT, SPECIAL, INCIDENTAL OR CONSEQUENTIAL DAMAGES.

Thomas & Betts Corporation
Memphis, Tennessee
www.tnb.com

TEMPLATE FOR FLOOR CUT OUT



 **CAUTION: WHEN PRINTING COPIES, BE SURE THE TEMPLATE IS SCALED CORRECTLY.**