

68-HP-FMK FLUSH MOUNTING KIT Installation Instructions

IMPORTANT: Read all instructions before installing floor box, carpet plate or mounting kit.

 **WARNING**  **RISK OF SHOCK, DISCONNECT POWER BEFORE INSTALLATION.**



 **CAUTION**  Floor Box should be installed by a qualified electrician in accordance with national and local electrical codes.

Table of Contents

Catalog Number	
68-HP 68-HP-C1	1.0 Floor Box Activation and Floor Preparation
68-HP-FMK and 68-HP-FC-XXX	2.0 Flush Mounting Kit Installation
	3.0 Cover Installation
	4.0 Removal of Cover and FMK Ring (Only when necessary)
	5.0 68-HP Optional Available Parts

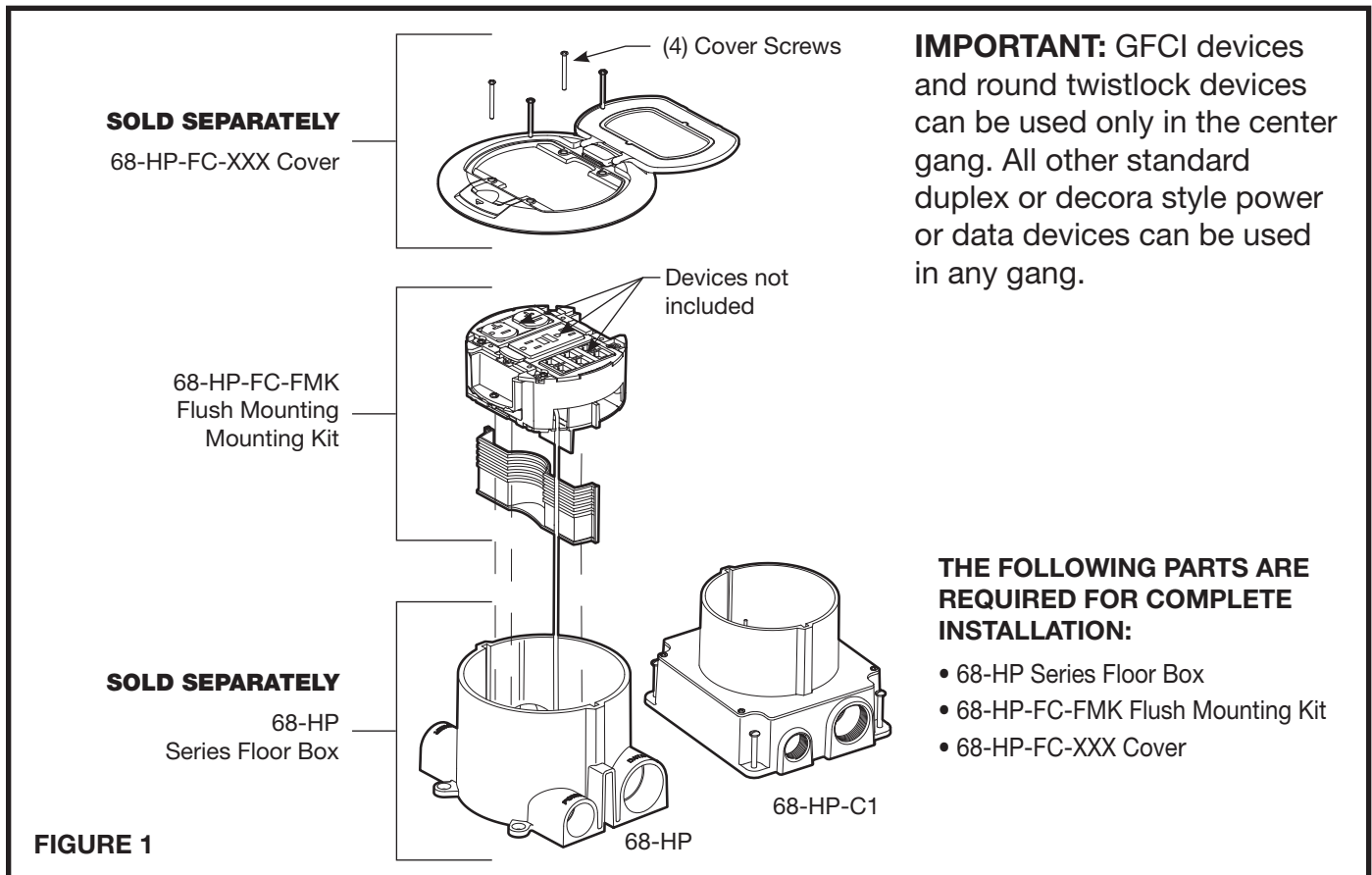


FIGURE 1

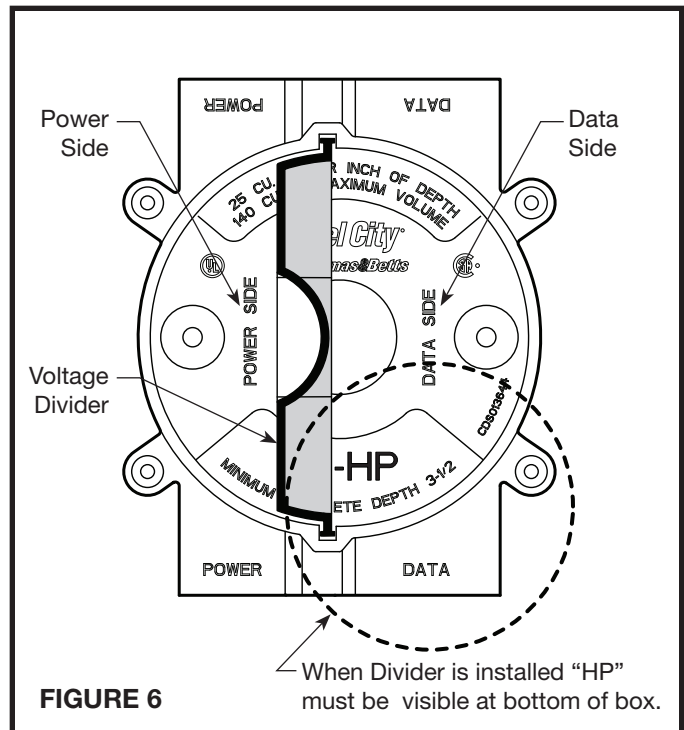
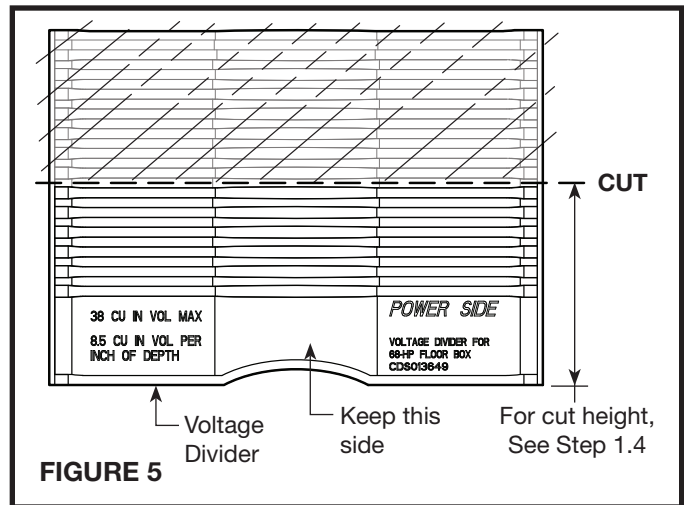
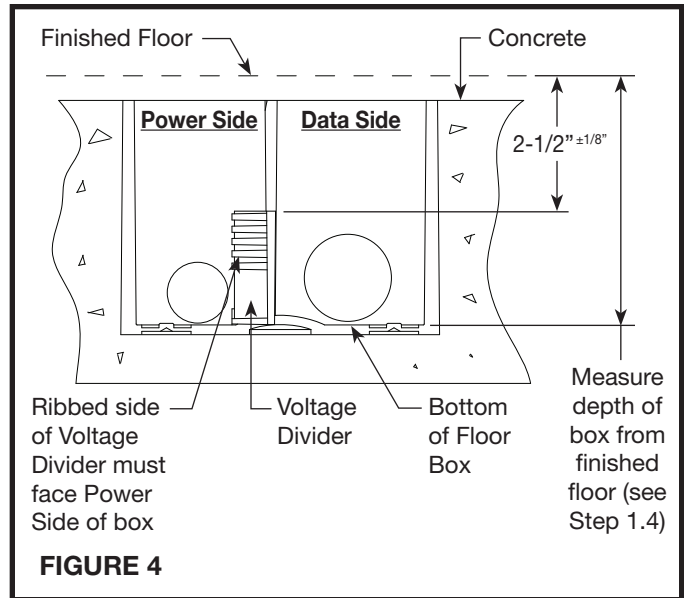
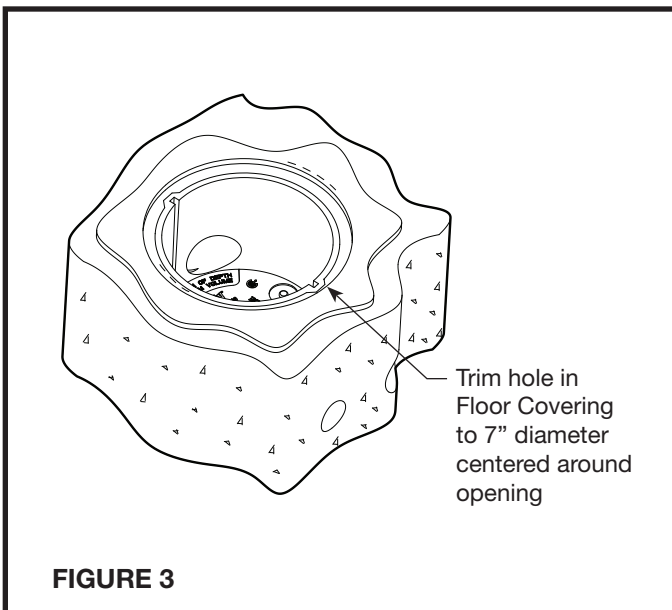
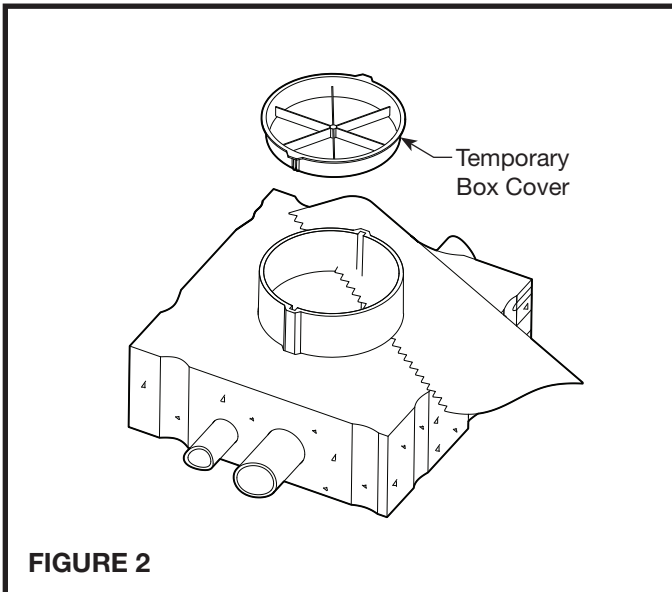
1.0 Floor Box Activation & Floor Preparation

- 1.1 Floor box must already be set in concrete according to instructions furnished with floor box.
- 1.2 Remove temporary cover from 68-HP or 68-HP-CI floor box. Cut top of box flush with concrete floor.

⚠ CAUTION ⚠

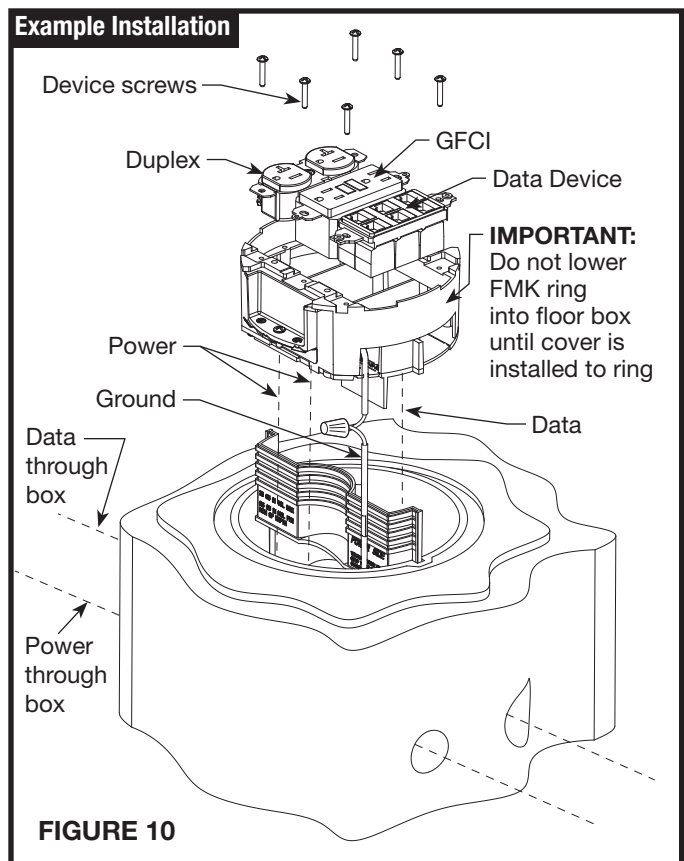
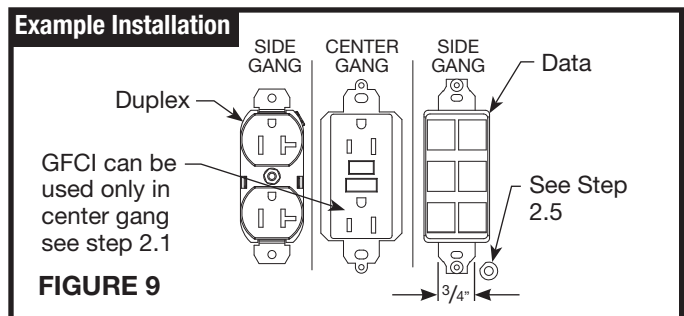
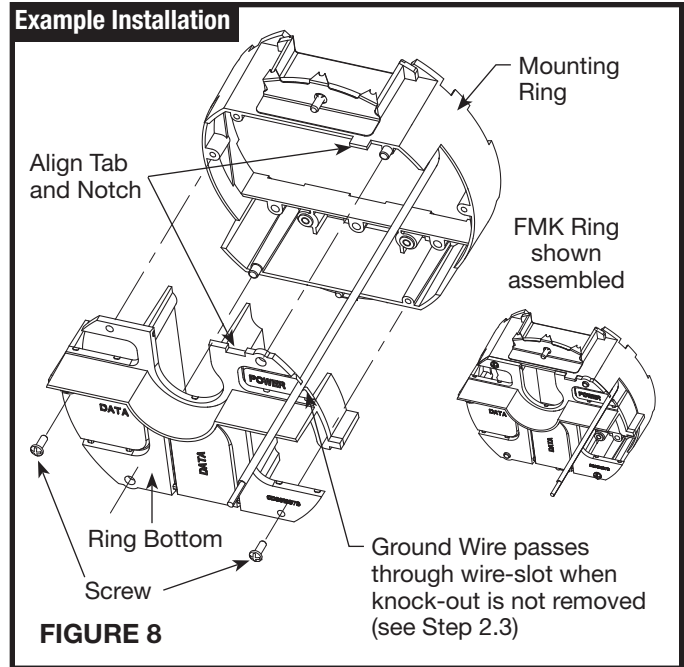
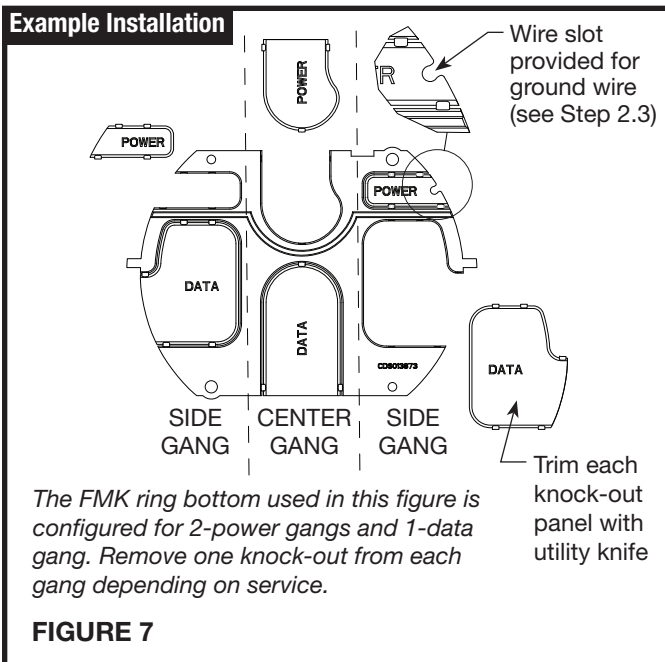
Box must be cut square and parallel with concrete floor surface (see Figure 2).

- 1.3 Install floor covering and trim hole around floor box opening to 7" diameter (see Figure 3).
- 1.4 Measure depth of floor box from finished floor to bottom of the box and cut voltage divider so that when it is inserted in the floor box, the top of the divider is $2\text{-}1/2" \pm 1/8"$ below the finished floor surface (see Figures 4 and 5).
- 1.5 Place the voltage divider in box. The ribbed side of the divider must face the power side. The letters "HP" will be visible in bottom of the box when divider is in correct orientation (see Figures 5 and 6).



2.0 Flush Mounting Kit Installation

- 2.1 **IMPORTANT:** Before removing knock-outs, please note that GFCI and round twistlock devices can only be used in the center gang.
- 2.2 Ring bottom has a power data knock-out in each gang. Determine if the center or side gangs will be used for power or data. Trim power or data knock-out panels from ring bottom as required for YOUR installation. THE THREE GANGS CAN BE CONFIGURED FOR ANY COMBINATION OF POWER AND/OR COMMUNICATIONS. In the Example Installation below, 2-power knock-outs and 1-data knock-out have been removed (see Figures 7 through 10).
- 2.3 A wire slot is provided in one of the side gang power knock-outs for the cover ground wire path. If this knock-out is removed, the ground wire can pass through opening (see Figures 7 and 8).
- 2.4 Align tab on mounting ring with notch in bottom and assemble ring bottom to ring using (2) screws furnished (see Figure 8).
- 2.5 Select power and data devices to be installed and remove all side mounting ears on devices. When required, trim data mounting straps to 3/4" wide (see Figure 9).
- 2.6 Verify voltage divider is in floor box. Voltage divider must be cut to correct height, see step 1.4. Ribbed side of voltage divider must face power side of interior of floor box (see Figures 4 and 10).
- 2.7 Pull power (electrical) conductors and ground wires up through power side of floor box and through power knock-outs in FMK ring. Install power devices and make connections to power devices according to local and national electrical codes. Power wires not used for devices can pass through box (see Figure 10). **IMPORTANT:** Do not lower FMK ring into floor box until cover is secure to ring.
- 2.8 Connect FMK ring ground wire to an electrical ground wire from box according to local and national electrical codes (see Figure 10).
- 2.9 Pull data cable up through data side of floor box (smooth side of voltage divider) and through data knock-outs in FMK ring. Make connections to data devices and mount to ring. Data cable not used for devices can pass through box (see Figure 10). **IMPORTANT:** Do not lower FMK ring into floor box until cover is secure to ring (see 3.0).



3.0 Cover Installation

- 3.1 Place duplex inserts over any duplex devices (See Figure 11).
- 3.2 Place decora side and center plates over devices (see Figure 11).
- 3.3 Use (4) screws furnished and secure cover to 68-HP-FMK mounting ring.
- 3.4 Applying sealant to floor:
 - 3.4.1 **Concrete and Carpet:** Concrete and carpet: Apply moderate amount of sealant or caulk directly to concrete floor fully around box opening. (about 1/8" from outside edge of box). Use enough sealant to block water entry (see Figure 11).
 - 3.4.2 **Tile, Wood and Linoleum:** Apply moderate amount of sealant directly on finished floor. Fully surround 7" diameter opening in floor. Use enough sealant to block water entry (see Figure 11).
- 3.5 Verify guide ribs on FMK ring are aligned with divider and grooves in floor box. Power knock-outs in FMK ring must be positioned over power compartment in box. Lower FMK and cover assembly into floor box opening. Close lid and push cover down fully to seat cover to floor (see Figures 11 and 12). Clean excess sealant around cover edge.

4.0 Removal of Cover and FMK Ring (ONLY WHEN NECESSARY)

- 4.1 Remove the cover 68-HP-FC-XXX. Remove the (2) screws holding the retainer clips (see figure 11). The FMK ring can be lifted out of box when the retainer clips are disengaged from the ring.

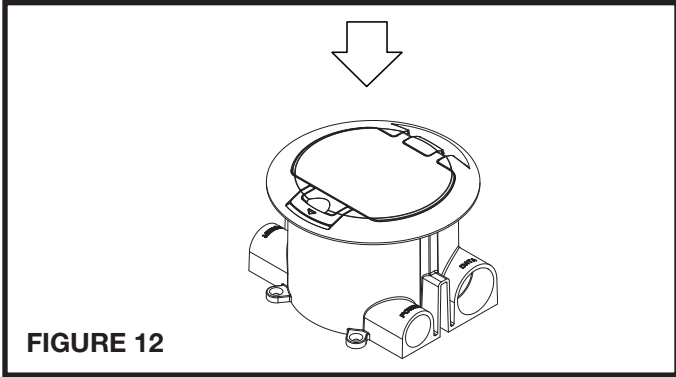
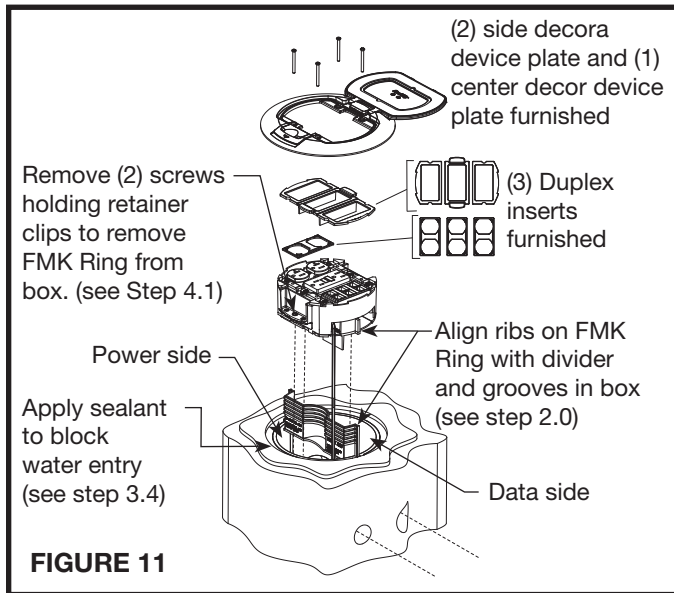


FIGURE 12

5.0 68-HP Optional Available Parts:

- 5.1 The 68-HP can be outfitted with other power and data plates to meet your floor box requirements. Shown below are some of the plates Thomas & Betts offers. Consult the catalog or website for further details (see Figure 13).

A. 68-HP-DPS-DEC	Side Plate Kit (Decora or Duplex)
B. 68-HP-DPC-GFCI	Center Plate Kit (GFCI, Decora or Duplex)
C. 68-HP-DPC-R	Power Plate (1-9/16" Round)
D. 68-HP-DPS-2MAAP	2-Extron MAAP Plate-Side
E. 68-HP-DI	Duplex Insert
F. 68-HP-BI	Blank Insert
G. 68-HP-DPC-2MAAP	2-Extron MAAP Plate-Center
H. 68-HP-DPAV-EXT	Extron, 3-AAP, 2-MAAP

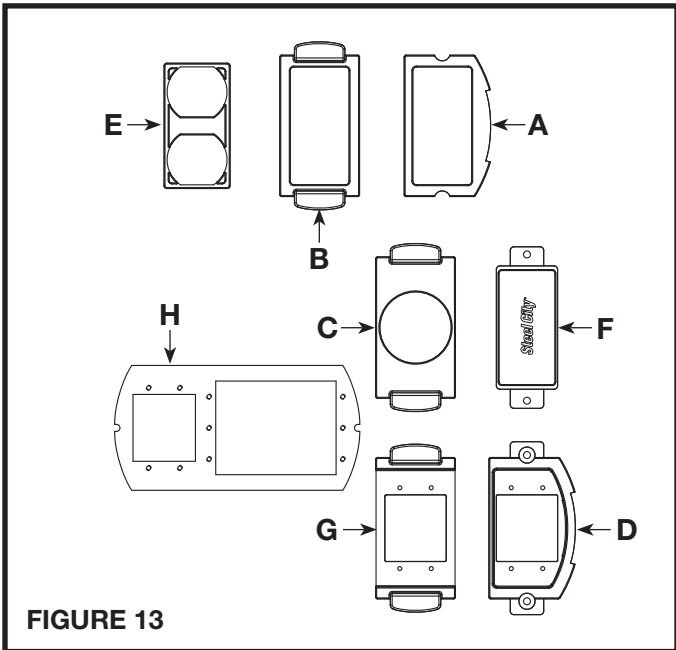


FIGURE 13

WARRANTY: Thomas & Betts sells this product with the understanding that the user will perform all necessary tests to determine the suitability of this product for the user's intended application. Thomas & Betts warrants that this product will be free from defects in materials and workmanship for a period of ninety (90) days following the date of purchase. Upon prompt notification of any warranted defect, Thomas & Betts will, at its option, repair or replace the defective product or refund the purchase price. Proof of purchase is required. Misuse or unauthorized modification of the product voids all warranties.

Limitations and Exclusions: THE ABOVE WARRANTY IS THE SOLE WARRANTY CONCERNING THIS PRODUCT, AND IS IN LIEU OF ALL OTHER WARRANTIES EXPRESS OR IMPLIED, INCLUDING BUT NOT LIMITED TO ANY IMPLIED WARRANTY OF MERCHANTABILITY OR FITNESS FOR A PARTICULAR PURPOSE, WHICH ARE SPECIFICALLY DISCLAIMED. LIABILITY FOR BREACH OF THE ABOVE WARRANTY IS LIMITED TO COST OF REPAIR OR REPLACEMENT OF THE PRODUCT, AND UNDER NO CIRCUMSTANCES WILL THOMAS & BETTS BE LIABLE FOR ANY INDIRECT, SPECIAL, INCIDENTAL OR CONSEQUENTIAL DAMAGES.