

## Window Kit Installation Instructions

### For Catalog Numbers:

NV64W	NI64W
NV66W	NI66W
NV86W	NI86W
NV88W	NI88W
NV108W	NI108W
NV1010W	NI1010W
NV1210W	NI1210W
NV1212W	NI1212W
NV1412W	NI1412W
	NI1614W

**IMPORTANT:** Read the installation instructions completely before proceeding with the product installation.

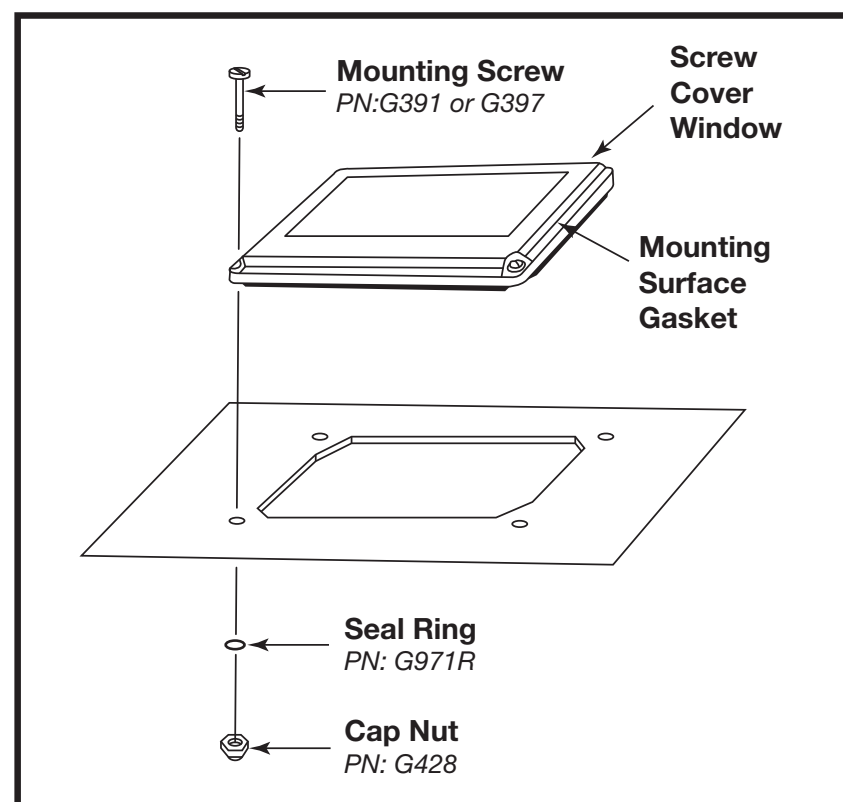
The hardware supplied with the kit permits mounting of the window to thin wall surfaces (wall thicknesses between .063" and .250").

To mount the window to thicker walls, replace the mounting screws with #8 self-threading screws.

### Mounting surface preparation:

1. Mounting surface should be smooth and flat. Uneven and wood grain surfaces may require the additional use of an RTV type sealant to effect a leak-proof seal.
2. Cut out the area where the window is to be mounted. A template is provided on the reverse side of these instructions to aid in defining the cut out limits and screw hole locations.
3. Drill out the screw locations with a #5 or #6 drill (.205" diameter).
4. Deburr or file away any irregularities in the cut out that may cause injury to the installer or end user.

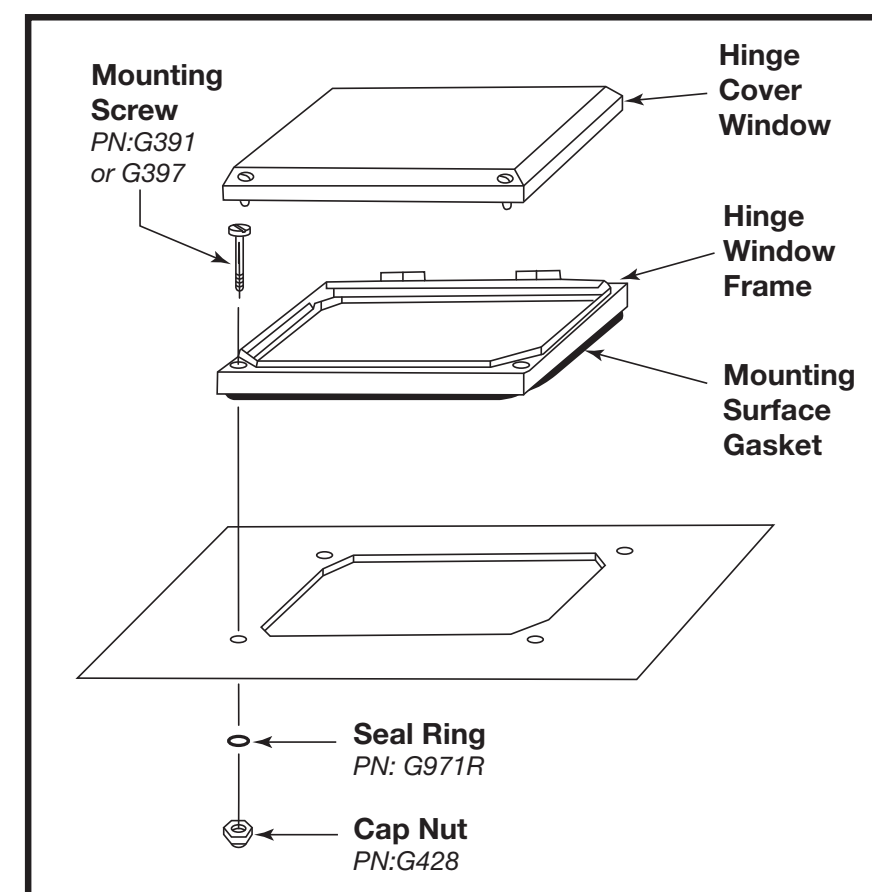
### FIXED WINDOW KITS



### Window installation:

1. Inspect the "T" shaped mounting surface gasket to be sure it is not cut or damaged, and that it is properly installed in the seal groove of the window (or window frame if installing a hinged window).
2. Verify that sufficient thread length is available to engage the cap nut after positioning the window assembly with one screw passing through the mounting surface and compressing the mounting gasket 50% of its height. Proper thread length is between 1/8" and 5/16". Replacement mounting screws are provided in the event of an improper thread length.
3. With the window in position and the mounting screws passing through the mounting surface, place a seal ring over the end of one of the screw shanks and turn on one of the cap nuts. After all four seal rings and cap nuts are installed, tighten the mounting screws to 10 in-lb of torque. (The hinge window cover must be removed to access the mounting screw holes located on the window frame.)

### HINGED WINDOW



**WARRANTY:** Thomas & Betts sells this product with the understanding that the user will perform all necessary tests to determine the suitability of this product for the user's intended application. Thomas & Betts warrants that this product will be free from defects in materials and workmanship for a period of two (2) years following the date of purchase. Upon prompt notification of any warranted defect, Thomas & Betts will, at its option, repair or replace the defective product or refund the purchase price. Proof of purchase is required. Misuse or unauthorized modification of the product voids all warranties.

**Limitations and Exclusions:** THE ABOVE WARRANTY IS THE SOLE WARRANTY CONCERNING THIS PRODUCT, AND IS IN LIEU OF ALL OTHER WARRANTIES EXPRESS OR IMPLIED, INCLUDING BUT NOT LIMITED TO ANY IMPLIED WARRANTY OF MERCHANTABILITY OR FITNESS FOR A PARTICULAR PURPOSE, WHICH ARE SPECIFICALLY DISCLAIMED. LIABILITY FOR BREACH OF THE ABOVE WARRANTY IS LIMITED TO COST OF REPAIR OR REPLACEMENT OF THE PRODUCT, AND UNDER NO CIRCUMSTANCES WILL THOMAS & BETTS BE LIABLE FOR ANY INDIRECT, SPECIAL, INCIDENTAL OR CONSEQUENTIAL DAMAGES.

