

## INSTALLATION INSTRUCTIONS

### FOR GROUNDING TRANSITION WASHER

Catalog Number Series DTSW

(catalog numbers may have alpha and/or numeric suffixes)



**NOTICE:** THIS PRODUCT IS TO BE INSTALLED BY A QUALIFIED ELECTRICIAN IN ACCORDANCE WITH NATIONAL ELECTRICAL CODE OR CANADIAN ELECTRICAL CODE REQUIREMENTS.

### INSTRUCTIONS

**NOTICE:** GROUNDING TRANSITION WASHERS ARE DESIGNED FOR BONDING ALUMINUM PANEL FRAMES TO STEEL OR ALUMINUM STRUT (1-5/8" & 1-1/2" WIDTH) OR STRUCTURAL MEMBERS WITH A MINIMUM CROSS SECTION OF .354 in<sup>2</sup>.

1. Install a minimum of two grounding transition washers for each panel. Washers may be at opposite corners. For end panels place two washers on the same side, see figure 1.

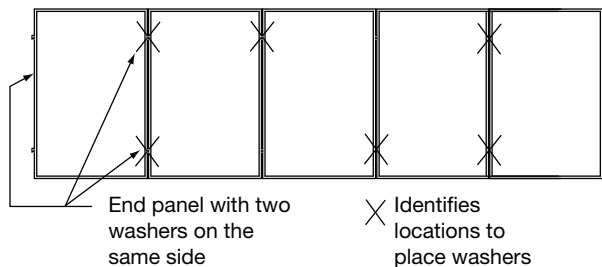


FIGURE 1

**NOTICE:** GROUNDING TRANSITION WASHERS ARE DESIGNED FOR USE WITH PANELS THAT HAVE A FLUSH, UNINTERRUPTED BONDING SURFACE (SEE FIGURE 2).

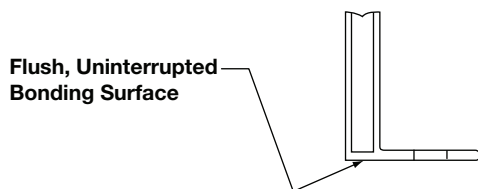


FIGURE 2

2. Using a clamp with a 1/4" bolt, place washer between panel frame and strut or structural member. Place washer so rows of teeth on washer run parallel with strut rails. Place washer with one panel in place then install second panel, reference figure 3 below.

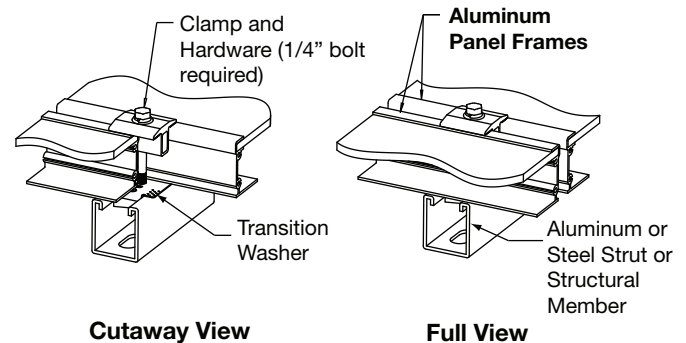
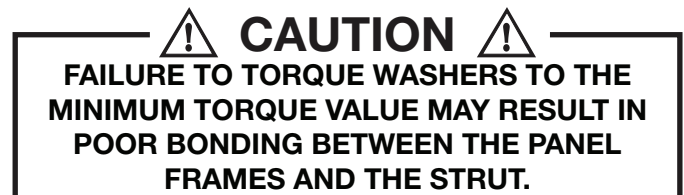


FIGURE 3

3. With both panels installed, torque the bolt to a minimum value of 100 lbs-in.



4. After complete assembly of the panels, perform a continuity check between the panel frames and the support strut or structural member.

**NOTICE:** GROUNDING TRANSITION WASHERS ARE FOR ONE-TIME USE ONLY. IN THE EVENT A PANEL NEEDS TO BE REMOVED FOR MAINTENANCE, REPLACE THE WASHERS WITH NEW ONES BEFORE RE-ASSEMBLY.

**Thomas & Betts**

Limited Warranty Applies. Refer to: [www.tnb.com/ecpwarranty](http://www.tnb.com/ecpwarranty) for full warranty terms.

Thomas & Betts Corporation  
Memphis, Tennessee  
[www.tnb.com](http://www.tnb.com)