



Installation Instructions for Door Switch (DN415)

Description:

The DN415 Door Switch is an all-purpose electric door switch for indoor use on sliding or hinged doors in locations like closets, darkrooms and walk-in refrigerators.

The DN415 switch contains a normally-closed contact, so that the circuit will be ON when the door is opened (switch not depressed).

Parts Include:

- Faceplate Door Switch Assembly
- Backbox with access for threaded 1/2" conduit.
- 2 Flat Head Screws #6 x 1/4"
- 4 Wood Screws

Specifications:

Cat. No.	AC Voltage	AC AMPS
DN415	125	5

Thomas & Betts Corporation
Memphis, Tennessee
www.tnb.com

© 2013 Thomas & Betts. All Rights Reserved.

TA04740 A Page 1 of 1

Installation Instructions:

1. Select a mounting location for the Door Switch. Install the Backbox using the four wood screws.
2. Feed the incoming 125Vac Power Lines and Ground Wire through the Access Port and into the Backbox (Figure 2).
3. Secure the ground wire to the .35" deep stand-off on the floor of the Backbox (ref "GR") using a self tapping ground screw. Connect the two Wire Leads coming from the Door Switch assembly to the 125Vac Power Lines using wire connectors (Figures 2 & 3).
4. Push the connected wires into the Backbox.
5. Attach the Faceplate to the Backbox using the two #6 Flat Head Screws (Figure 3).

Thomas & Betts

A Member of the ABB Group

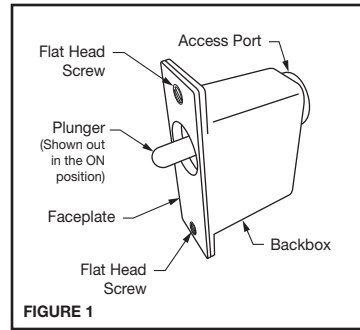


FIGURE 1

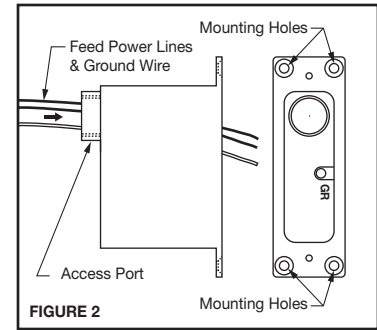


FIGURE 2

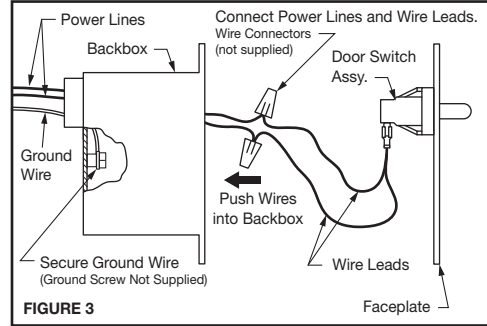


FIGURE 3

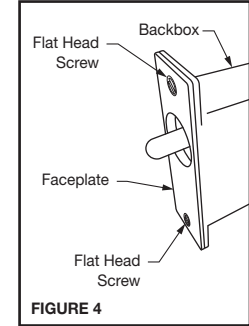


FIGURE 4

WARRANTY: Thomas & Betts sells this product with the understanding that the user will perform all necessary tests to determine the suitability of this product for the user's intended application. Thomas & Betts warrants that this product will be free from defects in materials or workmanship for a period of two (2) years following the date of purchase. Upon prompt notification of any warranted defect, Thomas & Betts will, at its option, repair or replace the defective product. Misuse, misapplication or modification of Thomas & Betts Products immediately voids all warranties.

Limitations and Exclusions: THE ABOVE WARRANTY IS THE SOLE WARRANTY CONCERNING THIS PRODUCT, AND IS IN LIEU OF ALL OTHER WARRANTIES EXPRESS OR IMPLIED, INCLUDING BUT NOT LIMITED TO ANY IMPLIED WARRANTY OF MERCHANTABILITY OR FITNESS FOR A PARTICULAR PURPOSE, WHICH ARE SPECIFICALLY DISCLAIMED. LIABILITY FOR BREACH OF THE ABOVE WARRANTY IS LIMITED TO COST OF REPAIR OR REPLACEMENT OF THE PRODUCT, AND UNDER NO CIRCUMSTANCES WILL THOMAS & BETTS BE LIABLE FOR ANY INDIRECT, SPECIAL, INCIDENTAL OR CONSEQUENTIAL DAMAGES.