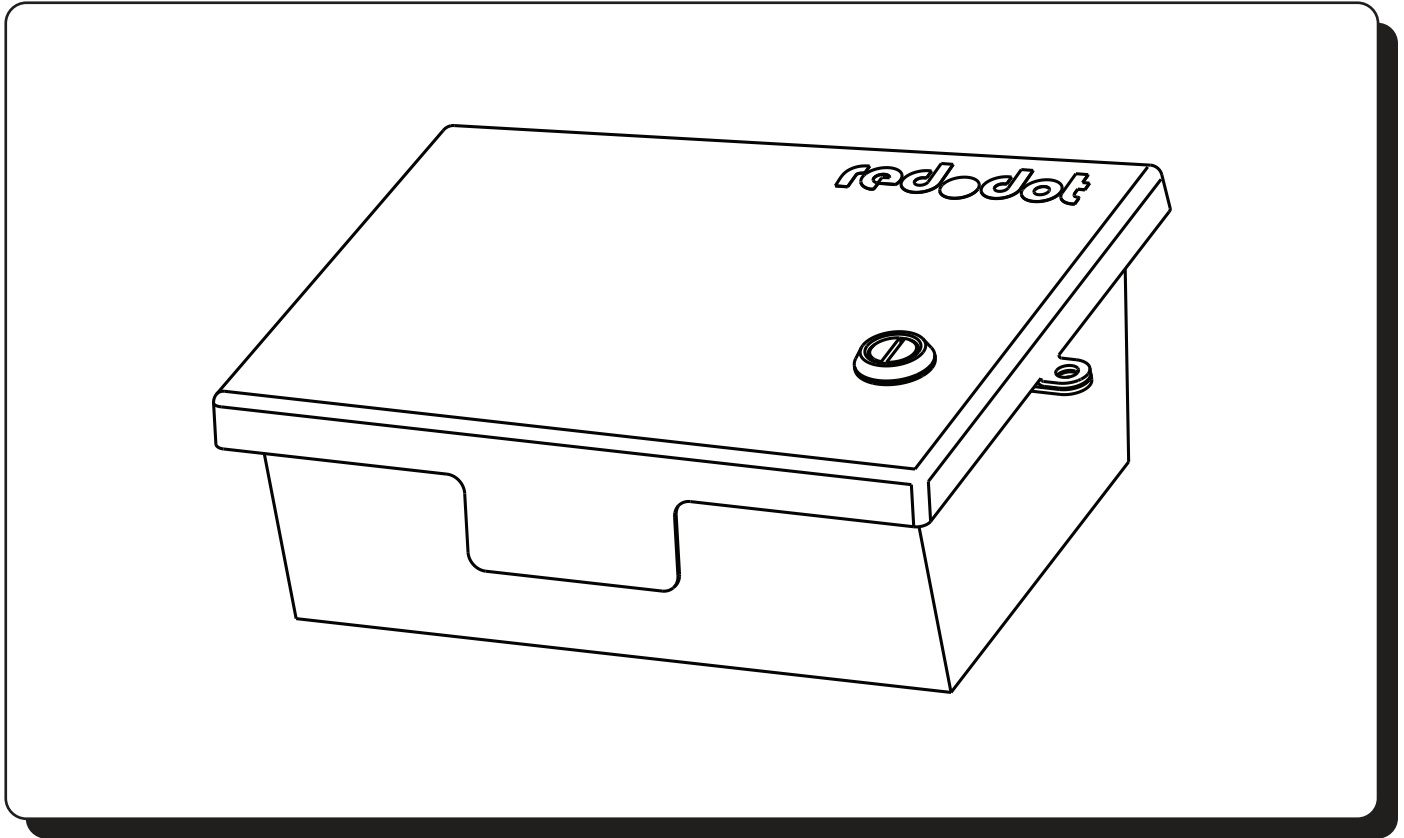


## SSE Series While In Use Box & Cover Installation



### TABLE OF CONTENTS


	Page		Page
<b>1.0 SUMMARY</b> .....	<b>2</b>	<b>3.0 CONDUIT PENETRATION</b> .....	<b>5</b>
1.1 Description.....	2	3.1 Conduit Penetration .....	5
1.2 Warnings.....	2	<b>4.0 DEVICE INSTALLATION</b> .....	<b>7</b>
1.3 Included .....	2	4.1 Device Installation.....	7
1.4 Basic Functions.....	3	<b>5.0 GENERAL USAGE</b> .....	<b>8</b>
<b>2.0 MOUNTING</b> .....	<b>4</b>	5.1 General Usage .....	8
2.1 Mounting.....	4		
2.2 General Mounting.....	4		
2.3 Wall Mounting .....	4		

**1.1 DESCRIPTION**

The Red-Dot Stainless Steel While-in-Use Box & Cover (Cat # SSE) has been designed to service a number of industries that require products with a greater level of protection & hygienic qualities. The SSE stands out from the competition by offering customers:

- UL-4X (3R While in Use)
- UL 514 Extra-Duty
- NSF Certified
- 316 Stainless Steel Construction
- Sloped Surfaces
- Accommodates up to a 30A Twist-Lock Receptacle

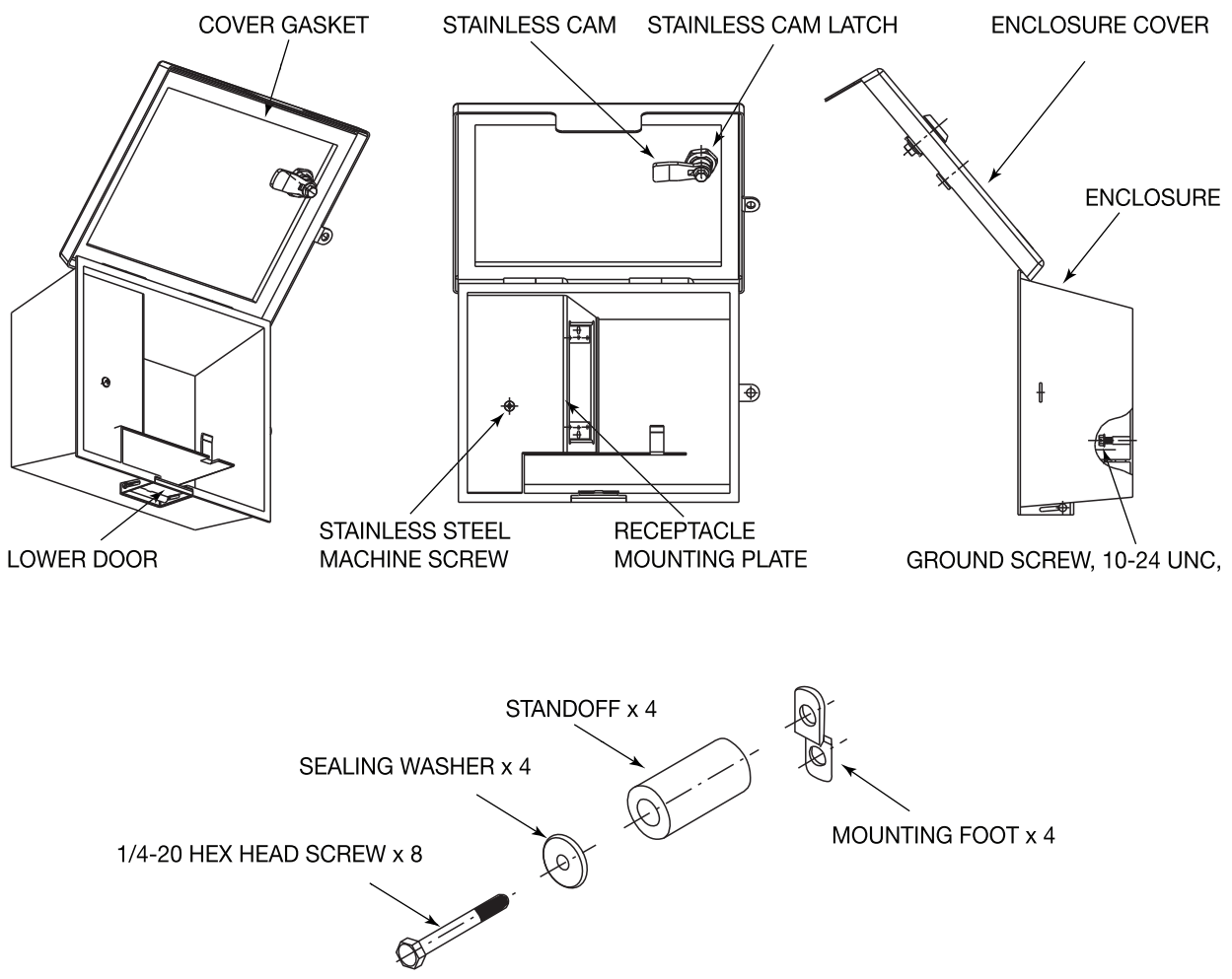
**1.2 WARNINGS**



**⚠ WARNING ⚠**

**ELECTRICAL SHOCK HAZARD. DISCONNECT THE ELECTRICAL SUPPLY POWER TO THE OUTLET PRIOR TO INSTALLATION. CONSULT A QUALIFIED ELECTRICIAN IF YOU HAVE ANY QUESTIONS.**

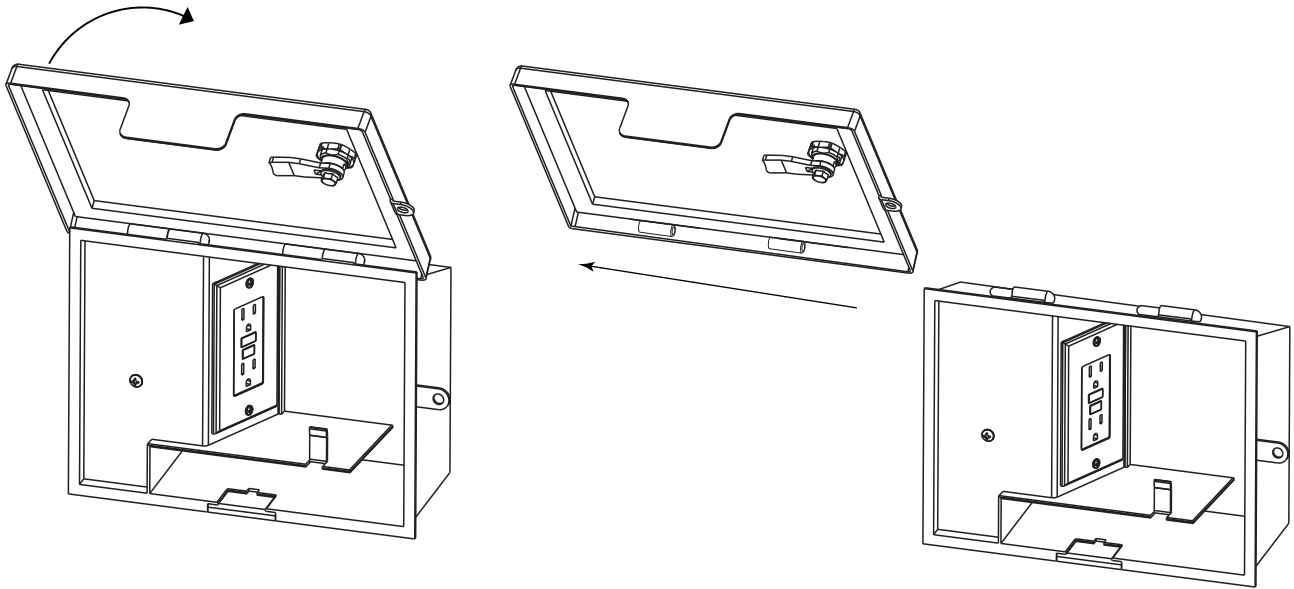
**1.3 INCLUDED**



Mounting Kit (INCLUDED WITH ASSEMBLY), (20) PCS

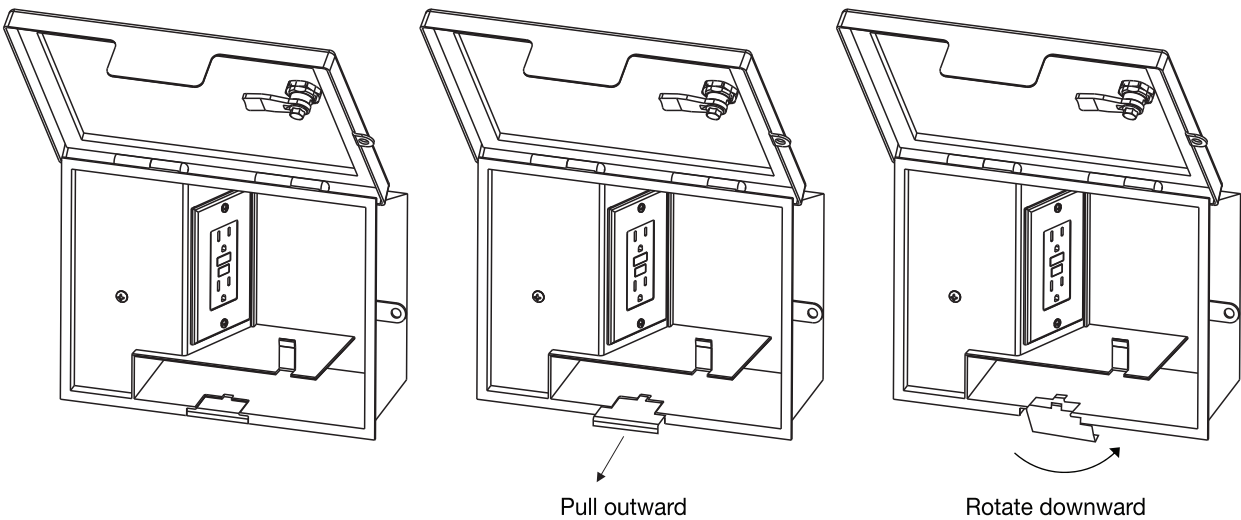
**Cover Removal:**

The cover can be removed for ease of installation, cleaning, etc. To remove, open cover to max travel and slide off of hinges in direction shown.

**Lower Door Operation:**

The lower door can be opened (while In Use) and closed (While not in use). When closed, the lower door provides protection against exterior conditions, as well as providing a continuous gasket sealing face.

When open, the lower door provides power cord penetration. To open the lower door, pull forward and rotate downward as show.



## 2.0

## Mounting

### 2.1

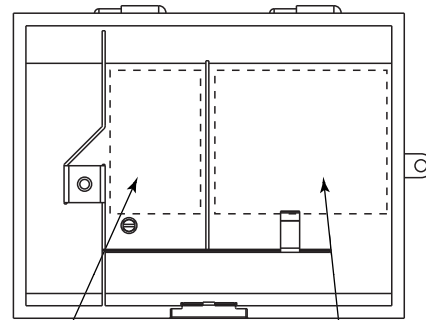
### MOUNTING

Mounting holes are to be drilled by the installer within the acceptable marked areas. A minimum of (2) mounting points are required.

**Thru-Hole Size:**

**Min: 17/64"**

**Max: 5/8"**



2.5"W x 3.75"H

4.5"W x 3.75"H

**\*\* Remove Cover for Ease of Installation \*\***

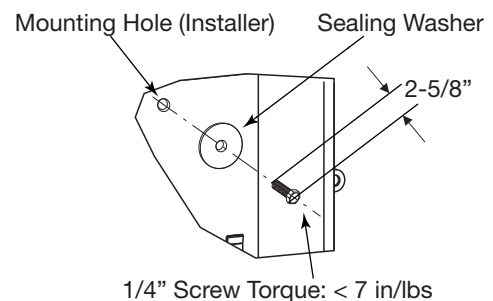
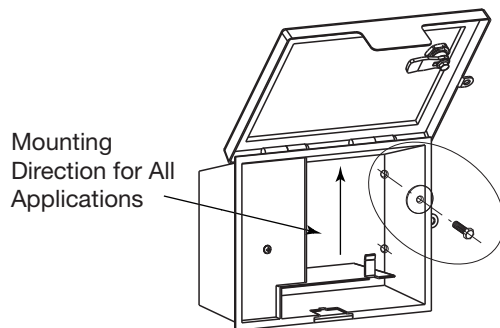
**( Drill Mounting Holes only within Areas Shown. )**

### 2.2

### GENERAL MOUNTING

Attach to the wall, bracket, or other support structures using the supplied hardware (1/4" screws, sealing washers & nuts). The provided sealing washers must be used in order to maintain the protection rating of the assembly. These sealing washers are to be installed on the interior of the box, with the elastomer portion resting on the rear enclosure wall. To ensure a proper seal using the sealing washers, do not tighten 1/4" bolts more than 7 in/lbs.

**(4) standoffs are provided (not shown) and can be used when clearance from mounting surface is needed.**



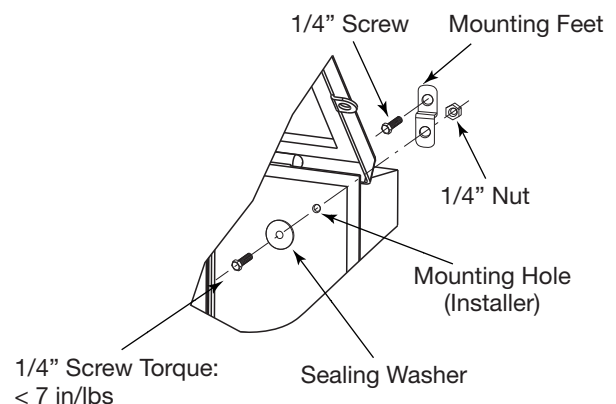
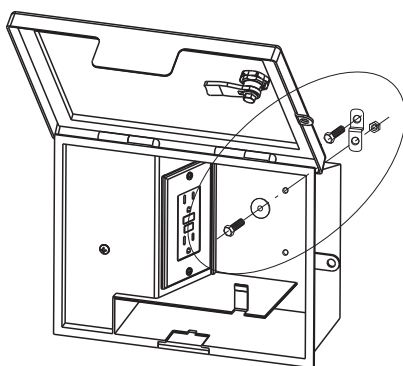
1/4" Screw Torque: < 7 in/lbs

**\*\* Note: Use Minimum of (2) Mounting Points \*\***

### 2.3

### MOUNTING (Wall / Type 4X)

In all direct wall mount and Type 4X applications, the use of mounting feet is required. The procedure & hardware listed in the above section should be used when mounting the feet to the box. (Mounting Feet: CDS020762)



1/4" Screw Torque: < 7 in/lbs

**\*\* Note: Use Minimum of (2) Mounting Points \*\***

3.0

CONDUIT PENETRATION

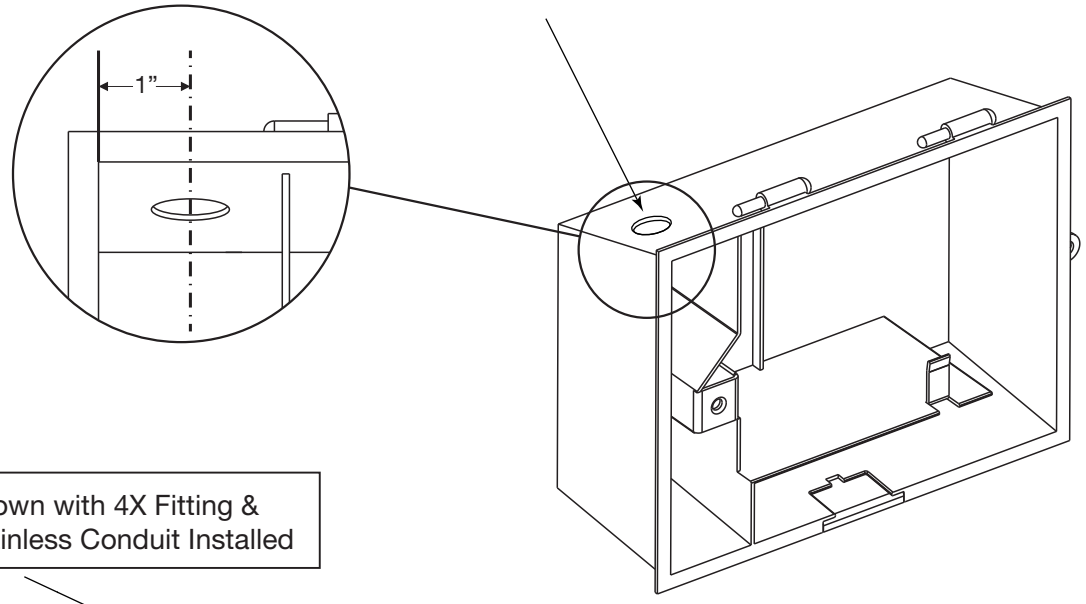
3.1

CONDUIT PENETRATION

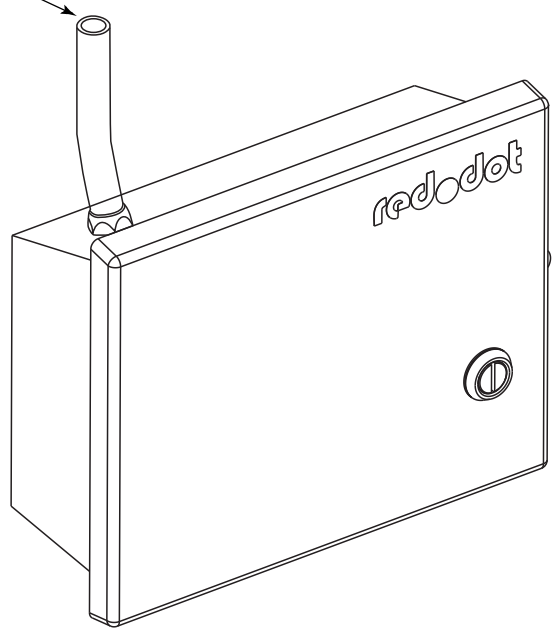
- Use only conduit UL TYPE 4X hubs in order to maintain a 4X rating.
  - Install hubs and conduit according to the hub manufacturer's instructions.
- 1) Punch or drill the correct hole for the size of conduit to be used (see table below).
  - 2) Secure the conduit with the appropriate locking hardware specified by the conduit manufacturer.

Top Penetration Shown. Bottom Penetration is Optional per Installer Application

CONDUIT SIZE	HOLE SIZE
1/2"	7/8"
3/4"	1-1/8"
1"	1-3/8"

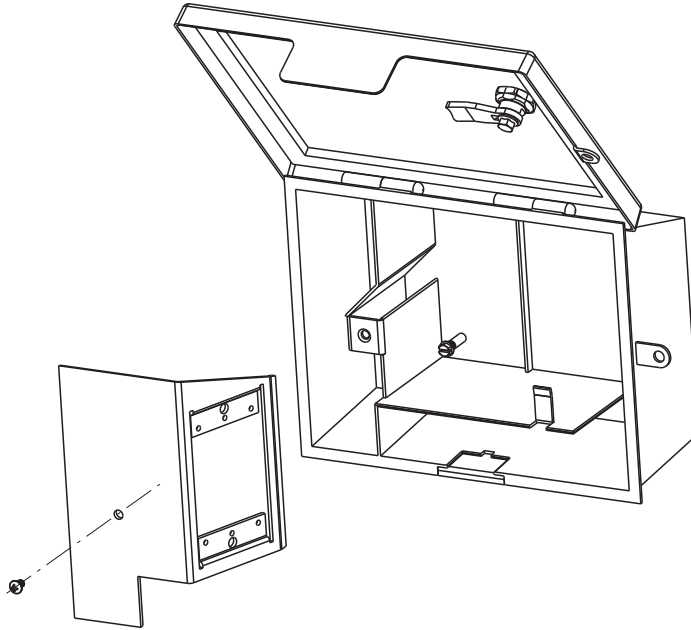


Shown with 4X Fitting & Stainless Conduit Installed



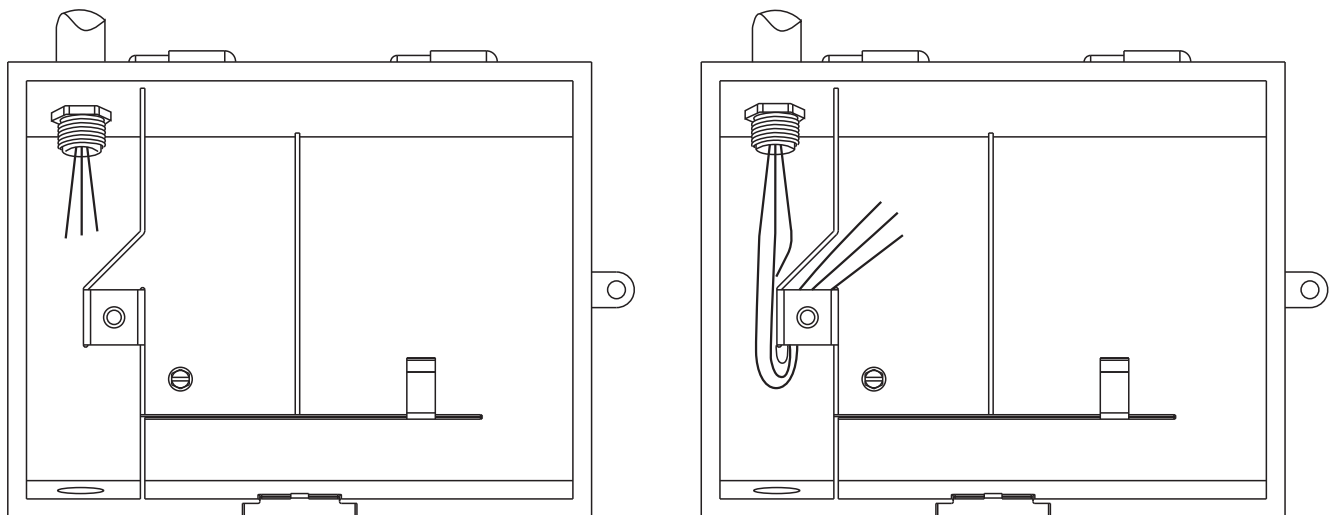
- 1) Remove receptacle mounting plate from box.

**WARNING**  
**ELECTRICAL HAZARD!**  
**TURN POWER OFF!**



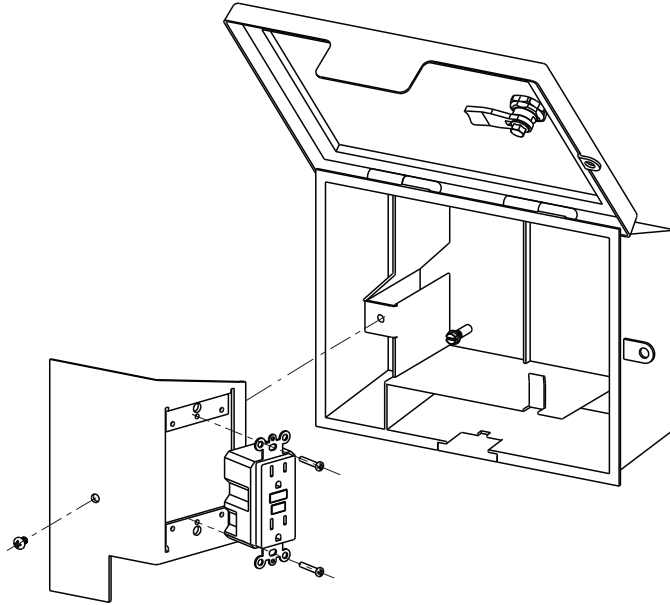
**Ensure that all electrical power is disconnected and that wires are de-energized**

- 2) Feed wiring through conduit and into conduit compartment.
- 3) Route wires through drip loop entry way as shown.

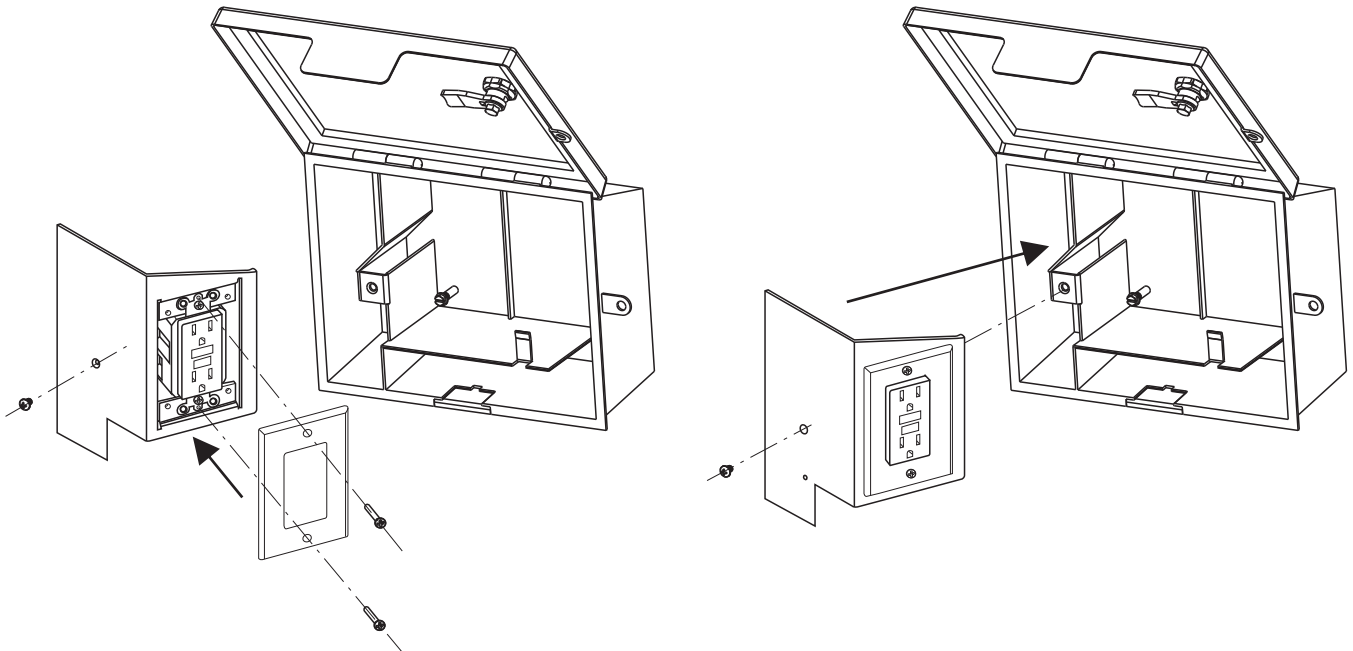


**Ensure that all electrical power is disconnected and that wires are de-energized**

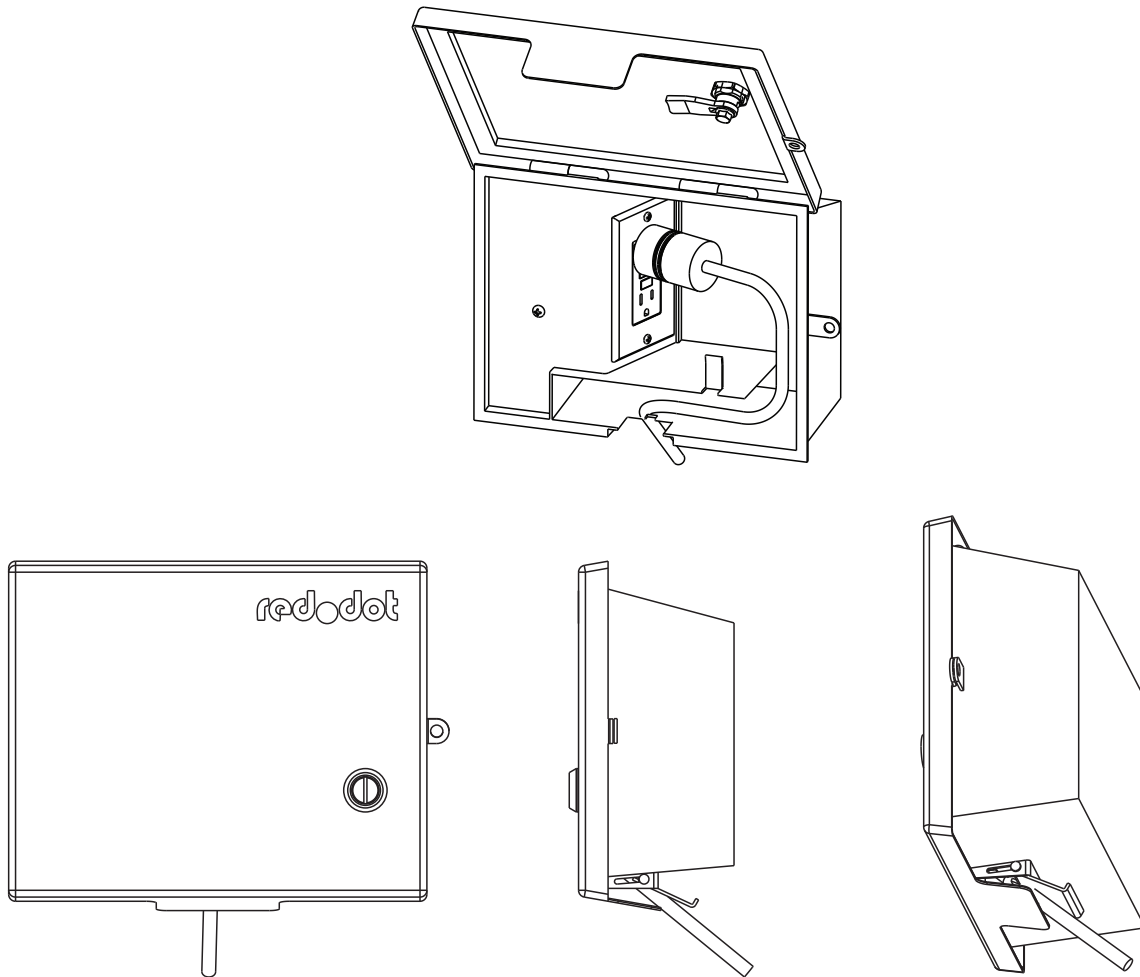
- 4) Attach ground conductor from flexible cord and feed wire to terminal screw on the grounding post.
- 5) Connect power wires to device.
- 6) Select device and mount using screws (not included).



- 7) Install appropriate wall plate (not included).
- 8) Install receptacle mounting plate into enclosure.



- 1) The SSE is UL TYPE 4X while hood is down.
- 2) In order to use this enclosure, open the lower door to allow the electrical cord to exit the enclosure.
- 3) Route the electrical cord as shown.
- 4) Cover can now be closed. In order to ensure proper seal, compress cover and rotate cam latch 90 degrees counter clockwise.
- 5) When no longer in use, remove any electrical cord, close lower door, close enclosure cover and latch as shown.



**\*\* Note: While In Use with cover closed and latched. \*\***

For Parts or Service, contact Thomas & Betts Tool Service Center at 1-800-284-TOOL (8665)

**WARRANTY:** Thomas & Betts sells this product with the understanding that the user will perform all necessary tests to determine the suitability of this product for the user's intended application. Thomas & Betts warrants that this product will be free from defects in materials or workmanship for a period of two (2) years following the date of purchase. Upon prompt notification of any warranted defect, Thomas & Betts will, at its option, repair or replace the defective product. Misuse, misapplication or modification of Thomas & Betts Products immediately voids all warranties.

**Limitations and Exclusions:** THE ABOVE WARRANTY IS THE SOLE WARRANTY CONCERNING THIS PRODUCT, AND IS IN LIEU OF ALL OTHER WARRANTIES EXPRESS OR IMPLIED, INCLUDING BUT NOT LIMITED TO ANY IMPLIED WARRANTY OF MERCHANTABILITY OR FITNESS FOR A PARTICULAR PURPOSE, WHICH ARE SPECIFICALLY DISCLAIMED. LIABILITY FOR BREACH OF THE ABOVE WARRANTY IS LIMITED TO COST OF REPAIR OR REPLACEMENT OF THE PRODUCT, AND UNDER NO CIRCUMSTANCES WILL THOMAS & BETTS BE LIABLE FOR ANY INDIRECT, SPECIAL, INCIDENTAL OR CONSEQUENTIAL DAMAGES.