

STEEL CITY[®] WOOD FLOOR BOX INSTALLATION INSTRUCTIONS

For New Construction (New Work)

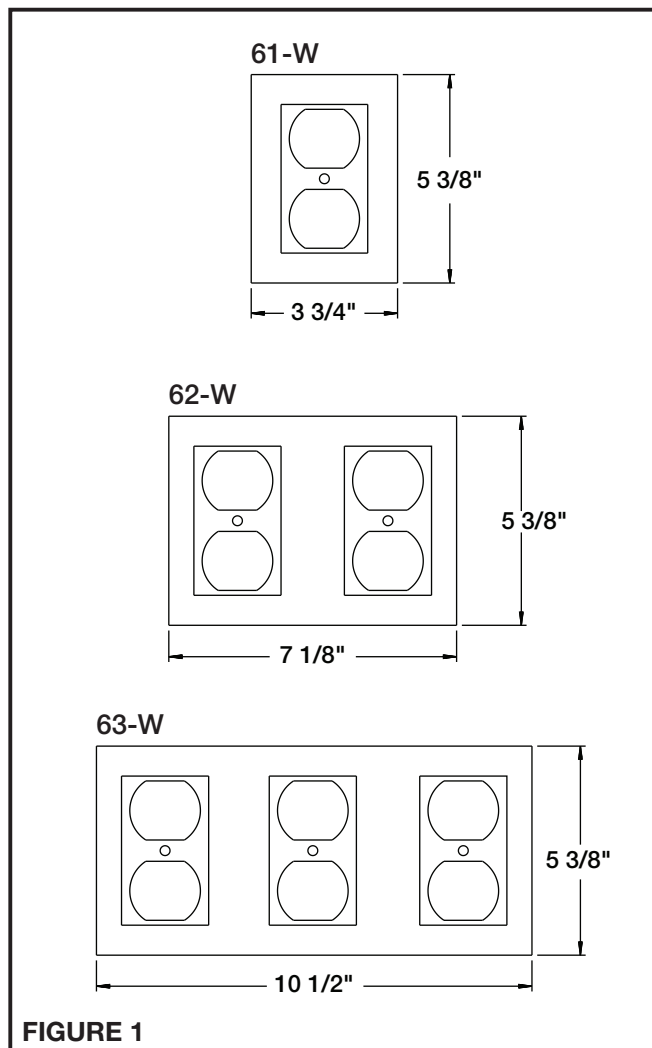
Models: 61-W ~ Single Gang

62-W ~ Double Gang

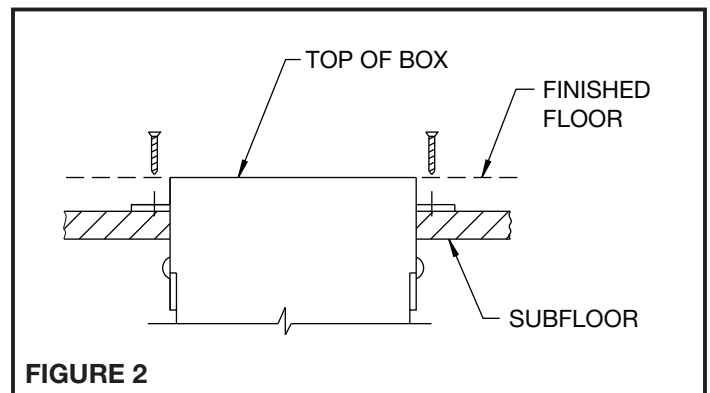
63-W ~ Triple Gang

INSTALLATION PROCEDURE

1. Determine desired position of the box, then cut a hole in the floor per the dimensions found in figure 1 for each model.



2. Remove closure plate to allow access to inside of box. Clear the contents of box, then loosen nuts around the carriage bolts on each side of the box. This will allow adjustment of the slotted brackets.
3. Place box into hole with slotted bracket resting on the edge of subfloor. Secure with provided wood screws.
4. Slide box into position so that the top edge of the box will be flush with the finished floor. Re-tighten nuts to prevent box from becoming misaligned (Refer to Figure 2).



5. Replace unused components, then fasten closure plate back onto box to keep debris and other objects clear.
6. See steps #4 and #5 on reverse side for final installation instructions.

STEEL CITY® WOOD FLOOR BOX INSTALLATION INSTRUCTIONS For Existing Construction (Old Work)

Models: 61-W ~ Single Gang
62-W ~ Double Gang
63-W ~ Triple Gang

WARNING



DISCONNECT POWER BEFORE INSTALLATION



INSTALLATION PROCEDURE

1. Determine desired position of the box, then cut a hole in the floor per the dimensions found in figure 3 for each model.

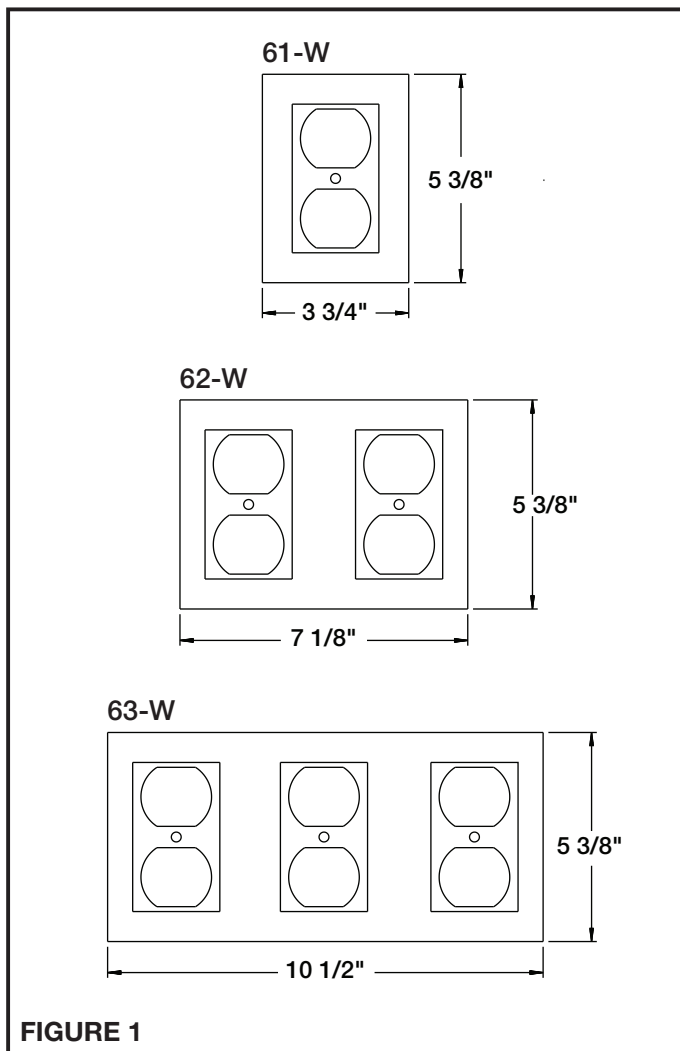
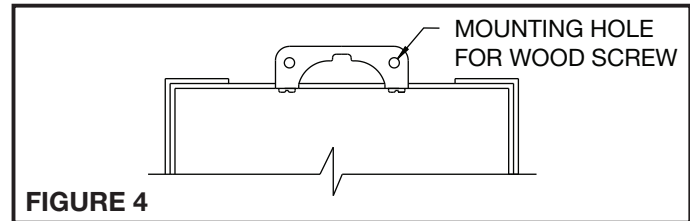


FIGURE 1

2. Remove closure plate and slotted brackets from box. Contained inside are two mounting brackets. Fasten brackets to inside walls of box with the #8-32 x 5/32 lg. screws provided. Top leg of bracket should extend outward from the box to rest on floor edge. See figure 4.



3. Remove necessary knockouts for wiring. Place box into hole and secure with wood screws. One screw in either hole of each bracket is sufficient.



CAUTION



Mounting brackets are not designed to withstand a load without the carpet plate installed.

4. Install desired devices per manufacturer's instructions. Install wired devices to the brass carpet plate. Use the grounding screw provided when installing an electrical device. The partition provided must be installed when high and low tension devices are used together.
5. Install rubber gasket under the carpet plate and place over box. Secure device covers and carpet plate with #8-32 x 1-1/2" lg. brass screws provided with box.

WARRANTY: Thomas & Betts sells this product with the understanding that the user will perform all necessary tests to determine the suitability of this product for its intended use. Thomas & Betts manufactures its goods and tools in a manner to be free of defects. Should any defect occur in its goods within two (2) years (or tools within time stated on warranty card) of date of purchase, Thomas & Betts, upon prompt notification, will at its option, exchange or repair the goods or tools or refund the purchase price. Proof of purchase required.

Limitations and Exclusions: THIS WARRANTY IS IN LIEU OF ALL OTHER REPRESENTATIONS AND EXPRESSED AND IMPLIED WARRANTIES (INCLUDING THE IMPLIED WARRANTIES OF MERCHANTABILITY AND FITNESS FOR USE), AND UNDER NO CIRCUMSTANCES SHALL THOMAS & BETTS BE LIABLE FOR ANY INCIDENTAL OR CONSEQUENTIAL DAMAGES OR LOSSES OF ANY KIND.