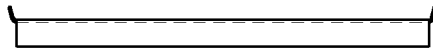
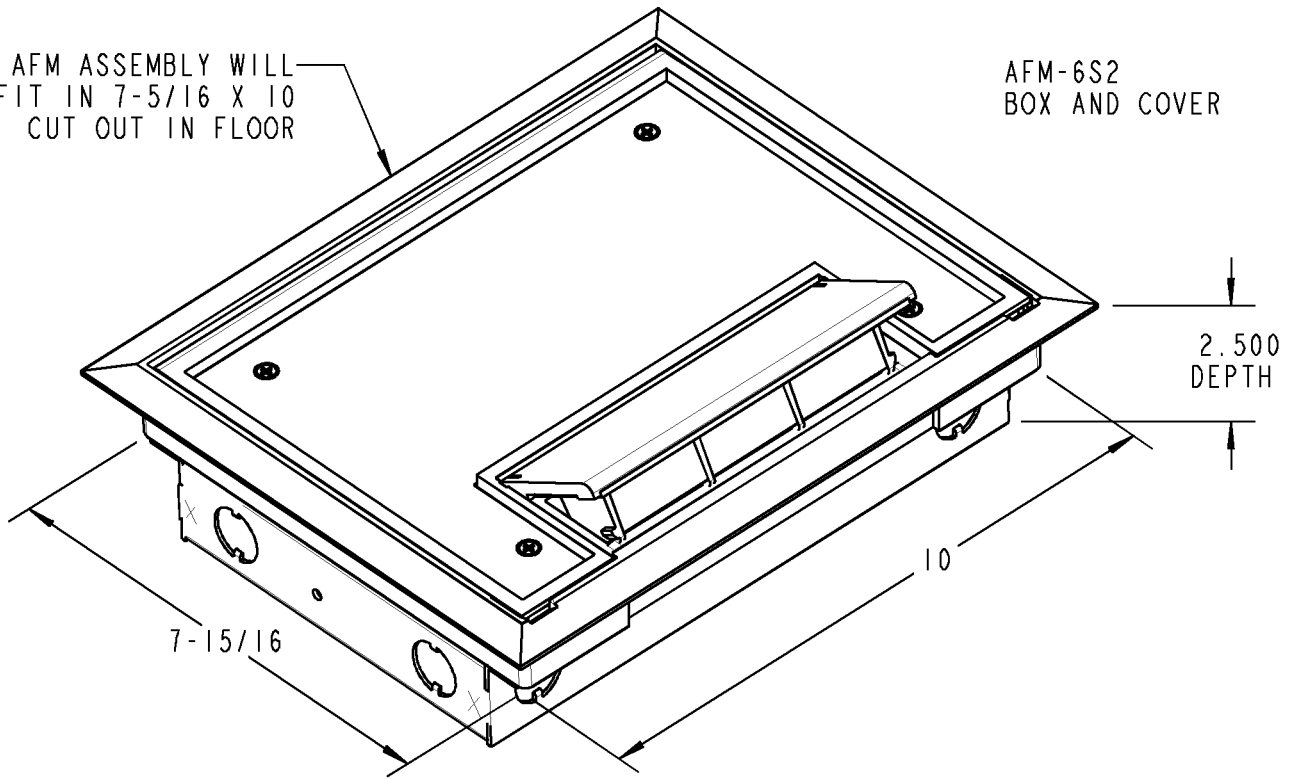
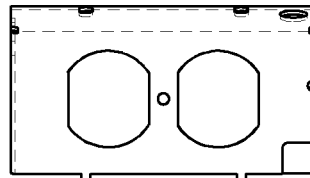


AFM ASSEMBLY WILL  
FIT IN 7-5/16 X 10  
CUT OUT IN FLOOR

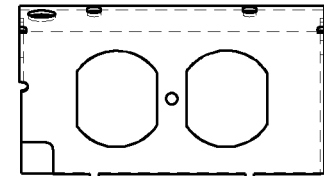
AFM-6S2  
BOX AND COVER



WIRING TUNNEL



LEFT POWER PANEL



RIGHT POWER PANEL

**NOTES:**

1. ACCESS FLOOR MODULE COMES COMPLETE WITH LEFT AND RIGHT POWER PANELS AND WIRING TUNNEL.
2. ADDITIONAL STYLE POWER PANELS AND DATA PANELS CAN BE ORDERED SEPARATELY.
5. BOX CAN HOLD ONE LEFT AND RIGHT POWER PANEL AND TWO DATA PANELS.

ACCESS FLOOR MODULE, BROWN COVER	AFM-6S2-BRN
ACCESS FLOOR MODULE, BEIGE COVER	AFM-6S2-BGE
ACCESS FLOOR MODULE, GRAY COVER	AFM-6S2-GRY
ACCESS FLOOR MODULE, BLACK COVER	AFM-6S2-BLK
DESCRIPTION	CAT. NUMBER

GENERAL NOTES		<b>Thomas &amp; Betts</b> <small>www.tnb.com</small>			
1. DIMENSIONS IN PARENTHESES ( ) ARE IN METRIC UNITS.		<b>DESCRIPTION:</b> <b>AFM-6S2</b> <b>ACCESS FLOOR MODULE</b>			
REVISIONS		ORIGINAL PROJECT NO / ( ERN NO )	SHEET NO:	REV. NO:	DRAWING NO:
SEE ERN ( .... ) FOR APPROVAL SIGNATURES		UM400384 / ( 2002787 )	1 OF 1	-	<b>WSD-000044</b>
PROJECT NO: ....					