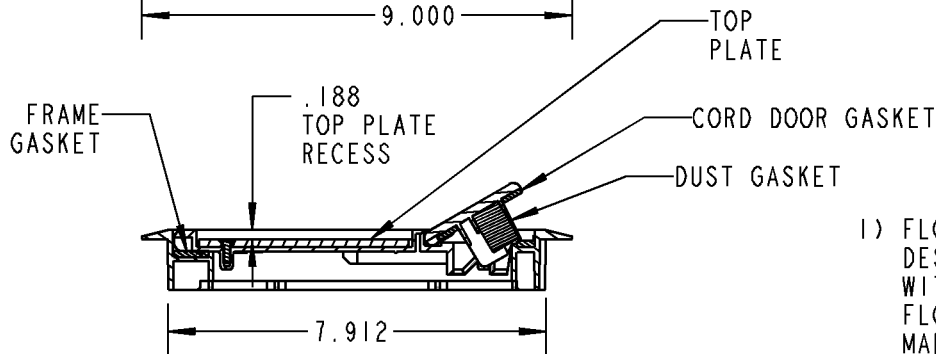
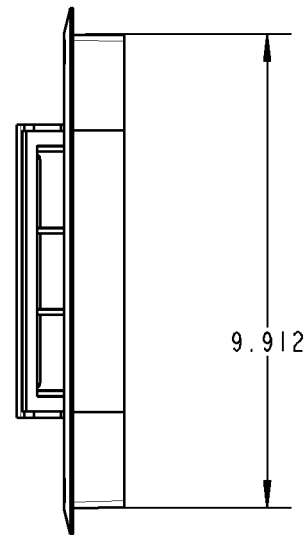
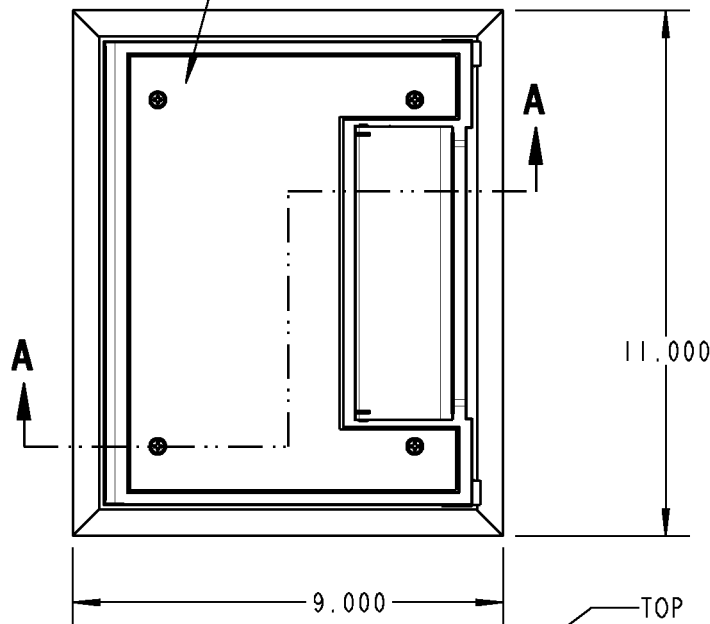


5/32 STEEL TOP PLATE ON LID.
CARPET OR TILE CAN BE GLUED
ON TOP PLATE.

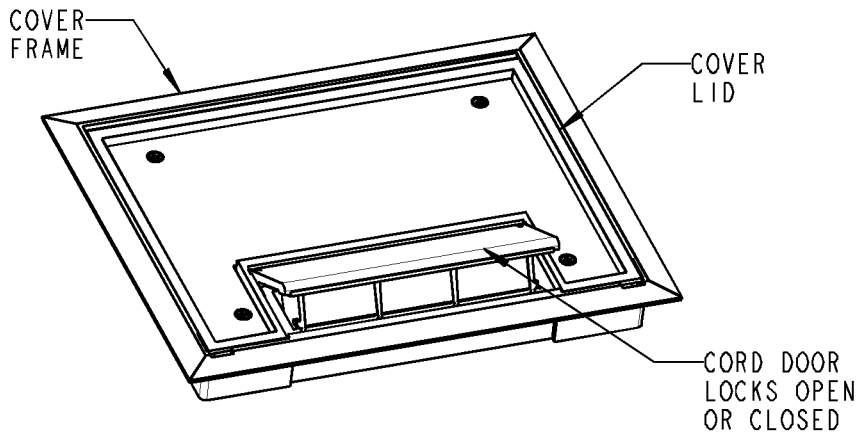


SECTION A-A

1) FLOOR BOX COVER
DESIGNED FOR USE
WITH AFM6 SERIES
FLOOR BOXES.
MADE FROM HIGH STRENGTH
POLYCARBONATE WITH
5/32 STEEL TOP PLATE.

2) MOPTIGHT. FACTORY INSTALLED
GASKETS. EXCEEDS
UL SCRUB-WATER
REQUIREMENTS FOR
TILE, CARPET AND WOOD FLOORS.

3) AVAILABLE IN FOUR COLORS.
-XXX DENOTES COLOR
-BLK = BLACK
-GRY = GRAY
-BGE = BEIGE
-BRN = BROWN



GENERAL NOTES		Thomas & Betts <small>www.tnb.com</small>			
1. DIMENSIONS IN PARENTHESES () ARE IN METRIC UNITS.					
REVISIONS		AFM6-CST-SW-XXX CONCEALED SERVICE TOP			
SEE ERN () FOR APPROVAL SIGNATURES	ORIGINAL PROJECT NO / (ERN NO)	SHEET NO:	REV. NO:	DRAWING NO:	
PROJECT NO:	UD55453 / (2002995)	1 OF 1	0	WSD-000059	