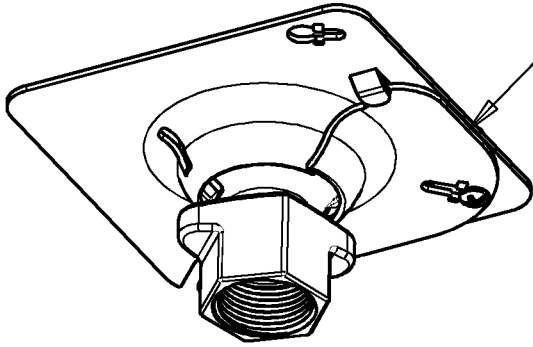




# Steel City

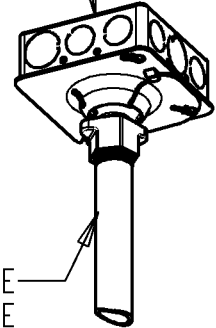


COVER CAN BE  
MOVED OUT OF  
THE WAY TO  
HANG FIXTURE  
AND CONNECT  
ELECTRICAL  
CONDUCTORS

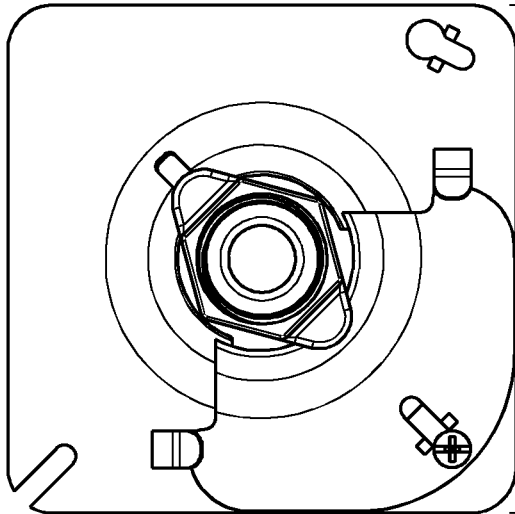


1/2-3/4" REDUCER  
FURNISHED

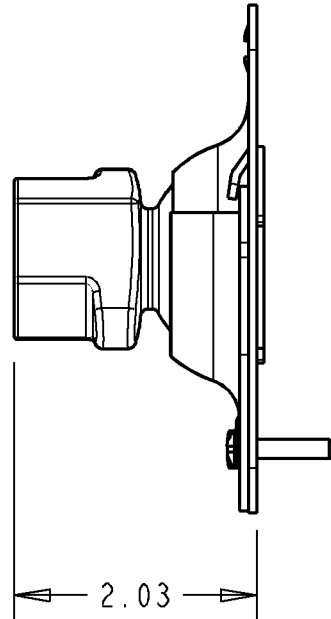
BOX  
(REF)



FIXTURE  
PIPE  
(REF)



4.25  
SQUARE



2.03

### NOTES:

1. FOR USE WITH 4" SQUARE STEEL BOXES
2. PERMITS 20-DEGREE SWING FROM VERTICAL
3. ACCOMMODATES 1/2" OR 3/4" THREADED FIXTURE PIPE
4. DESIGNED FOR 50 LBS. MAXIMUM FIXTURE SUPPORT  
(NOT DESIGNED FOR CEILING FAN SUPPORT)
5. STEEL PLATE/COVER WITH MALLEABLE IRON SWIVEL CONNECTOR
6. ALL PARTS ZINC PLATED

#### GENERAL NOTES

1. ALL DIMENSIONS ARE FOR REFERENCE ONLY.
2. DIMENSIONS IN BRACKETS [ ] ARE IN METRIC UNITS.

#### REVISIONS

\*\* SEE ERN ( \*\*\*\* )  
FOR APPROVAL SIGNATURES  
& RELEASE DATE.  
PROJECT NO: \*\*\*\*

## Thomas & Betts

www.tnb.com

DESCRIPTION:

**SHHF1234  
SQUARE HANDS FREE SWIVEL HANGER**

ORIGINAL PROJECT NO / ( ERN NO )

**ND55527 / ( 2004988 )**

SHEET NO:

**1 OF 1**

REV. NO:

**-**

DRAWING NO:

**WSD-000081**