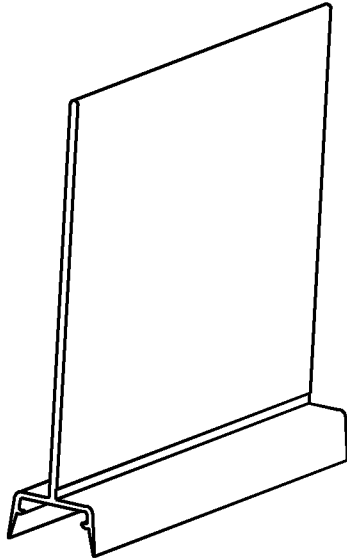
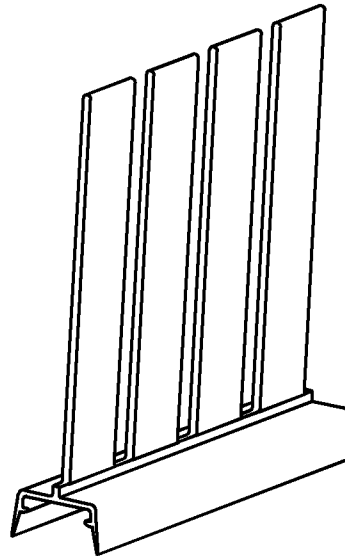


Ty-Duct




SOLID WALL

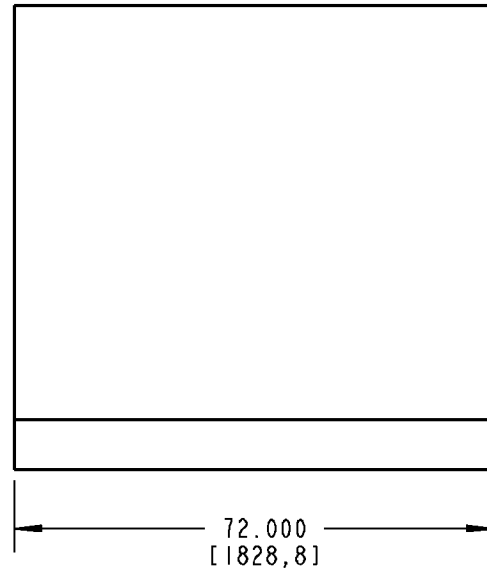
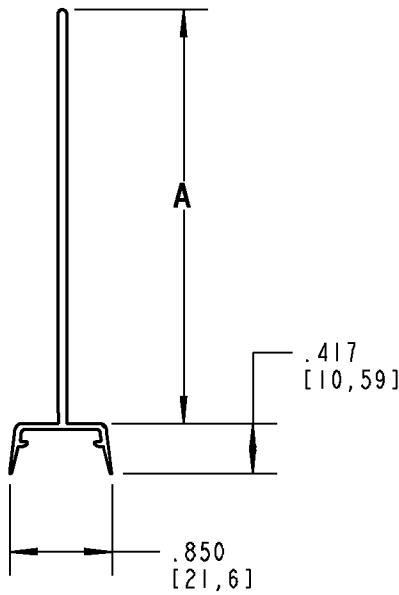


SLOTTED WALL

NOTES:

1. MATERIAL: RIGID PVC
2. TEMPERATURE RATING: -40°F [-40°C] TO 122°F [50°C]
3. FLAMMABILITY RATING: UL94V-0

GENERAL NOTES		 <small>www.tnb.com</small>			
1. ALL DIMENSIONS ARE FOR REFERENCE ONLY. 2. DIMENSIONS IN BRACKETS [] ARE IN METRIC UNITS.					
REVISIONS					
1	SEE ERN 2006234 FOR APPROVAL SIGNATURES & RELEASE DATE. PROJECT NO: FD55400	ORIGINAL PROJECT NO / (ERN NO) FD55400 / (2005724)	SHEET NO: 1 OF 3	REV. NO: 1	DRAWING NO: WSD-000189



CATALOG NO.	A
TY1DSP*6	.550 [13,97]
TY1.5DSP*6	1.000 [25,4]
TY2DSP*6	1.494 [37,95]
TY3DSP*6	2.420 [61,47]
TY4DSP*6	3.450 [87,63]
TY5DSP*6	4.411 [112,04]

* = COLOR CODE

B = BLACK G = GRAY I = INTRINSIC BLUE W = WHITE

Thomas & Betts
www.tnb.com

DESCRIPTION:

WIRING DUCT DIVIDER

SHEET NO:

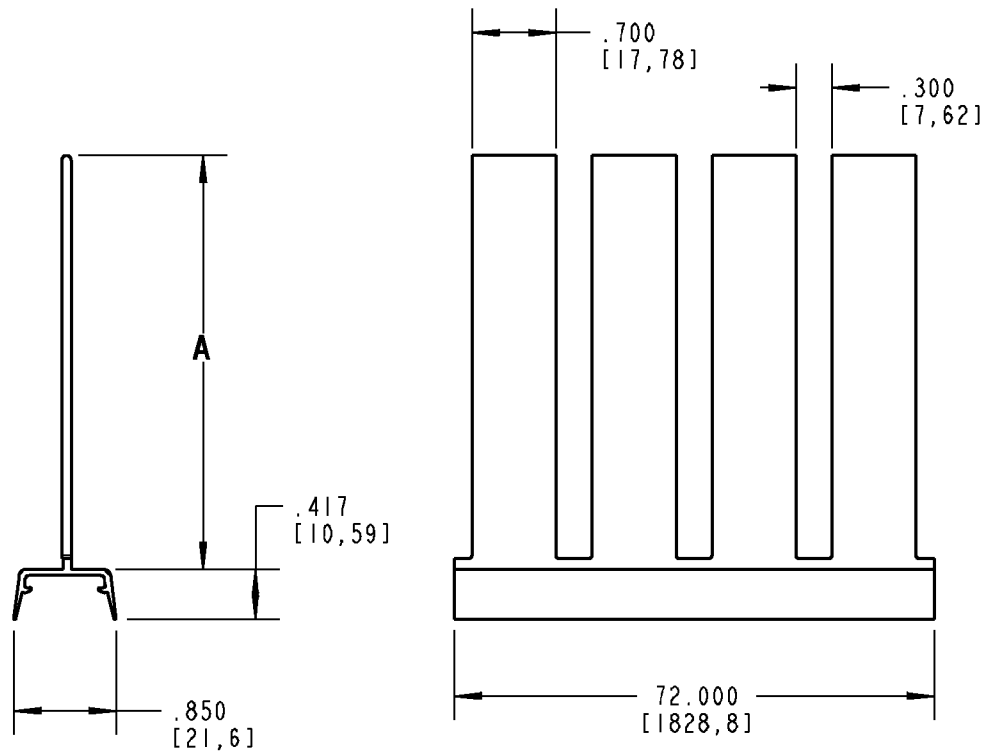
2 OF 3

REV. NO:

1

DRAWING NO:

WSD-000189



CATALOG NO.	A
TY1DWP*6	.550 [13,97]
TY1.5DWP*6	1.000 [25,4]
TY2DWP*6	1.494 [37,95]
TY3DWP*6	2.420 [61,47]
TY4DWP*6	3.450 [87,63]
TY5DWP*6	4.411 [112,04]

* = COLOR CODE

B = BLACK G = GRAY I = INTRINSIC BLUE W = WHITE

Thomas & Betts
www.tnb.com

DESCRIPTION:

WIRING DUCT DIVIDER

SHEET NO:

3 OF 3

REV. NO:

1

DRAWING NO:

WSD-000189