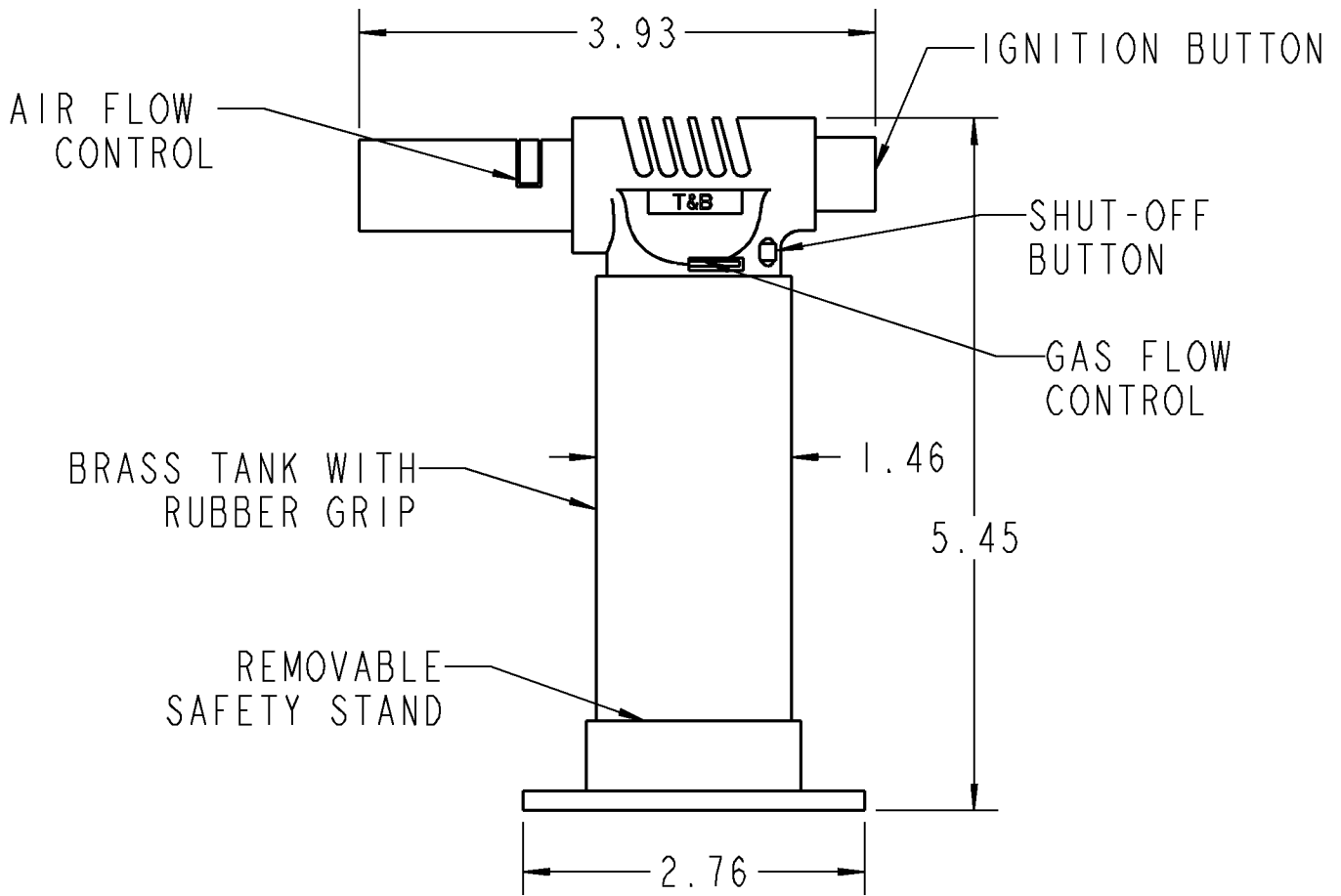



T&B Shrink-Kon



NOTES:

1. FOR USE WITH HEAT SHRINK TUBING.
2. MATERIAL: BRASS, STEEL AND PLASTIC CONSTRUCTION WITH RUBBER GRIP.
3. USE BUTANE FUEL ONLY.
4. TANK CAPACITY: 2.03 FL.OZ.
5. OPERATING TIME UP TO 220 MINUTES.
6. DELIVERS APPROX. 2500°F.

GENERAL NOTES		 <small>www.tnb.com</small>				
1. ALL DIMENSIONS ARE FOR REFERENCE ONLY. 2. DIMENSIONS IN BRACKETS [] ARE IN METRIC UNITS.						DESCRIPTION: HAND-HELD BUTANE POWER TORCH WITH SAFETY STAND
REVISIONS		ORIGINAL PROJECT NO / (ERN NO)		SHEET NO:	REV. NO:	
- SEE ERN (2005933) FOR APPROVAL SIGNATURES & RELEASE DATE. PROJECT NO: TM401327		TM401327 / (2005933)		1 OF 1	-	WSD-000198