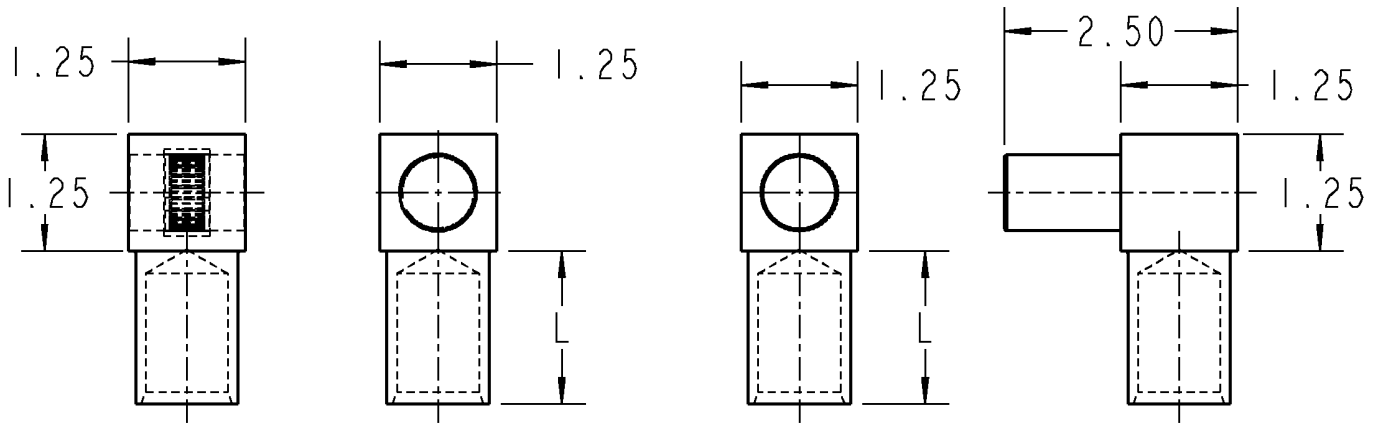




Color-Keyed



FEMALE DISCONNECT

MALE DISCONNECT

FEMALE CATALOG No.	MALE CATALOG No.	WIRE SIZE	L	STRIP LENGTH	COLOR CODE
MD40F-4	MD40M-4	4/0	1.125	1"	PURPLE
MD250F-4	MD250M-4	250 kcmil	1.250	1-1/8"	YELLOW
MD350F-4	MD350M-4	350 kcmil	1.250	1-1/8"	RED
MD500F-4	MD500M-4	500 kcmil	1.641	1-5/16"	BROWN

MATERIAL:

BODIES - HIGH CONDUCTIVITY WROUGHT COPPER
CONTACTS - SILVER PLATED COPPER ALLOY

FINISH:

SILVER PLATED, COLOR CODED TO MATCH CRIMP DIES

VOLTAGE RATING:

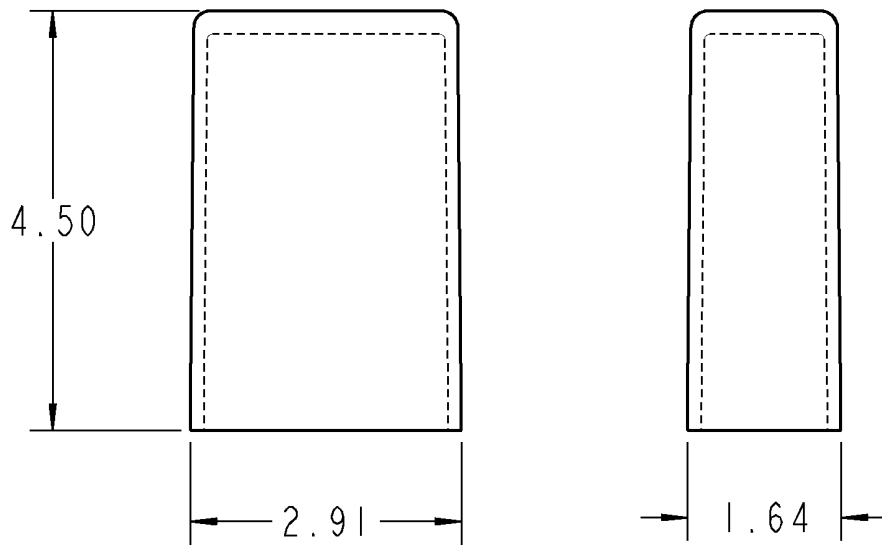
600V

INSTALLATION TOOLS:

TBM6/6S, TBM8/8S, TBM12, 13100A, 13642M, TBM14M,
BPLT14BSCR, TBM62BSCR

GENERAL NOTES		Thomas & Betts <small>www.tnb.com</small>				
1. ALL DIMENSIONS ARE FOR REFERENCE ONLY. 2. DIMENSIONS IN BRACKETS [] ARE IN METRIC UNITS.						DESCRIPTION: MOTOR DISCONNECTS AND INSULATION BOOT, BODY SIZE 4
REVISIONS		ORIGINAL PROJECT NO / (ERN NO)		SHEET NO:	REV. NO:	
** SEE ERN (****) FOR APPROVAL SIGNATURES & RELEASE DATE. PROJECT NO: ****		CD55740 / (200931)		1 OF 2	**	WSD-000392

CATALOG No. : MDBOOT-4



DIMENSIONS ARE APPROXIMATE.

MATERIAL: BLACK EPDM RUBBER
MAXIMUM RATINGS: 600V, 125°C
PROVIDED WITH TWO TY-RAP CABLE TIES, TYHT28M
REFERENCE INSTALLATION INSTRUCTIONS TA00220

Thomas & Betts
www.tnb.com

DESCRIPTION: **MOTOR DISCONNECTS AND
INSULATION BOOT, BODY SIZE 4**

SHEET NO:

2 OF 2

REV. NO:

DRAWING NO:

WSD-000392

THIS DRAWING IS INTENDED FOR DESCRIPTIVE PURPOSES ONLY. AND THE RIGHT IS RESERVED TO DEVIATE FROM ANY OF THE DETAILS SHOWN HEREON.
© 2008 Thomas & Betts - Proprietary, All Rights Reserved