



Steel City

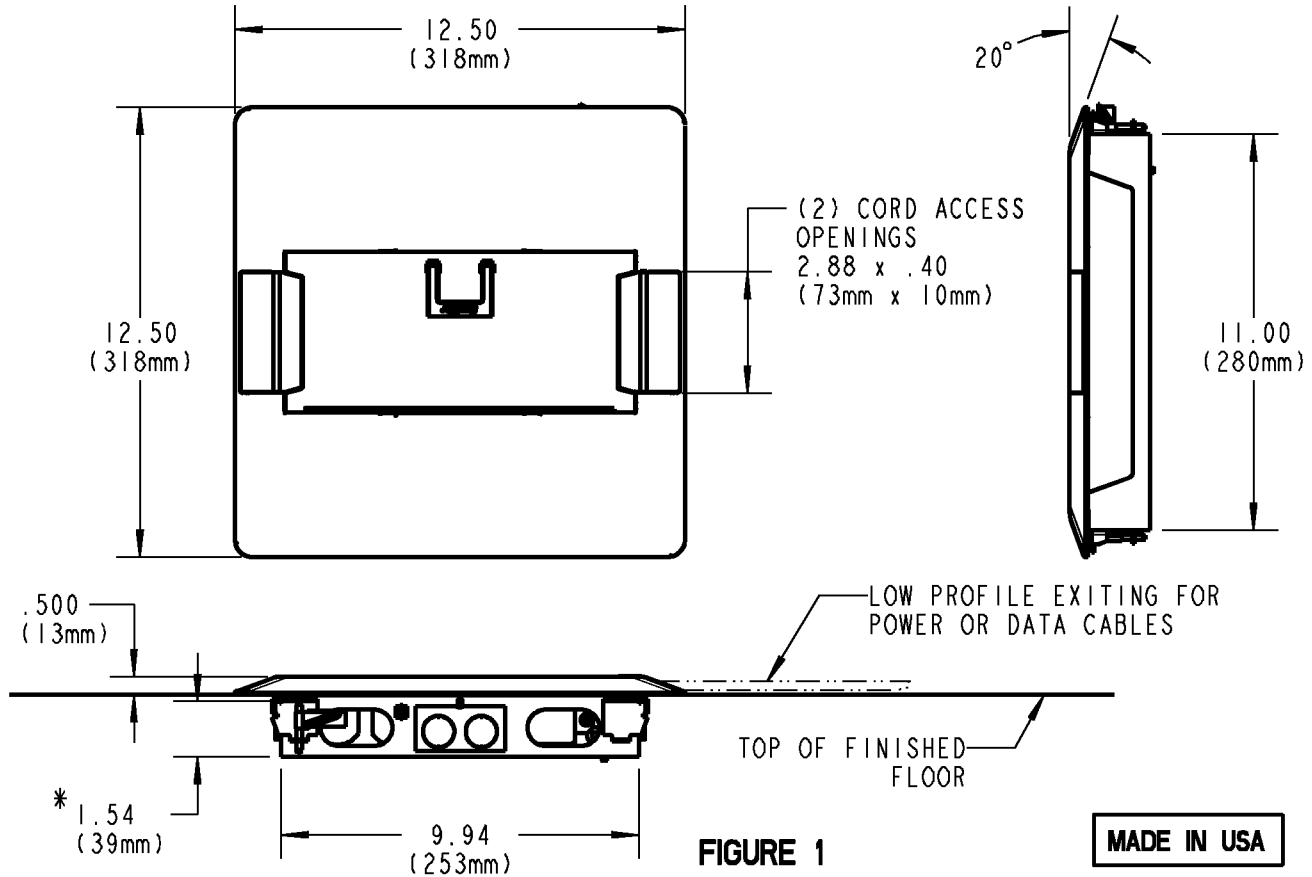


FIGURE 1

SPECIFICATIONS / FEATURES: (SEE FIGURES 2 AND 3)

1. ULTRA-SHALLOW BOX FITS FREEAXEZ FA40 AND FA70 FLOOR PANELS.
2. RIGID POLYCARBONATE COVER COMES IN BLACK OR GRAY COLOR.
3. ALL-METAL CONSTRUCTION BOX.
4. FOR 3/16" TO 3/4" THICK FINISHED FLOORS.
5. (2) COMPARTMENTS, 48 CUBIC INCHES EACH.
6. VOLTAGE DIVIDER (CAT. NO. AFM-FAS-DIV, SOLD SEPERATELY) MAY BE USED TO RUN POWER (28 CUBIC INCHES) AND COMMUNICATIONS (20 CUBIC INCHES) IN THE SAME COMPARTMENT.
7. BOX CONFIGURATIONS FOR (4) 1/2" K.O.'S.
8. (2) CORD DOORS IN COVER. EACH ONE IS WIDE ENOUGH TO ACCOMODATE EIGHT POWER CORDS OR COMMUNICATION CABLES AS NEEDED. 2.88 X .40 CORD ACCESS OPENING.
9. WIRE TUNNEL(S) (CAT. NO. AFM-FAS-WT, SOLD SEPERATELY), CAN BE USED WHEN BRINGING POWER INTO BOX FROM ONE SIDE OF BOX TO SUPPLY POWER TO BOTH POWER PANELS (SOLD SEPERATELY).
10. USE COVER SHIM KIT (CAT. NO. AFM-FAS-SHIMKIT, SOLD SEPERATELY) FOR FLOOR COVERINGS GREATER THAN 1/4 INCH THICK.

* DEPTH OF FLOOR BOX BELOW TOP OF SUB-FLOOR

CATALOG NUMBERS:

BOX:

AFM-FAS-B

COVER:

AFM-FAS-C-BLK (BLACK)
AFN-FAS-C-GRY (GRAY)

GENERAL NOTES

1. ALL DIMENSIONS ARE FOR REFERENCE ONLY.
2. DIMENSIONS IN BRACKETS [] ARE IN METRIC UNITS.

REVISIONS

- 3 SEE ERN 2015414 FOR APPROVAL SIGNATURES & RELEASE DATE.
PROJECT NO: UM400388

www.tnb.com

Thomas & Betts

A Member of the ABB Group

DESCRIPTION: **AFM-FAS RAISED FLOOR BOX AND COVER**
4-GANG

ORIGINAL PROJECT NO / (ERN NO)

UD55834 / (2010385)

SHEET NO:

1 OF 5

REV. NO:

3

DRAWING NO:

WSD-000477

AFM-FAS-B

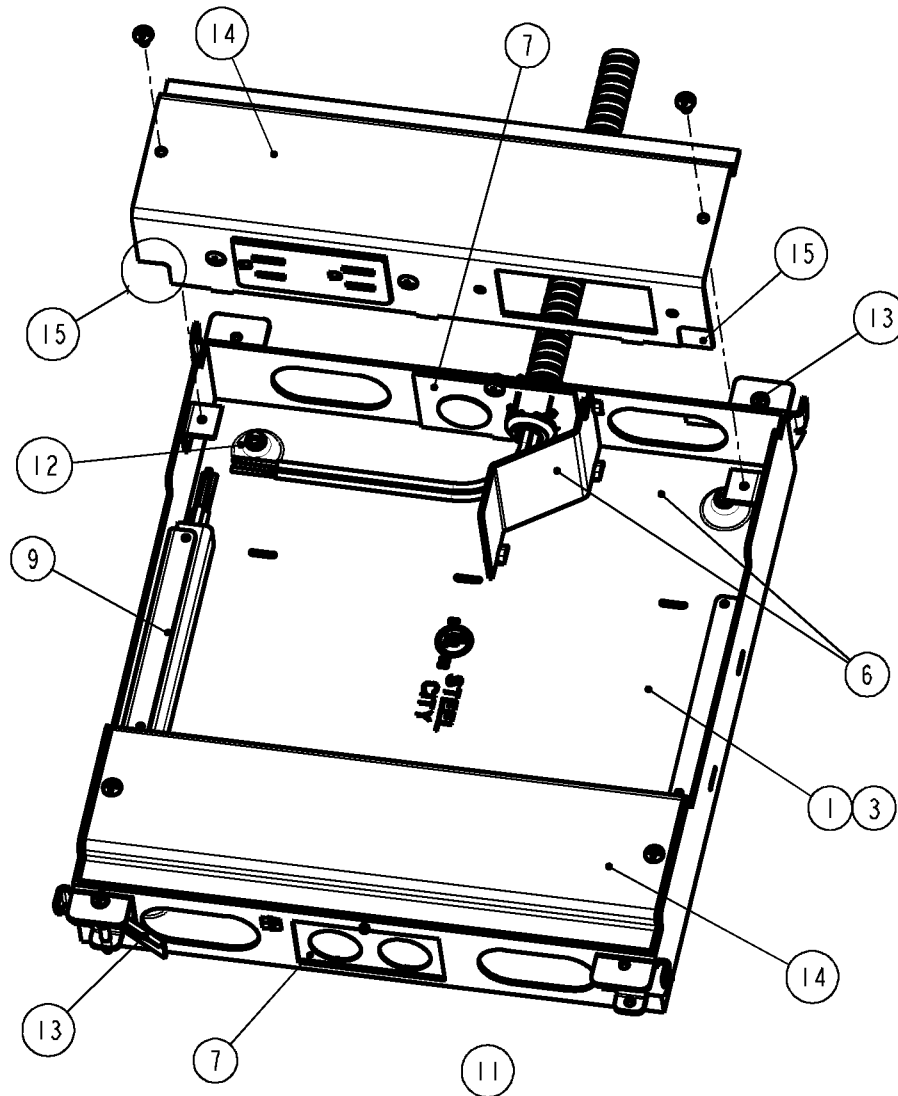


FIGURE 2

SPECIFICATIONS / FEATURES: CONTINUED (SEE FIGURES 2 AND 3)

- 11. FOUR 2" X 1" OVAL K.O.'S FOR DATA CABLES.
- 12. FOUR RAISED GROUND SCREWS (ONE FOR EACH COMPARTMENT).
- 13. TWO MOUNTING CLIPS TO SECURE FLOOR BOX TO FREEAXEZ RAISED FLOOR PANEL.
- 14. AFP POWER AND AFD DATA SERIES DEVICE PANELS SOLD SEPARATELY.
- 15. KNOCKOUTS FOR USE WITH WIRE TUNNELS CAN BE REMOVED ON THE AFP POWER SERIES DEVICE PANELS.

Thomas & Betts		<small>A Member of the ABB Group</small>	
<small>www.tnb.com</small>			
DESCRIPTION: AFM-FAS RAISED FLOOR BOX AND COVER 4-GANG			
	SHEET NO: 2 OF 5	REV. NO: 3	DRAWING NO: WSD-000477

AFM-FAS-C-BLK (BLACK)
 AFM-FAS-C-GRY (GRAY)

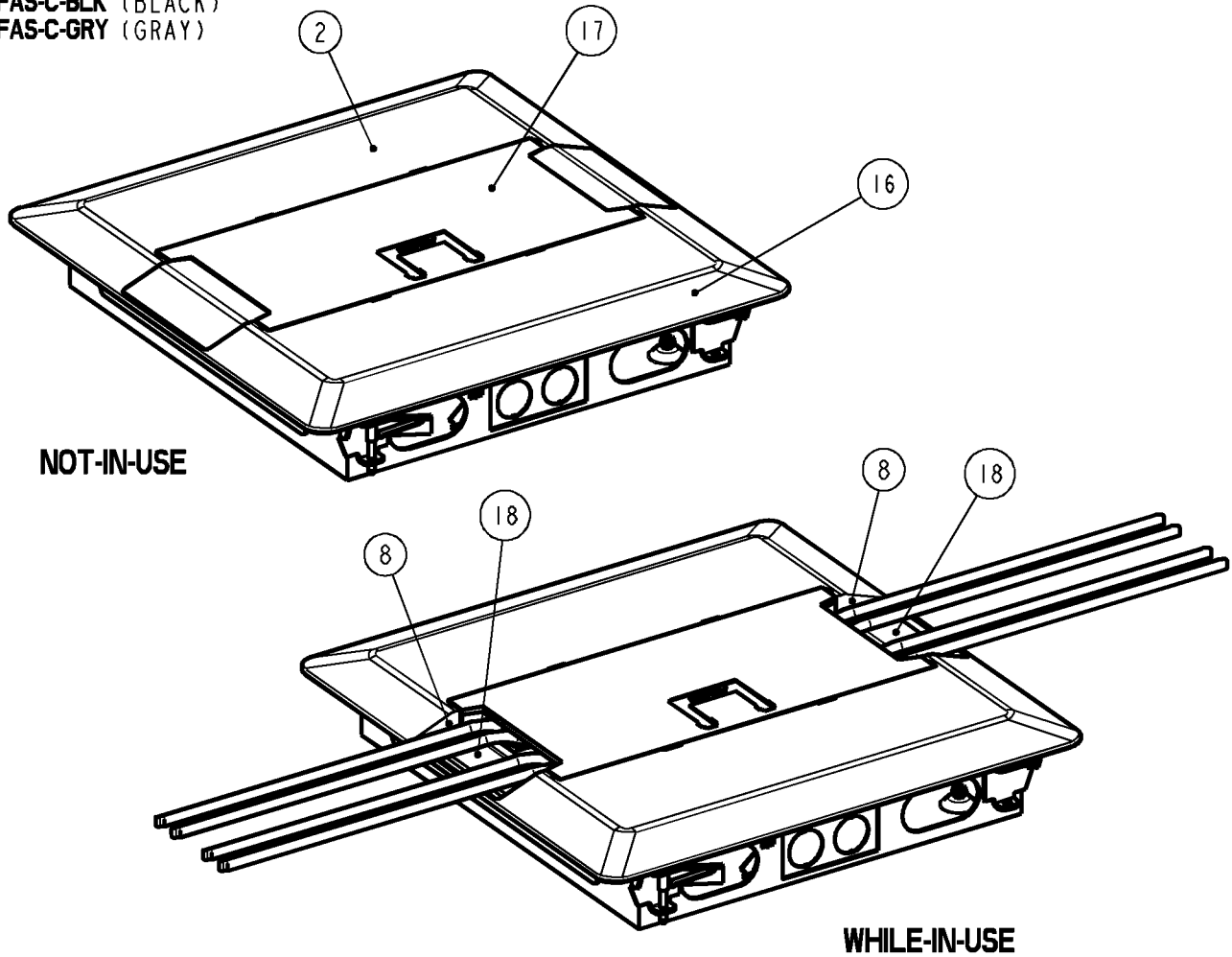


FIGURE 3

SPECIFICATIONS / FEATURES: CONTINUED (SEE FIGURES 2 AND 3)

- 16. 1/2" COVER HEIGHT AND 20-DEGREE CONTINUOUS SLOPE MEETS ADA REQUIREMENTS.
- 17. ACCESS-COVER CAN BE INSTALLED QUICKLY ON EITHER SIDE OF COVER, WHICH ELIMINATES THE NEED FOR REMOVING THE COVER-FLANGE.
- 18. LOW PROFILE FOR CORD APATURE ALLOWS CORDS TO EXIT FLOOR BOX FROM THE SLOPED SIDE OF THE COVER FLANGE. THIS FEATURE ALONG WITH THE ELIMINATION OF EXPOSED CORD DOORS SIGNIFICANTLY REDUCE THE CHANCES OF A TRIP HAZARD.
- 19. FLOOR BOX AND COVER ARE UL LISTED AND CSA CERTIFIED.
- 20. FOR RAISED FLOOR APPLICATIONS ONLY.
- 21. MADE IN USA.

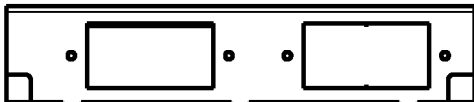
Thomas & Betts		A Member of the ABB Group	
www.tnb.com			
DESCRIPTION: AFM-FAS RAISED FLOOR BOX AND COVER 4-GANG			
SHEET NO: 3 OF 5	REV. NO: 3	DRAWING NO: WSD-000477	

REQUIRED *

**AFP SERIES POWER
PANELS**



AFP-FAS-2D



AFP-FAS-2G



**AFP-FAS-B
(BLANK)**

**AFD SERIES DATA
PANELS**



AFD-FAS-7KEY

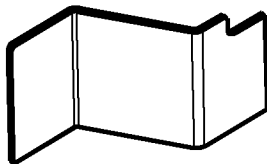


AFD-FAS-4MAAP

* NOTE: MUST ORDER TWO DEVICE
PANELS TO COMPLETE
INSTALLATION.

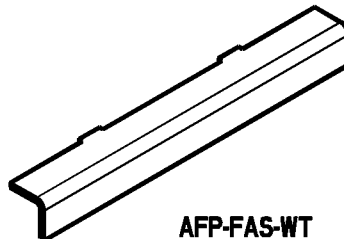
OPTIONAL (AS NEEDED)

VOLTAGE DIVIDER



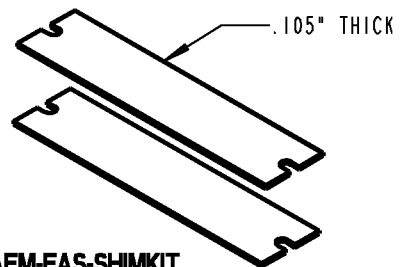
AFP-FAS-DIV

WIRE TUNNEL



AFP-FAS-WT

COVER SHIM KIT *



AFM-FAS-SHIMKIT

* FOR FLOOR COVERINGS GREATER
THAN 1/4" THICK.

www.tnb.com

Thomas & Betts

A Member of the ABB Group

DESCRIPTION: **AFM-FAS RAISED FLOOR BOX AND COVER
4-GANG**

SHEET NO:

4 OF 5

REV. NO:

3

DRAWING NO:

WSD-000477

OPENING DIMENSIONS FOR
FREEAXEZ RAISED
FLOOR PANEL

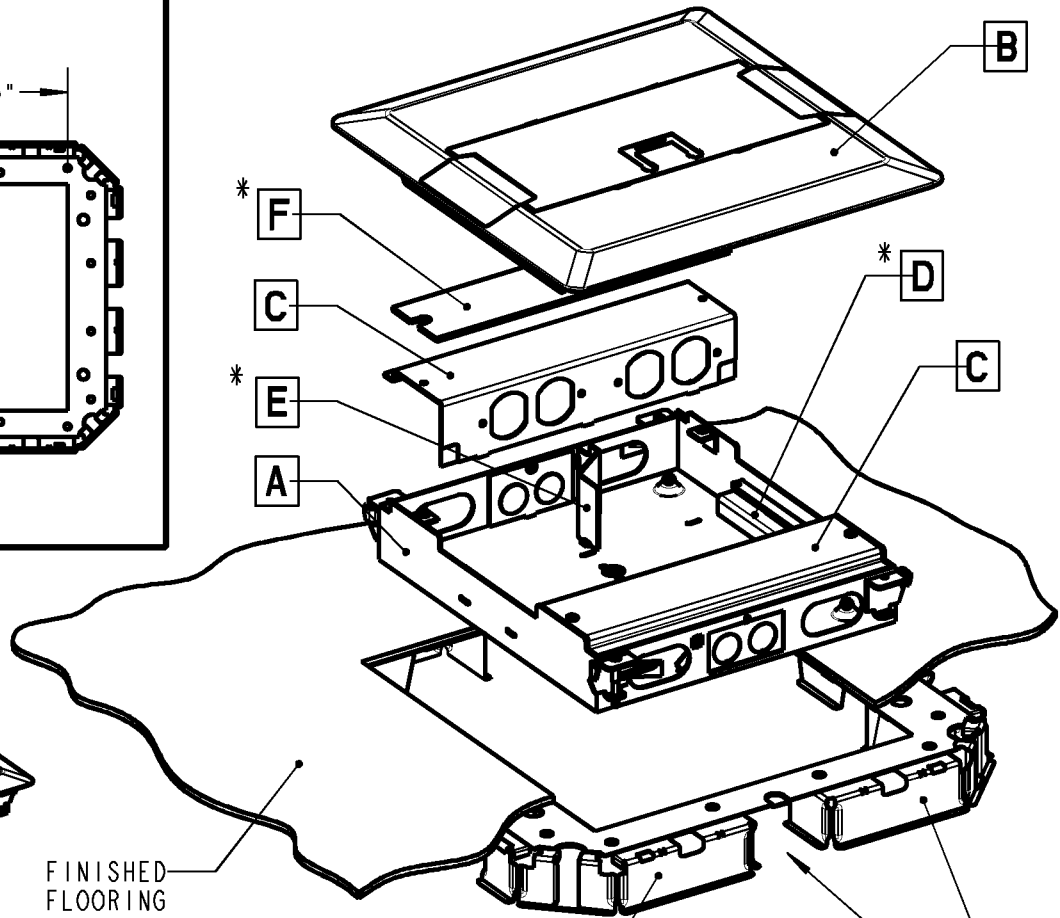
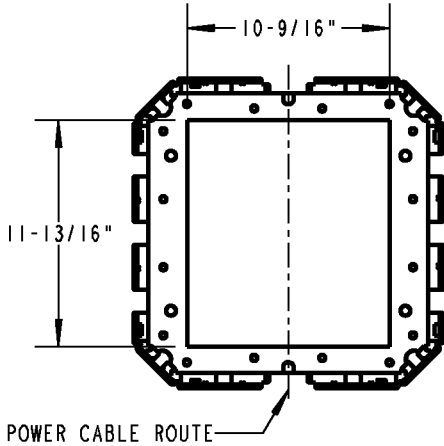


FIGURE 4

FREEAXEZ RAISED
FLOOR

POWER CABLE ROUTE
IN RAISED FLOOR

FREEAXEZ RAISED
FLOOR PANEL
(FA40 OR FA70)

COMPONENTS REQUIRED FOR ORDERING COMPLETE
AFM-FAS SERIES FLOOR BOX SYSTEM:

BOX	COVER	DEVICE PANELS	WIRE TUNNEL	VOLTAGE DIVIDER	COVER SHIM KIT
A	B	C (2) REQUIRED	D * WHEN REQ'D.	E * WHEN REQ'D.	F * WHEN REQ'D.
AFM-FAS-B	AFM-FAS-C-BLK OR AFM-FAS-C-GRY	AFP-FAS-2D AFP-FAS-2G AFP-FAS-B AFD-FAS-8KEY AFD-FAS-6MAAP	AFP-FAS-WT	AFP-FAS-DIV	AFM-FAS-SHIMKIT

www.tnb.com

Thomas & Betts

A Member of the ABB Group

DESCRIPTION: **AFM-FAS RAISED FLOOR BOX AND COVER
4-GANG**

SHEET NO:
5 OF 5

REV. NO:
3

DRAWING NO:
WSD-000477