



# Steel City

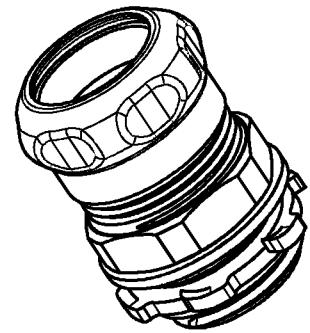
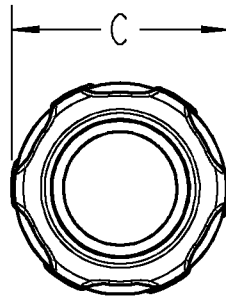
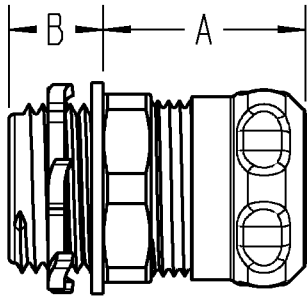


FIG 1

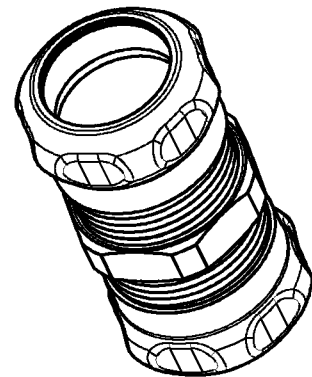
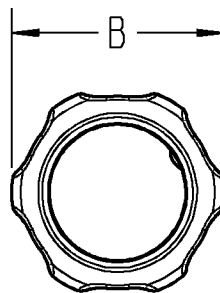
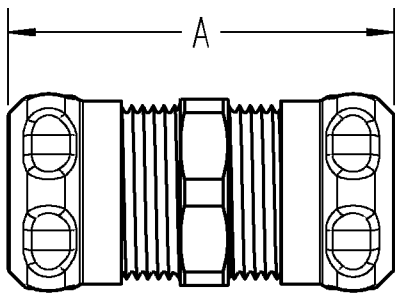


FIG 2

**NOTES:**

1. MATERIAL: STEEL
2. FINISH: ELECTRO PLATED ZINC
3. ALL DIMENSIONS ARE FOR REFERENCE ONLY.
4. ALL INSULATED CONNECTORS SHALL HAVE LINER GLUED IN PLACE.

CAT #	FIG	DESCRIPTION	A DIM	B DIM	C DIM
TK1110A-RT	2	4" COMPRESSION CONNECTOR	4.9375" [125.4]	5.3125" [134.9]	N/A
TK119A-RT	2	3-1/2" COMPRESSION CONNECTOR	4.6875" [119.1]	4.6875" [119.1]	N/A
TK118A-RT	2	3" COMPRESSION CONNECTOR	4.000" [101.6]	4.250" [107.9]	N/A
TK117A-RT	2	2-1/2" COMPRESSION CONNECTOR	3.875" [98.4]	3.625" [90.1]	N/A
TC7110A-RT	1	4" INS. COMPRESSION CONNECTOR	1.8125" [46.0]	1.000" [25.4]	5.1875" [131.8]
TC719A-RT	1	3-1/2" INS. COMPRESSION CONNECTOR	1.8125" [46.0]	1.000" [25.4]	4.6875" [119.1]
TC718A-RT	1	3" INS. COMPRESSION CONNECTOR	1.6875" [42.8]	.9375" [23.8]	4.250" [107.9]
TC717A-RT	1	2-1/2" INS. COMPRESSION CONNECTOR	1.6875" [42.8]	.8125" [20.6]	3.625" [92.1]
TC1110A-RT	1	4" COMPRESSION CONNECTOR	1.8125" [46.0]	.9375" [23.8]	5.1875" [131.8]
TC119A-RT	1	3-1/2" COMPRESSION CONNECTOR	1.8125" [46.0]	.9375" [23.8]	4.6875" [119.1]
TC118A-RT	1	3" COMPRESSION CONNECTOR	1.6875" [42.8]	.875" [22.2]	4.250" [107.9]
TC117A-RT	1	2-1/2" COMPRESSION CONNECTOR	1.6875" [42.8]	.750" [19.0]	3.625" [92.1]

**GENERAL NOTES**

1. ALL DIMENSIONS ARE FOR REFERENCE ONLY.
2. DIMENSIONS IN BRACKETS [ ] ARE IN METRIC UNITS.

www.tnb.com

**Thomas & Betts**  
A Member of the ABB Group

DESCRIPTION:

## RAINTIGHT EMT FITTINGS

**REVISIONS**

1	SEE ERN 2014731 FOR APPROVAL SIGNATURES & RELEASE DATE. PROJECT NO: RM401839
---	---

ORIGINAL PROJECT NO / ( ERN NO )

SHEET NO:

REV. NO:

DRAWING NO:

**RD55888 / ( 2010492 )**

**1 OF 1**

**1**

**WSD-000490**