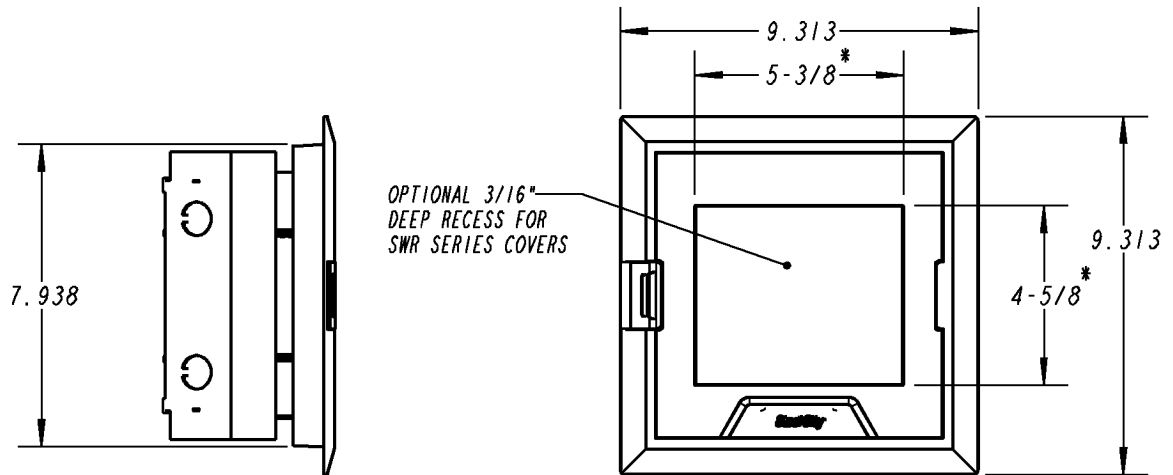




Steel City



AFM-4 SERIES ACCESS FLOOR MODULE WITH METALLIC COVERS



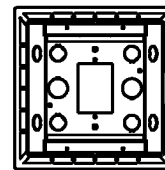
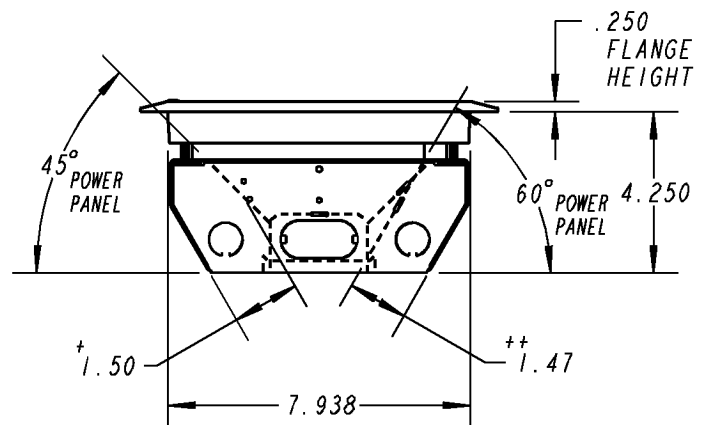
FEATURES:

AFM FLOOR BOX:

- ALL STEEL CONSTRUCTION. 14 GA. GALVANIZED STEEL.
- AFM BOX DEPTH OF 4-1/4 INCHES.
- 7-15/16" X 4-15/16" ACCESS FLOOR CUT OUT.
- BOX VOLUME AT 150 CUBIC INCHES (LESS DEVICE PANELS).
- DEVICE COMPARTMENT VOLUME:
 27.3 CUBIC INCHES WITH 45° POWER PANEL,
 25.2 CUBIC INCHES WITH 60° POWER PANEL,
 20.6 CUBIC INCHES WITH CENTER PANELS
- ONE AFP-4A 45°-POWER PANEL AND ONE AFC-C CLOSURE PANEL INCLUDED. MAXIMUM NUMBER OF 3 DEVICE PANELS.
- (2) 1/2" K.O.'s ON EACH END,
 (2) 1/2" K.O.'s AND (1) 1" X 2" OVAL K.O. ON EACH SIDE,
 (4) 1/2" K.O.'s AND (2) 3/4" K.O.'s ON BOTTOM
 (1) 2" x 2-7/8" ACCESS OPENING ON BOTTOM. COMES WITH AFC-C CLOSURE PANEL.
- (2) GROUNDING SCREWS INCLUDED.

METALLIC COVER:

- METALLIC FLOOR BOX COVER DESIGNED FOR USE WITH 665 SERIES CONCEALED FLOOR BOXES.
- MADE FROM SOLID BRASS AND ALUMINUM.
- MOPTIGHT WITH FACTORY INSTALLED GASKETS. MEETS UL SCRUB-WATER REQUIREMENTS FOR TILE, CARPET AND WOOD FLOORS.
- LID CAN BE ROTATED TO ALLOW FOR OPEN ACCESS OF CORD SLOT. LID IS ATTACHED WITH A 6-INCH INSULATED WIRE LANYARD.
- 1,500-LB MAXIMUM LOAD CAPACITY.



BOTTOM VIEW

* FOR SWR SERIES LID WITH RECESS

+ WITH 45° DEVICE PANELS
++ WITH 60° DEVICE PANELS

CATALOG NUMBERS:

- AFM-4-ALM (ALUMINUM)
- AFM-4-BRS (BRASS)
- AFM-4-ALM-R (ALUMINUM WITH RECESS)
- AFM-4-BRS-R (BRASS WITH RECESS)

GENERAL NOTES

1. ALL DIMENSIONS ARE FOR REFERENCE ONLY.
2. DIMENSIONS IN BRACKETS [] ARE IN METRIC UNITS.

REVISIONS

** SEE ERN (****) FOR APPROVAL SIGNATURES & RELEASE DATE.
PROJECT NO: ****

DESCRIPTION:

AFM-4 SERIES ACCESS FLOOR MODULE WITH METALLIC COVER

ORIGINAL PROJECT NO / (ERN NO)

UD55751 / (2010885)

SHEET NO:

1 OF 2

REV. NO:

-

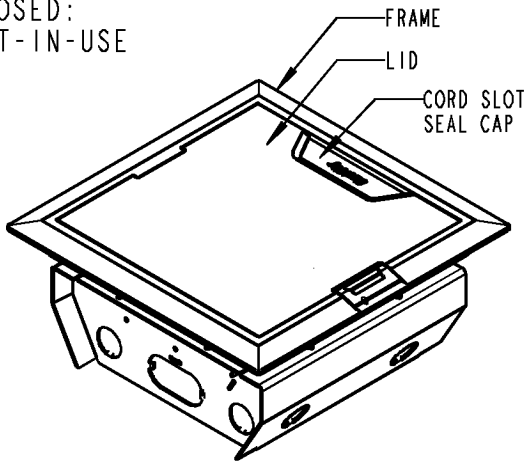
DRAWING NO:

WSD-000514

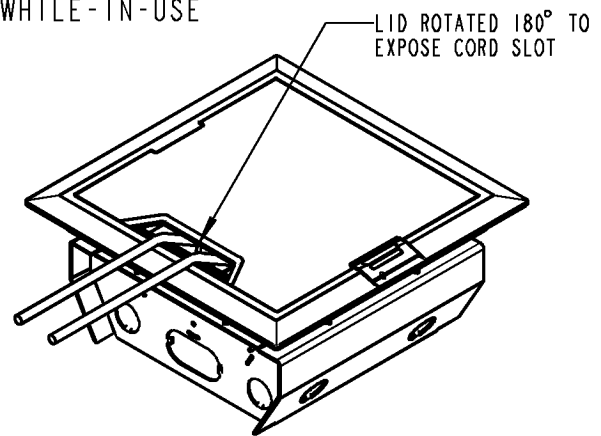
Thomas & Betts

www.tnb.com

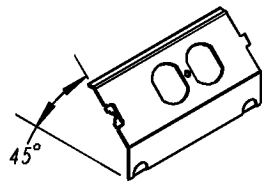
CLOSED:
NOT-IN-USE



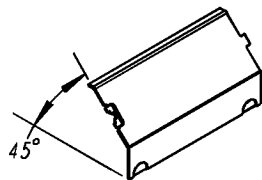
CLOSED:
WHILE-IN-USE



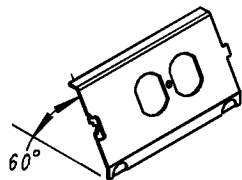
POWER PANELS



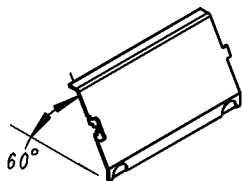
AFP-4A
SINGLE DUPLEX
@ 45°
(ONE SUPPLIED
WITH BOX)



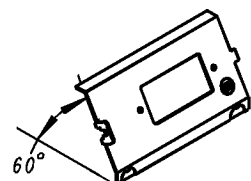
AFP-4B
BLANK @ 45°



AFP-4A60
SINGLE DUPLEX
@ 60°



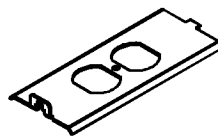
AFP-4B60
BLANK @ 60°



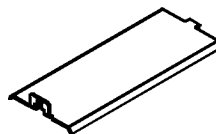
AFP-4-GFCI
SINGLE GFCI
@ 60°

DATA PANELS

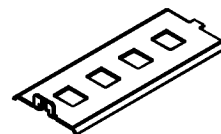
(FOR MIDDLE COMPARTMENT)



AFD-4A
SINGLE DUPLEX
DATA



AFD-4B
BLANK

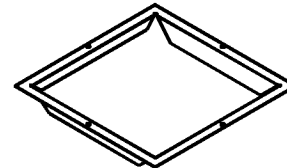


AFD-4 4RJ
T&B OMNI JACKS
OR KEYSTONE
STYLE JACKS

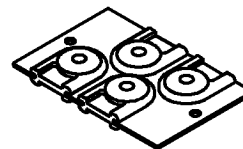
ACCESSORIES



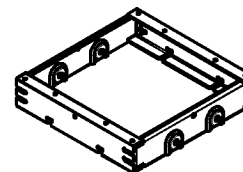
AFT-46
POWER TUNNEL



AFR-4**
MOUNTING
FLANGE



AFC-N
GROMMETED
CLOSURE PANEL



AFM-4EX
EXTENSION
COLLAR

** USED TO CORRECT OPENING IN FLOOR. NOT REQUIRED FOR ALL INSTALLATIONS.

NOTES:
1. SPECIAL PANELS
AVAILABLE - CONSULT
FACTORY.
2. DEVICES NOT INCLUDED.

Thomas & Betts
www.tnb.com

DESCRIPTION: **AFM-4 SERIES ACCESS FLOOR
MODULE WITH METALLIC COVER**

SHEET NO:
2 OF 2

REV. NO:
-

DRAWING NO:
WSD-000514