


NOTES:

1. ELBOW/CONDUIT IS PVC COATED BLACK PIPE, HOT DIPPED GALVANIZED.
2. BLUE URETHANE COATING ON INTERIOR OF CONDUIT, .002" (2 MIL) NOMINAL.
3. PVC COATING ON EXTERIOR OF CONDUIT, .040" (40 MIL) MINIMUM.
4. BLUE URETHANE COATING OVER THREADS.
5. COLOR CODED THREAD PROTECTORS ON EACH END.

GENERAL NOTES		 A Member of the ABB Group			
1. ALL DIMENSIONS ARE FOR REFERENCE ONLY. 2. DIMENSIONS IN BRACKETS [] ARE IN METRIC UNITS.					
REVISIONS		DESCRIPTION: PVC COATED STANDARD ELBOW			
1	SEE ERN 2018670 FOR APPROVAL SIGNATURES & RELEASE DATE. PROJECT NO: 087M001467	ORIGINAL PROJECT NO / (ERN NO) RM401877 / (2011409)	SHEET NO: 1 OF 3	REV. NO: 1	DRAWING NO: WSD-000551

CATALOG NUMBER	TRADE SIZE	OUTSIDE DIAMETER WITH PVC	WALL THICKNESS WITH PVC	COLOR THREAD PROTECTOR
ELL1/2...	1/2 [16]	.920 [23.4]	.134 [3.40]	BLACK
ELL3/4...	3/4 [21]	1.130 [28.7]	.139 [3.53]	RED
ELL1...	1 [27]	1.395 [35.4]	.156 [3.96]	BLUE
ELL11/4...	1-1/4 [35]	1.740 [44.2]	.156 [3.96]	RED
ELL11/2...	1-1/2 [41]	1.980 [50.3]	.165 [4.19]	BLACK
ELL2...	2 [53]	2.455 [62.4]	.172 [4.37]	BLUE
ELL21/2...	2-1/2 [63]	2.955 [75]	.216 [5.49]	BLACK
ELL3...	3 [78]	3.580 [90.9]	.229 [5.82]	BLUE
ELL31/2...	3-1/2 [91]	4.080 [103.6]	.236 [5.99]	BLACK
ELL4...	4 [103]	4.580 [116.3]	.246 [6.25]	BLUE
ELL5...	5 [129]	5.643 [143.3]	.264 [6.70]	BLUE
ELL6...	6 [155]	6.705 [170.3]	.287 [7.29]	BLUE

CATALOG NUMBER CODE

ELLS-A-C

BASIC CODE

SIZE

- 1/2 (1/2)
- 3/4 (3/4)
- 1 (1)
- 11/4 (1-1/4)
- 11/2 (1-1/2)
- 2 (2)
- 21/2 (2-1/2)
- 3 (3)
- 31/2 (3-1/2)
- 4 (4)
- 5 (5)
- 6 (6)

ANGLE

- 30 (30°)
- 45 (45°)
- 60 (60°)
- BLANK (90°)

SPECIAL ANGLES PER REQUEST

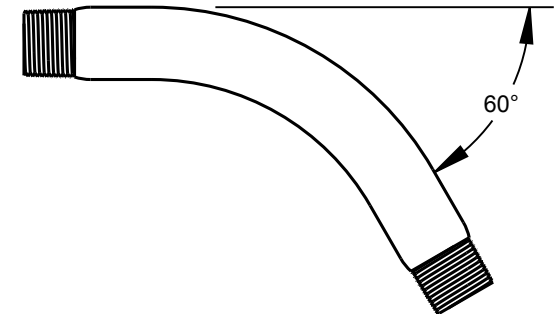
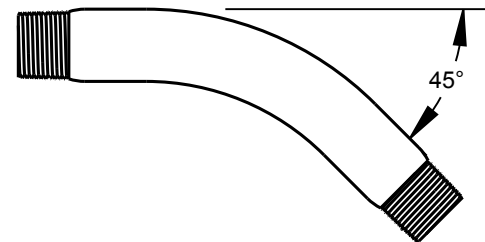
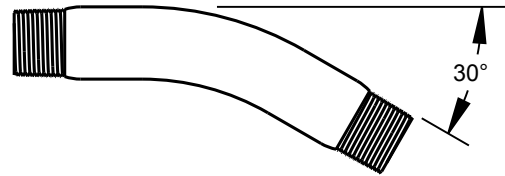
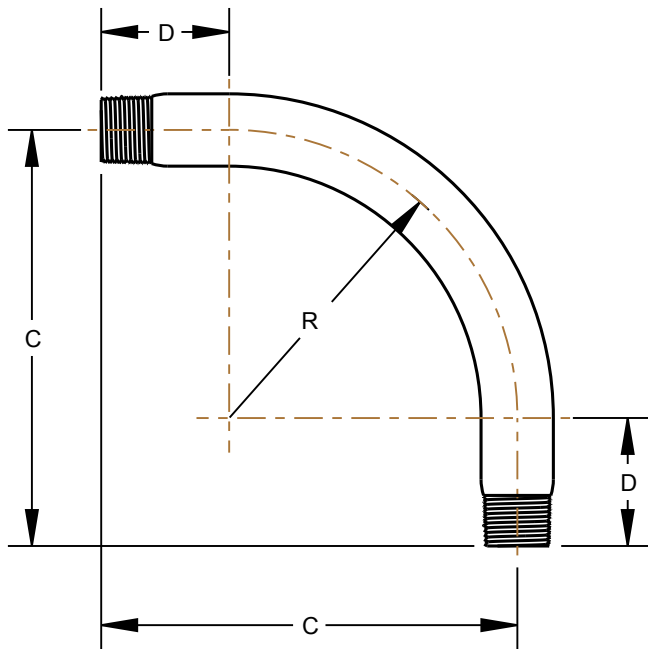
PVC COLOR CODE

- B (LIGHT BLUE)
- BX (BORDEAUX)
- G (DARK GRAY)
- LG (LIGHT GRAY)
- O (ORANGE)
- R (RED)
- T (BROWN)
- U (URETHANE)
- W (WHITE)
- Y (YELLOW)
- CZ (CARBON ZINC)
- OW (OFF WHITE)

Thomas & Betts A Member of the ABB Group		
www.tnb.com		
DESCRIPTION: PVC COATED STANDARD ELBOW		
SHEET NO: 2 OF 3	REV. NO: 1	DRAWING NO: WSD-000551

CATALOG NUMBER	TRADE SIZE	RADIUS "R"	OFFSET "C"	STRAIGHT END "D"
ELL1/2...	1/2 [16]	4.00 [101.60]	6.00 [152.40]	2.00 [50.80]
ELL3/4...	3/4 [21]	4.50 [114.30]	6.50 [165.10]	2.00 [50.80]
ELL1...	1 [27]	5.75 [146.05]	8.00 [203.20]	2.25 [57.15]
ELL11/4...	1-1/4 [35]	7.25 [184.15]	9.50 [241.30]	2.25 [57.15]
ELL11/2...	1-1/2 [41]	8.25 [209.55]	11.00 [279.40]	2.75 [69.85]
ELL2...	2 [53]	9.50 [241.30]	13.00 [330.20]	3.50 [88.90]
ELL21/2...	2-1/2 [63]	10.50 [266.70]	14.00 [355.60]	3.50 [88.90]
ELL3...	3 [78]	13.00 [330.20]	16.50 [419.10]	3.50 [88.90]
ELL31/2...	3-1/2 [91]	15.00 [381.00]	20.75 [527.05]	5.75 [146.05]
ELL4...	4 [103]	16.00 [406.40]	21.75 [552.45]	5.75 [146.05]
ELL5...	5 [129]	24.00 [609.60]	31.00 [787.40]	7.00 [177.80]
ELL6...	6 [155]	30.00 [762.00]	39.00 [990.60]	9.00 [228.60]

OFFSET "C" APPLICABLE ONLY TO 90° ELBOW.



Thomas & Betts A Member of the ABB Group		
www.tnb.com		
DESCRIPTION: PVC COATED STANDARD ELBOW		
SHEET NO: 3 OF 3	REV. NO: 1	DRAWING NO: WSD-000551