

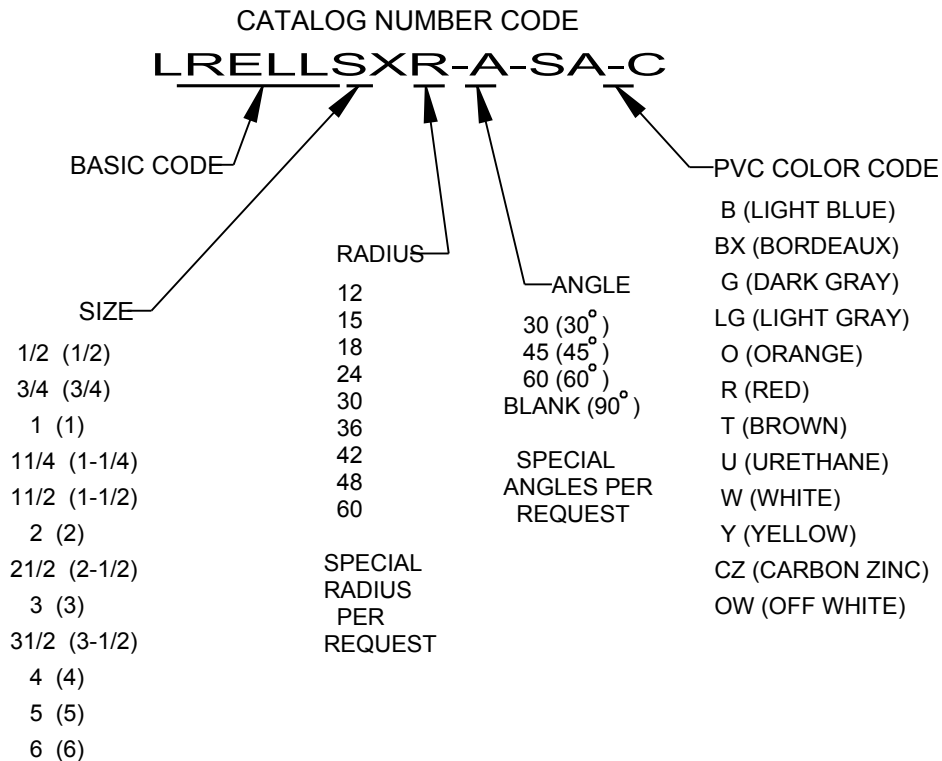
NOTES:

1. ELBOW/CONDUIT IS PVC COATED ALUMINUM PIPE.
2. BLUE URETHANE COATING ON INTERIOR OF CONDUIT, .002" (2 MIL) NOMINAL.
3. PVC COATING ON EXTERIOR OF CONDUIT, .040" (40 MIL) MINIMUM.
4. BLUE URETHANE COATING OVER THREADS.
5. COLOR CODED THREAD PROTECTORS ON EACH END.

GENERAL NOTES		 Thomas & Betts A Member of the ABB Group			
1. ALL DIMENSIONS ARE FOR REFERENCE ONLY. 2. DIMENSIONS IN BRACKETS [] ARE IN METRIC UNITS.					
REVISIONS		DESCRIPTION: PVC COATED LARGE RADIUS ELBOW			
1	SEE ERN 2018670 FOR APPROVAL SIGNATURES & RELEASE DATE. PROJECT NO: 087M001467	ORIGINAL PROJECT NO / (ERN NO) RM401877 / (2011409)	SHEET NO: 1 OF 3	REV. NO: 1	DRAWING NO: WSD-000554

CATALOG NUMBER	TRADE SIZE	OUTSIDE DIAMETER WITH PVC	WALL THICKNESS WITH PVC	COLOR THREAD PROTECTOR
* LRELL1/2...	1/2 [16]	.920 [23.4]	.144 [3.65]	BLACK
* LRELL3/4...	3/4 [21]	1.130 [28.7]	.147 [3.73]	RED
LRELL1...	1 [27]	1.395 [35.4]	.166 [4.21]	BLUE
LRELL11/4...	1-1/4 [35]	1.740 [44.2]	.173 [4.39]	RED
LRELL11/2...	1-1/2 [41]	1.980 [50.3]	.178 [4.52]	BLACK
LRELL2...	2 [53]	2.455 [62.4]	.186 [4.72]	BLUE
LRELL21/2...	2-1/2 [63]	2.955 [75]	.233 [5.92]	BLACK
LRELL3...	3 [78]	3.580 [90.9]	.245 [6.22]	BLUE
LRELL31/2...	3-1/2 [91]	4.080 [103.6]	.255 [6.48]	BLACK
LRELL4...	4 [103]	4.580 [116.3]	.295 [7.49]	BLUE
LRELL5...	5 [129]	5.643 [143.3]	.285 [7.24]	BLUE
LRELL6...	6 [155]	6.705 [170.3]	.306 [7.77]	BLUE

* 1/2 & 3/4 PIPE TRADE SIZE UPON SPECIAL REQUEST.



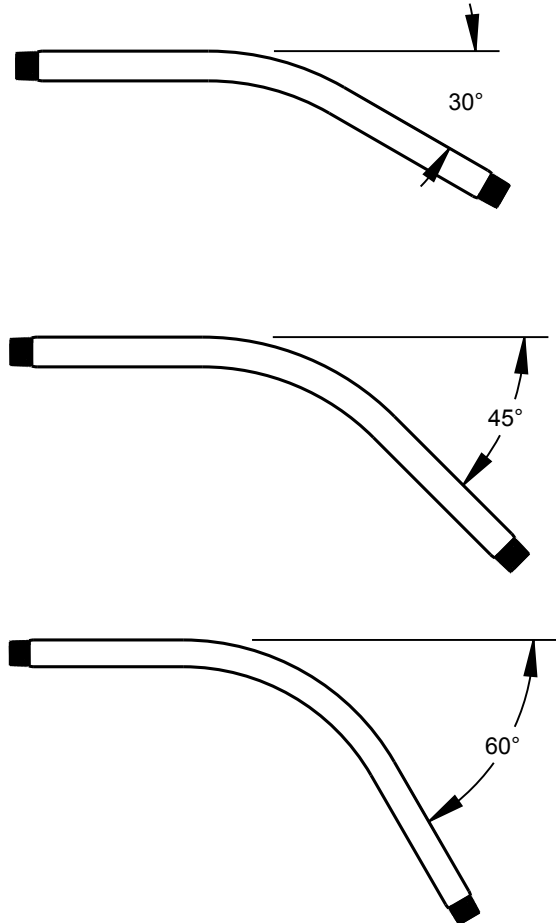
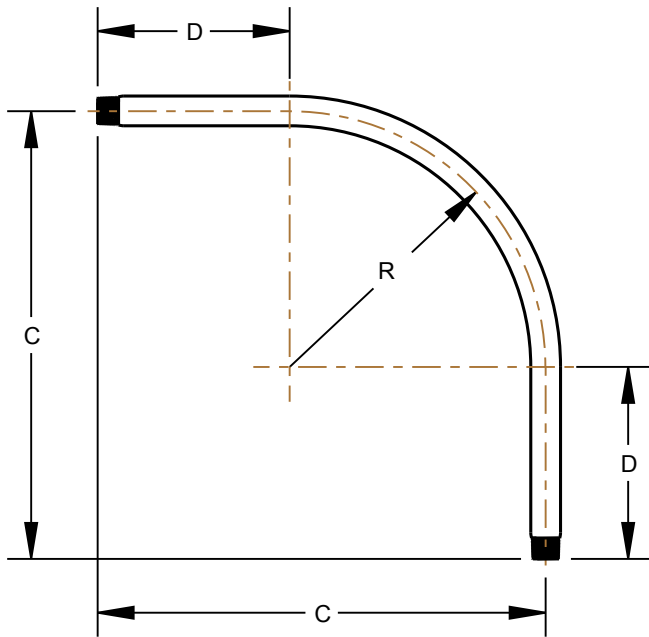
 <small>A Member of the ABB Group</small>	
<small>www.tnb.com</small>	
DESCRIPTION: PVC COATED LARGE RADIUS ELBOW	
<small>SHEET NO:</small> 2 OF 3	<small>REV. NO:</small> 1
<small>DRAWING NO:</small> WSD-000554	

CATALOG NUMBER	TRADE SIZE	RADIUS "R"
* LRELL1/2...	1/2 [16]	SPECIAL REQUEST
* LRELL3/4...	3/4 [21]	SPECIAL REQUEST
LRELL1...	1 [27]	12" - 48"
LRELL11/4...	1-1/4 [35]	12" - 48"
LRELL11/2...	1-1/2 [41]	12" - 48"
LRELL2...	2 [53]	12" - 48"
LRELL21/2...	2-1/2 [63]	12" - 60"
LRELL3...	3 [78]	15" - 60"
LRELL31/2...	3-1/2 [91]	18" - 60"
LRELL4...	4 [103]	18" - 60"
LRELL5...	5 [129]	30" - 60"
LRELL6...	6 [155]	30" - 60"

RADIUS "R"	OFFSET "C"	STRAIGHT END "D"
12 [304.80]	1' 9" [533.40]	9" [228.60]
15 [381.00]	2' 0" [609.60]	9" [228.60]
18 [457.20]	2' 4" [711.20]	10" [254.00]
24 [609.60]	2' 11" [889.00]	11" [279.40]
30 [762.00]	3' 5" [1041.40]	11" [279.40]
36 [914.40]	3' 11" [1193.80]	11" [279.40]
42 [1066.80]	4' 6" [1371.60]	12" [304.80]
48 [1219.20]	5' 0" [1524.00]	12" [304.80]
60 [1524.00]	6' 0" [1828.80]	12" [304.80]

OFFSET "C" APPLICABLE ONLY TO 90° ELBOW.

* 1/2 & 3/4 PIPE TRADE SIZE UPON SPECIAL REQUEST.



Thomas & Betts A Member of the ABB Group		
www.tnb.com		
DESCRIPTION: PVC COATED LARGE RADIUS ELBOW		
SHEET NO: 3 OF 3	REV. NO: 1	DRAWING NO: WSD-000554