

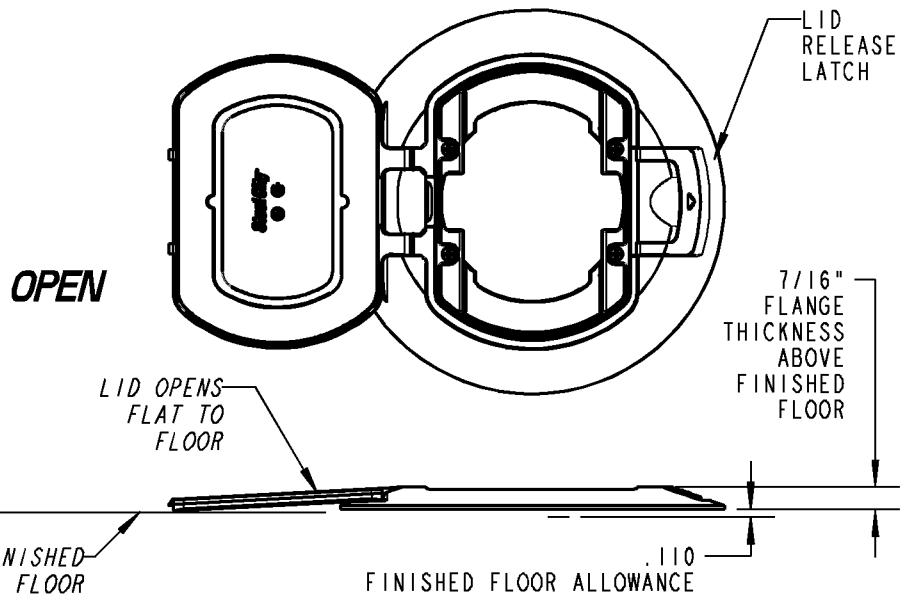
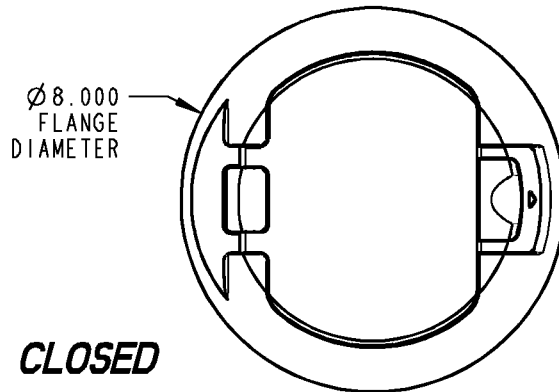
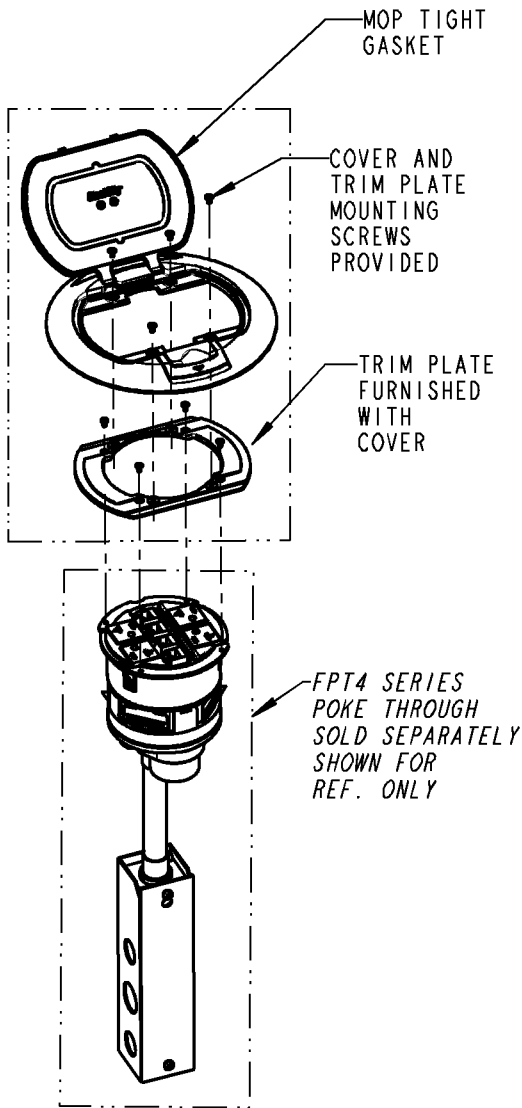
Steel City

CATALOG NUMBERS:

- FPT4-CVR-TBRS** SOLID BRASS
FPT4-CVR-TALM SOLID ALUMINUM
FPT4-CVR-TBLK ALUM WITH BLACK POWDER COAT

FEATURES:

1. FOR USE ON THE FPT4 SERIES POKE TROUGHS AND BASE UNITS.
2. COVER TRIM PLATE MOUNTS COVER TO POKE THROUGH.
3. LID OPENS WITHOUT TOOLS AND LAYS FLAT ON FLOOR.
4. LID SNAPS CLOSED WHEN STEPPED ON.
5. MOP TIGHT, EXCEEDS UL SCRUBWATER REQUIREMENTS FOR TILE, CARPET AND WOOD FLOORS.
6. ALL METAL CONSTRUCTION. MOUNTING SCREWS HIDDEN UNDER LID.



GENERAL NOTES

1. ALL DIMENSIONS ARE FOR REFERENCE ONLY.
2. DIMENSIONS IN BRACKETS [] ARE IN METRIC UNITS.

REVISIONS

*** SEE ERN (****) FOR APPROVAL SIGNATURES & RELEASE DATE.
 PROJECT NO: ****

Thomas & Betts
 www.tnb.com

DESCRIPTION:

FPT4-CVR-TXXX METALLIC COVER
 XXX - DENOTES COVER MATERIAL OR FINISH

ORIGINAL PROJECT NO / (ERN NO)

UD55943 / (2011917)

SHEET NO:

1 OF 1

REV. NO:

-

DRAWING NO:

WSD-000580