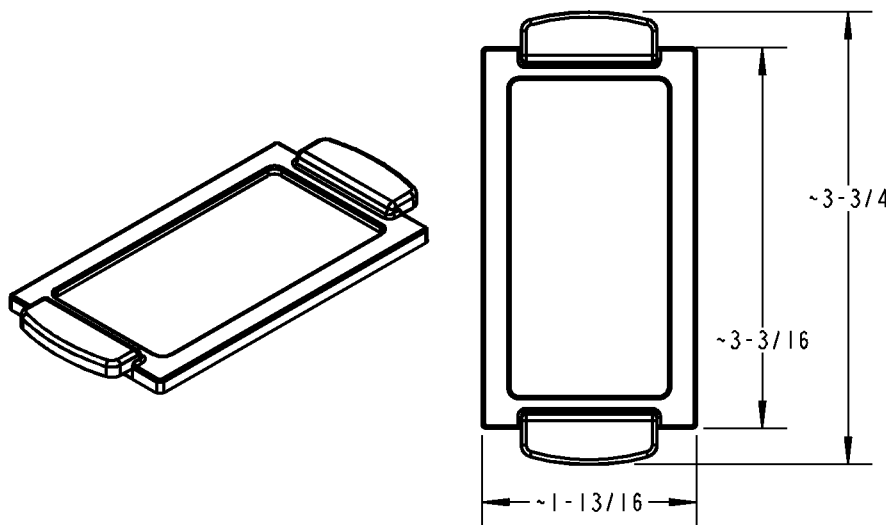


68-HP-DPS-DEC SIDE PLATE

FEATURES:

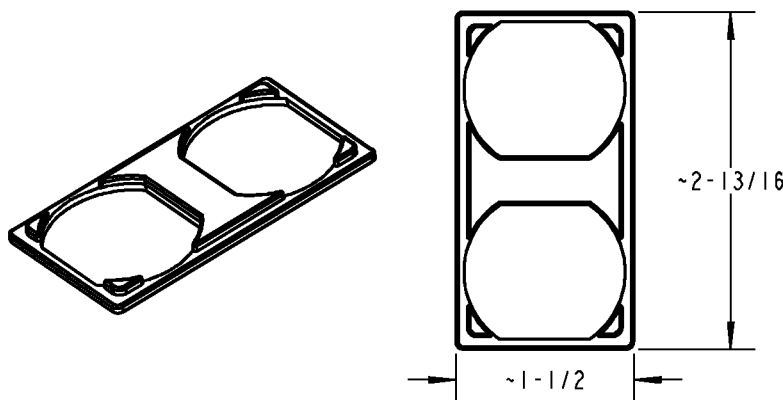
1. SIDE PLATE WITH OPENING FOR DECORA STYLE RECEPTACLE OR DATA PLATE.
2. FITS OVER LEFT OR RIGHT SIDE COMPARTMENT.
3. MATERIAL: BLACK POLYCARBONATE
4. **IMPORTANT:** GFCI RECEPTACLE *WILL NOT FIT* SIDE COMPARTMENTS OF THE 68-HP-FMK.



68-HP-DPC-GFCI CENTER PLATE

FEATURES:

1. CENTER PLATE WITH OPENING FOR GFCI RECEPTACLE, DECORA STYLE RECEPTACLE OR DECORA STYLE DATA PLATE.
2. FITS OVER CENTER COMPARTMENT.
3. MATERIAL: BLACK POLYCARBONATE
4. **IMPORTANT:** GFCI RECEPTACLE *WILL FIT* IN CENTER COMPARTMENT OF THE 68-HP-FMK.



68-HP-DI DUPLEX INSERT

FEATURES:

1. USED TO ALLOW DUPLEX RECEPTACLES TO FIT DECORA OR GFCI OPENINGS.
2. SUITABLE FOR USE WITH:
68-HP-DPS-DEC SIDE PLATE
OR
68-HP-DPCGFCI CENTER PLATE.
3. MATERIAL: BLACK POLYCARBONATE.

GENERAL NOTES

1. ALL DIMENSIONS ARE FOR REFERENCE ONLY.
2. DIMENSIONS IN BRACKETS [] ARE IN METRIC UNITS.

REVISIONS

- | | |
|---|--|
| 1 | SEE ERN 2013889 FOR APPROVAL SIGNATURES & RELEASE DATE.
PROJECT NO: 5AM400388 |
|---|--|

Thomas & Betts
www.tnb.com

DESCRIPTION:

68-HP POWER AND DATA PLATES
FOR USE WITH THE 68-HP-FMK MOUNTING KIT

ORIGINAL PROJECT NO / (ERN NO)

UD55819 / (2011942)

SHEET NO:

1 OF 3

REV. NO:

1

DRAWING NO:

WSD-000588

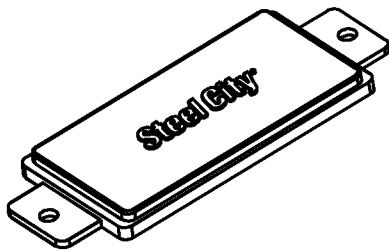
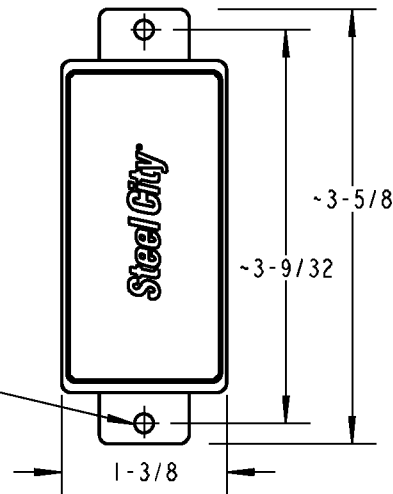


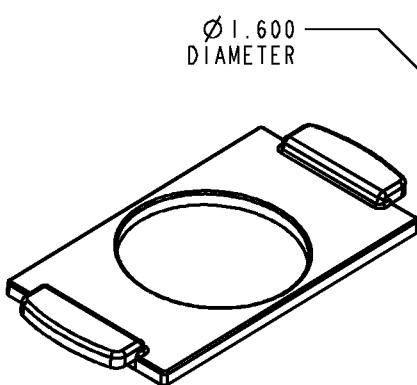
PLATE
MOUNTING
HOLES
2-PLACES



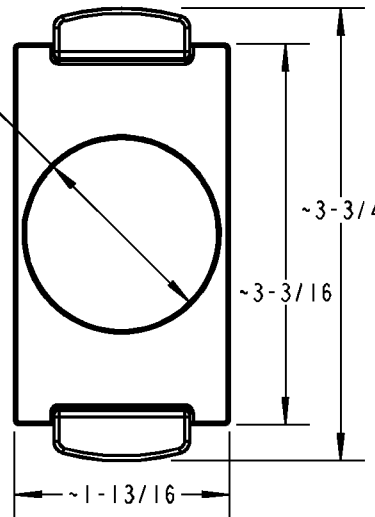
68-HP-BI BLANK INSERT

FEATURES:

1. BLANK INSERT USED TO COVER UN-USED COMPARTMENTS IN THE 68-HP-FMK MOUNTING KIT.
2. SUITABLE FOR USE WITH:
68-HP-DPS-DEC SIDE PLATE
OR
68-HP-DPCPGFCI CENTER PLATE.
3. MATERIAL: BLACK POLYCARBONATE.
4. TWO MOUNTING SCREWS ARE FURNISHED.



Ø 1.600
DIAMETER

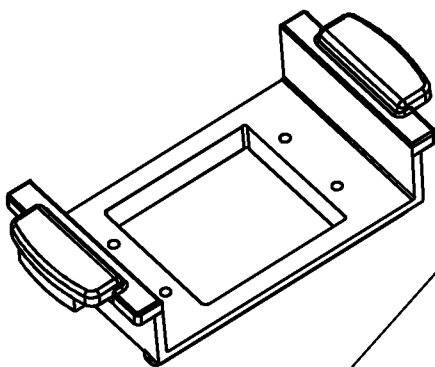


68-HP-DPC-R POWER PLATE 1-9/16" ROUND

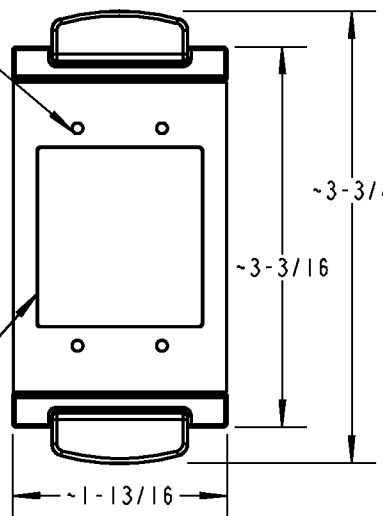
FEATURES:

1. CENTER PLATE WITH OPENING FOR UP TO 1-9/16" ROUND RECEPTACLE.
2. FITS OVER CENTER COMPARTMENT.
3. MATERIAL: BLACK POLYCARBONATE.
4. **IMPORTANT:**
1-9/16" ROUND RECEPTACLE
WILL FIT ONLY
IN CENTER COMPARTMENT
OF THE 68-HP-FMK.

HOLES SIZED FOR
#4-40 SCREWS TO
MOUNT EXTRON PLATES
4-PLACES



OPENING TO FIT
2 EXTRON MAAP
PLATES



68-HP-DPC-2MAAP 2-EXTRON MAAP PLATE-CTR

FEATURES:

1. CENTER PLATE WITH AN OPENING FOR 2 EXTRON MAAP PLATES.
2. WILL FIT ONLY IN CENTER COMPARTMENT OF THE 68-HP-FMK.
3. MATERIAL: BLACK POLYCARBONATE.
4. **IMPORTANT:**
DATA ONLY-NOT UL LISTED FOR POWER.

Thomas & Betts
www.tnb.com

DESCRIPTION:

68-HP POWER AND DATA PLATES
FOR USE WITH THE 68-HP-FMK MOUNTING KIT

SHEET NO:

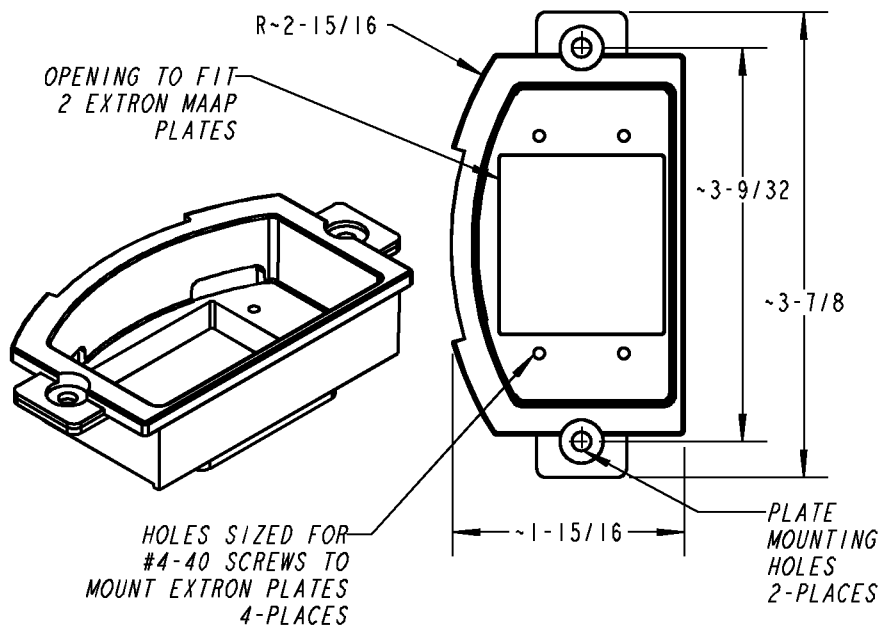
2 OF 3

REV. NO:

1

DRAWING NO:

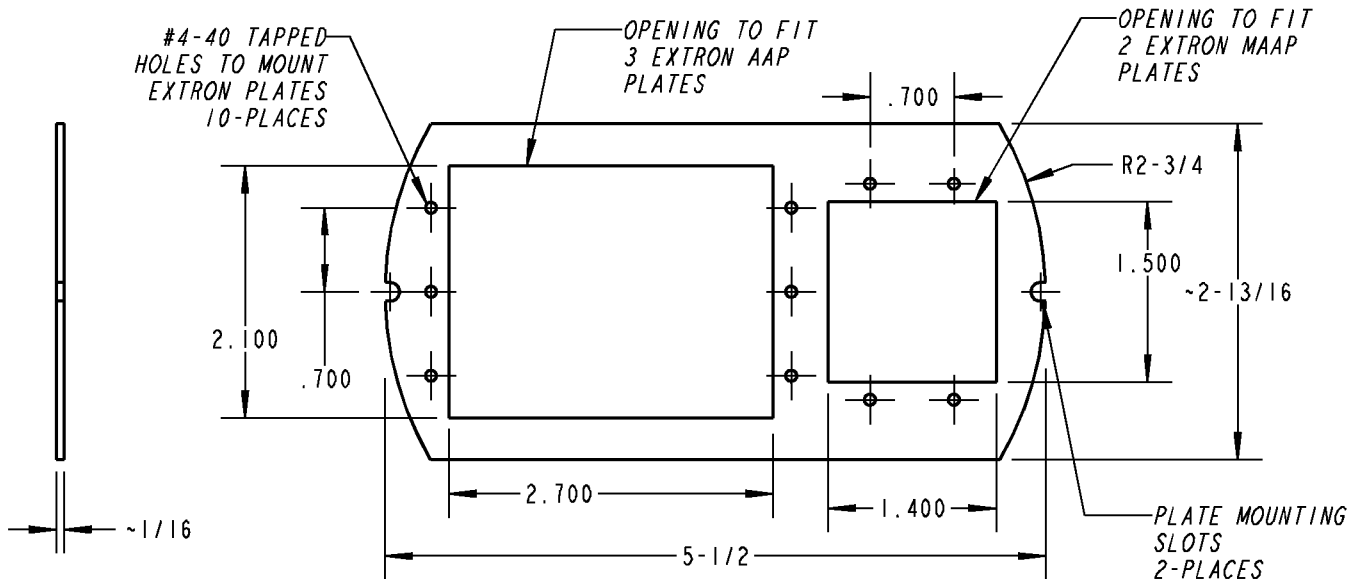
WSD-000588



68-HP-DPS-2MAAP 2-EXTRON MAAP PLATE-SIDE

FEATURES:

1. SIDE PLATE WITH AN OPENING FOR 2 EXTRON MAAP PLATES.
2. WILL FIT ONLY IN LEFT OR RIGHT SIDE COMPARTMENT OF THE 68-HP-FMK.
3. MATERIAL: BLACK POLYCARBONATE.
4. **IMPORTANT:** DATA ONLY-NOT UL LISTED FOR POWER.
5. TWO MOUNTING SCREWS ARE FURNISHED FOR PLATE ONLY.



FEATURES:

1. PLATE WITH OPENINGS FOR 3 EXTRON AAP PLATES AND 2 EXTRON MAAP PLATES.
2. THIS 1 PLATE WILL FIT OVER THE CENTER AND BOTH SIDE COMPARTMENTS OF THE 68-HP-FMK.
3. MATERIAL: 16 GA. STEEL PLATE, POWDER COATED BLACK.
4. **IMPORTANT:** DATA ONLY-NOT UL LISTED FOR POWER.
5. TWO #6-32 X 3/8 LG MOUNTING SCREWS ARE FURNISHED FOR PLATE ONLY.

68-HP-DPAV-EXT EXTRON 3-AAP AND 2-MAAP PLATE

Thomas & Betts
www.tnb.com

DESCRIPTION: **68-HP POWER AND DATA PLATES**
FOR USE WITH THE 68-HP-FMK MOUNTING KIT

SHEET NO:

3 OF 3

REV. NO:

1

DRAWING NO:

WSD-000588