

FIGURE # 1

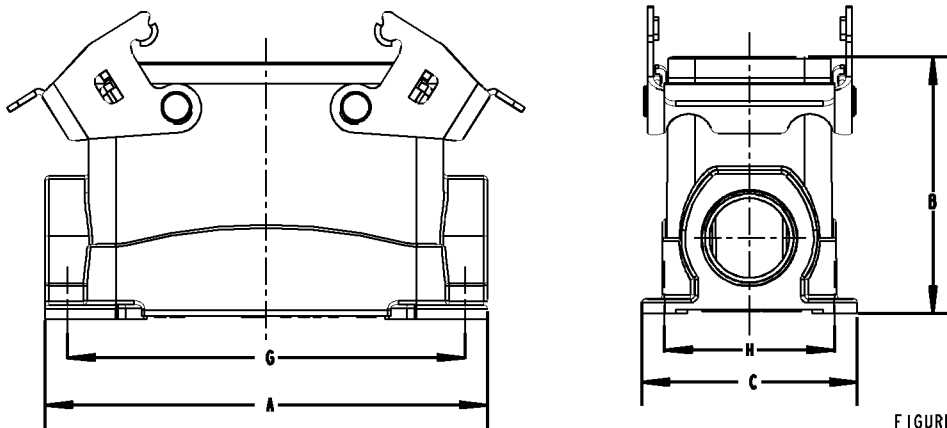



FIGURE # 2

GENERAL NOTES		 www.tnb.com				
1. ALL DIMENSIONS ARE FOR REFERENCE ONLY. 2. DIMENSIONS IN BRACKETS [] ARE IN METRIC UNITS.						DESCRIPTION: BASES -SURFACE MOUNT WITH DOUBLE LEVERS
REVISIONS		ORIGINAL PROJECT NO / (ERN NO)		SHEET NO:	REV. NO:	DRAWING NO:
** SEE ERN (****) FOR APPROVAL SIGNATURES & RELEASE DATE. PROJECT NO: ****		TM400024/2012527	1 OF 2	0	WSD-000602	

BB124EMV	B24-D64	5.66 [144]	2.677 [68]	2.24 [57]		6.53 [166]		5.2 [132]	1.77 [45]	3/4	3/4	2
BB116MV	B16-C6-D40	4.61 [117]	2.64 [67]	2.24 [57]		5.4 [137]		4.13 [105]	1.77 [45]	3/4	3/4	2
BB016MV	B16-C6-D40	4.61 [117]	2.64 [67]	2.24 [57]		5.4 [137]		4.13 [105]	1.77 [45]	3/4		2
BB132A	A32-D50	4.17 [106]	3.23 [82]	2.20 [56]	2.20 [56]	4.92 [125]		3.7 [94]	1.81 [46]	3/4	3/4	1
BB132	B32-D80	4.88 [124]	2.83 [72]	2.99 [76]	2.99 [76]	5.26 [134]		4.41 [112]	2.64 [67]	1	1	1
BB032	B32-D80	4.88 [124]	2.83 [72]	2.99 [76]	2.99 [76]	5.26 [134]		4.41 [112]	2.64 [67]	1		1
BB024	B24-D64	5.67 [144]	2.64 [67]	2.24 [57]	1.69 [43]	6.38 [162]	2.28 [58]	5.2 [132]	1.77 [45]	3/4		1
BB010	B-10	3.66 [93]	2.05 [52]	2.05 [52]	1.69 [43]	4.53 [115]	2.28 [58]	3.23 [82]	1.57 [40]	1/2		1
T & B CAT No.	INSERTS	A	B	C	D	E	F	G	H	J	K	FIG. #

Thomas & Betts
www.tnb.com

DESCRIPTION: **BASES -SURFACE MOUNT
WITH DOUBLE LEVERS**

SEE REVISIONS ON PAGE * 1

SHEET NO:

2 OF 2

REV. NO:

0

DRAWING NO:

WSD-000602