

Thomas & Betts

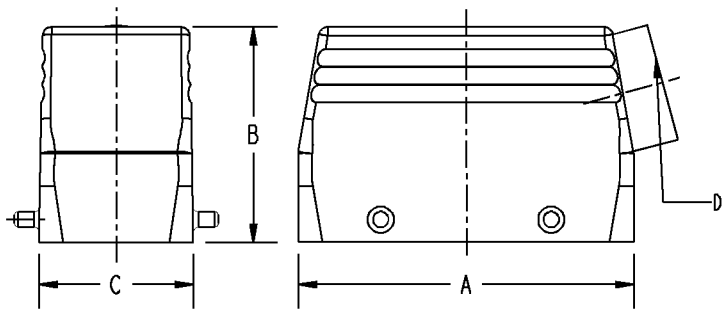


FIGURE # 1

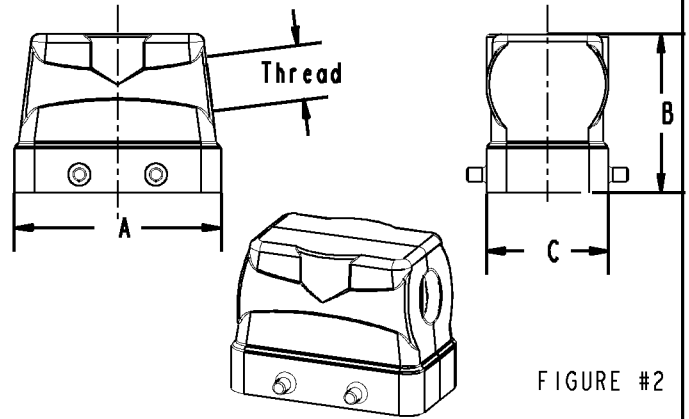


FIGURE #2

CAT. No.	A	B	C	D NPT THREAD	FIGURE
SH016L	3.70 (94)	2.36 (60)	1.69 (43)	3/4	1
SH016	3.70 (94)	2.56 (65)	1.69 (43)	3/4	1
SH016H	3.70 (94)	2.99 (76)	1.69 (43)	3/4	1
SH116H	3.70 (94)	2.99 (76)	1.69 (43)	1	1
SH024L	4.72 (120)	2.36 (60)	1.69 (43)	3/4	1
SH124L	4.72 (120)	2.36 (60)	1.69 (43)	1	1
SH024	4.72 (120)	2.99 (76)	1.69 (43)	3/4	1
SH124	4.72 (120)	2.99 (76)	1.69 (43)	1	1
SH032	3.70 (94)	3.15 (80)	3.11 (79)	3/4	1
SH132	3.70 (94)	3.15 (80)	3.11 (79)	1	1
SH032A	3.23 (82)	2.99 (76)	2.20 (56)	3/4	1
SH132A	3.23 (82)	2.99 (76)	2.20 (56)	1	1
SH010MV	2.87 (73)	2.05 (52)	1.69 (43)	1/2	2

NOTES:

1. DIMENSIONS ARE IN INCHES (MILLIMETERS).
2. HOUSING: DIE CAST ALUMINUM WITH EPOXY POWDER COAT.
3. TEMPERATURE RATING: -40°C TO 125°C (-40°F TO 257°F).
4. ENVIRONMENTAL RATING: IP65 WHEN MATED AND LOCKED.

GENERAL NOTES

1. ALL DIMENSIONS ARE FOR REFERENCE ONLY.
2. DIMENSIONS IN BRACKETS [] ARE IN METRIC UNITS.

REVISIONS

*** SEE ERN (****) FOR APPROVAL SIGNATURES & RELEASE DATE.
PROJECT NO: ****

Thomas & Betts
www.tnb.com

DESCRIPTION:

**HOODS-SIDE ENTRY
FOR DOUBLE LEVERS**

ORIGINAL PROJECT NO / (ERN NO)

TM400024 / (2012527)

SHEET NO:

1 OF 1

REV. NO:

0

DRAWING NO:

WSD-000603