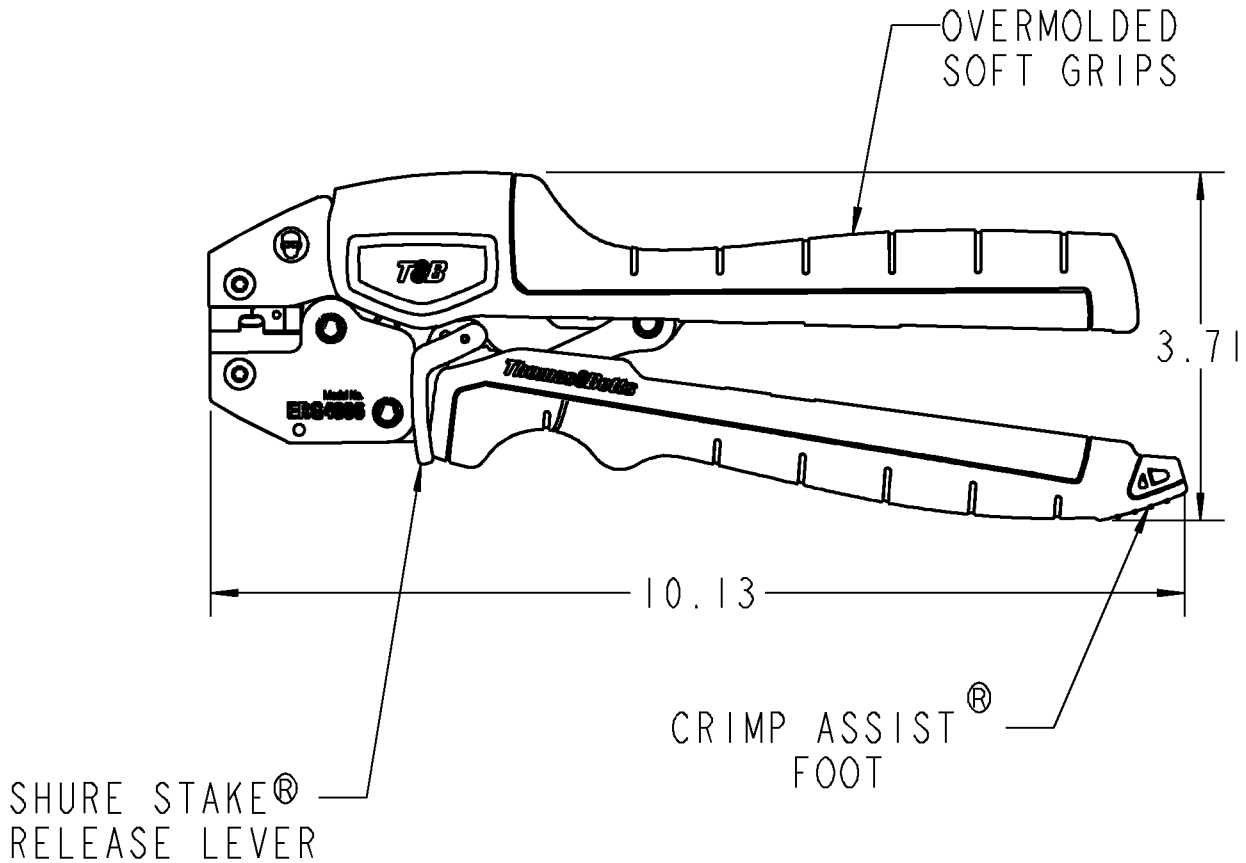




Dragon Tooth®

FOR INSTALLING STA-KON® Dragon Tooth®
MAGNET WIRE CONNECTORS
TYPE 22F-6 SERIES, 22L006, AND R-6 SERIES



**CAUTION: HANDLES NON-INSULATING,
DO NOT CRIMP ENERGIZED WIRES**

GENERAL NOTES		 			
1. ALL DIMENSIONS ARE FOR REFERENCE ONLY. 2. DIMENSIONS IN BRACKETS [] ARE IN METRIC UNITS.					
REVISIONS		DESCRIPTION			
** SEE ERN (****) FOR APPROVAL SIGNATURES & RELEASE DATE. PROJECT NO: ****		ERG4806 COMFORT CRIMP COMPRESSION TOOL WITH SHURE STAKE MECHANISM			
		ORIGINAL PROJECT NO / (ERN NO)	SHEET NO:	REV. NO:	DRAWING NO:
		TD55832 / (2014198)	1 OF 1	**	WSD-001073