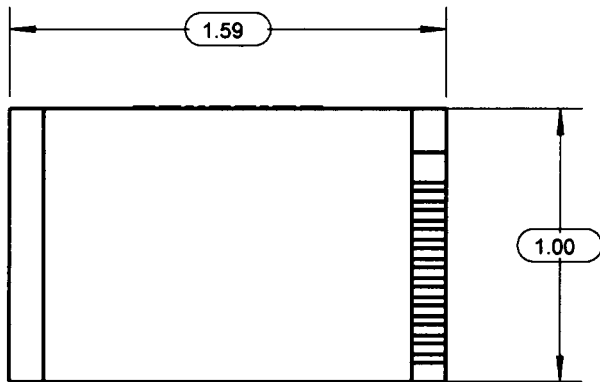
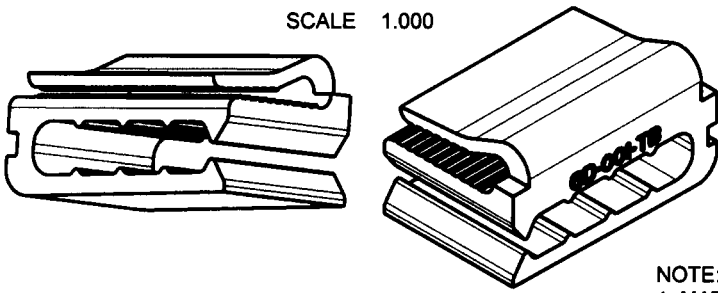


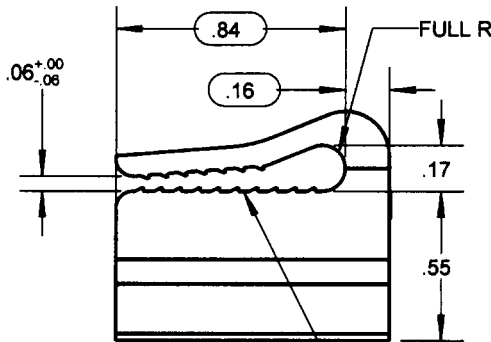
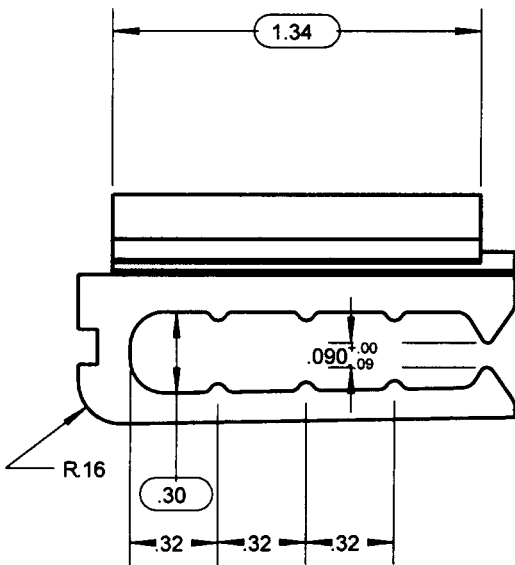
Ty-Rap

SCALE 1.000



NOTE:

1. MATERIAL: POLYAMIDE 6.6 HIGH IMPACT MODIFIED, HEAT STABILIZED, UV RESISTANT (PA66HIRHS). ALTERNATIVE MATERIAL: HEAT STABILIZED UV RESISTANT LEXAN 143R.
2. FLAMMABILITY: PART SHALL ADHERE TO UL94 HB.
3. PART TO BE RATED FOR 2 LBS LOAD IN ALL DIRECTION AT FIRST INSTALL.
4. MEETS ACCELERATED AGING TEST SUCH AS TEMP. CYCLING -40° C TO 100° C AND 1000 HRS UV TEST.
5. MAX. FLASH AND BURRS TO BE .020 H x L.
6. WILL FIT FRAME THICKNESS RANGE .060" TO .120"
7. WILL FIT #10 AWG SOLAR PV +/-CABLES.
8. CAT. NO. "GD-001-TB" AT ANY LOCATION CONVENIENT FOR TOOLING
9. INSPECTION DIMENSIONS ARE MARKED IN OVALS.
10. THIS IS A SALES DRAWING - NOT A REFERENCE FOR MANUFACTURING PURPOSES.



SERRATIONS 7 ABOVE, 10 BELOW FOR GRIPPING FRAME

GENERAL NOTES

1. ALL DIMENSIONS ARE FOR REFERENCE ONLY.
2. DIMENSIONS IN BRACKETS [] ARE IN METRIC UNITS.

REVISIONS

** SEE ERN (****) FOR APPROVAL SIGNATURES & RELEASE DATE. PROJECT NO: ****

Thomas & Betts
www.tnb.com

DESCRIPTION:

SOLAR PV 90 DEG CABLE CLIP

ORIGINAL PROJECT NO / (ERN NO)
009D000307 / (2014272)

SHEET NO:
1 OF 1

REV. NO:
**

DRAWING NO:
WSD-001092