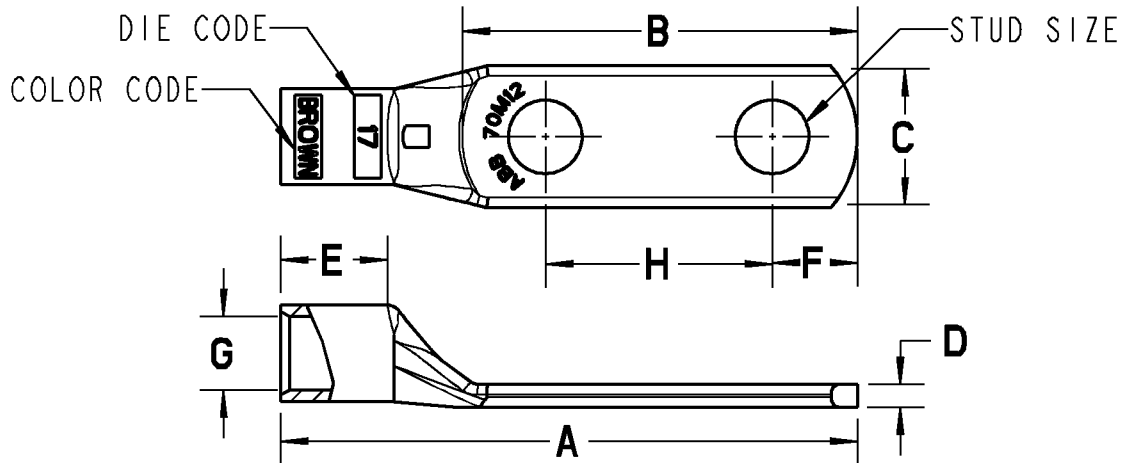


Color-Keyed



- LUGS CONFORM TO IEC 61238-1 CLASS A.
- FOR USE WITH IEC 60228 COPPER CONDUCTORS CLASSES 2 AND 5

CATALOG NUMBER	CABLE SIZE	STUD SIZE	PACK QTY	COLOR CODE	DIE CODE	A	B	C	D	E	F	G	H
25M6-A-2	6mm ²	M6	50	WHITE	11	56.0	38.0	16.0	3.0	11.0	7.0	8.0	19.0
25M8-A-2		M8				66.0	48.0				10.0		25.0
35M6-A-2	35mm ²	M6	10	RED	13	61.6	38.0	18.0	4.2	14.0	7.0	9.0	19.0
35M8-A-2		M8				71.7	48.0				10.0		25.0
50M10-A-2	50mm ²	M10	10	BLUE	14.5	73.7	46.9	21.0	3.5	17.0	8.9	11.0	25.0
50M12-A-2		M12				96.7	70.0				22.0		15.0
70M10-A-2	70mm ²	M10	10	BROWN	17	80.6	49.0	25.0	4.0	20.0	11.0	13.0	25.0
70M12-A-2		M12				101.7	70.0				15.0		40.0
95M10-A-2	95mm ²	M10	10	GREEN	20	90.0	53.0	29.0	5.0	23.0	11.0	15.0	25.0
95M12-A-2		M12				110.0	73.0				40.0		15.0
120M10-A-2	120mm ²	M10	10	PINK	22	98.0	57.0	32.0	5.0	25.0	14.0	17.0	25.0
120M12-A-2		M12				104.0	63.0				32.0		14.0
150M10-A-2	150mm ²	M10	10	BLACK	25	102.6	55.0	36.0	6.0	30.0	11.0	19.0	25.0
150M12-A-2		M12				120.7	73.0				36.0		14.0
185M10-A-2	185mm ²	M10	6	ORANGE	27	111.0	57.0	39.0	6.0	35.0	13.0	21.0	25.0
185M12-A-2		M12				128.6	75.0				39.0		15.0
240M10-A-2	240mm ²	M10	6	PURPLE	30	115.0	59.0	44.0	6.0	35.0	12.0	24.0	25.0
240M12-A-2		M12				130.0	74.3				44.0		13.0
300M10-A-2	300mm ²	M10	6	YELLOW	32	119.0	57.0	48.0	6.0	42.0	12.0	26.0	25.0
300M12-A-2		M12				137.1	75.0				48.0		15.0

GENERAL NOTES

- ALL DIMENSIONS ARE FOR REFERENCE ONLY.
- DIMENSIONS IN BRACKETS [] ARE IN METRIC UNITS.

REVISIONS

*** SEE ERN (****) FOR APPROVAL SIGNATURES & RELEASE DATE. PROJECT NO: ****

www.tnb.com

Thomas & Betts
A Member of the ABB Group

DESCRIPTION:

METRIC LUG STRAIGHT 2-HOLE

ORIGINAL PROJECT NO / (ERN NO)

007D000492 / (2015628)

SHEET NO:

1 OF 1

REV. NO:

-

DRAWING NO:

WSD-001279