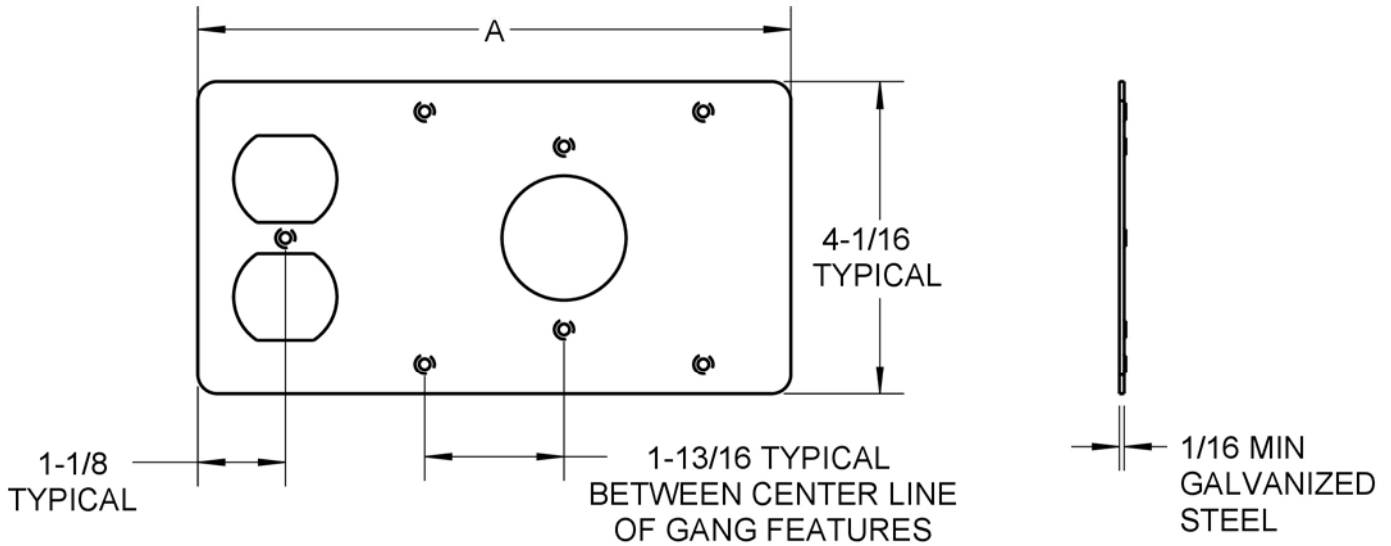


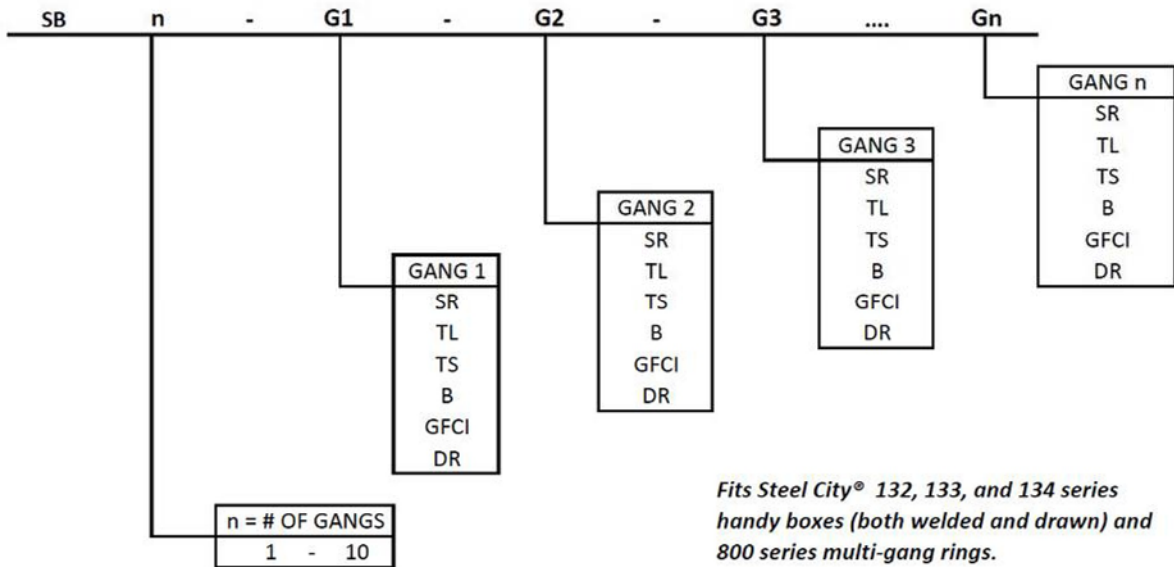
# Steel City®


## SB SERIES GANG BOX COVERS



SB4-DR-B-TL-B  
SHOWN FOR REFERENCE

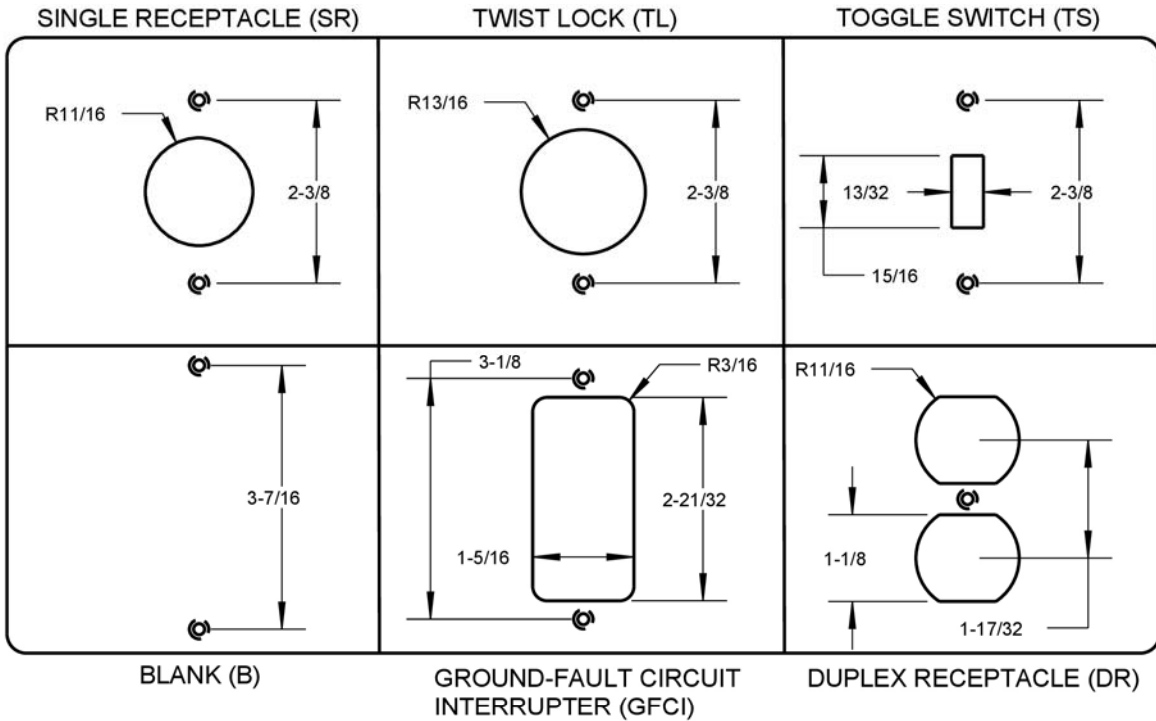
### CATALOG CONSTRUCTION



GENERAL NOTES		 A Member of the ABB Group			
1. ALL DIMENSIONS ARE FOR REFERENCE ONLY. 2. DIMENSIONS IN BRACKETS [ ] ARE IN METRIC UNITS.					
REVISIONS		DESCRIPTION: SB SERIES GANG COVERS			
** SEE ERN (****) FOR APPROVAL SIGNATURES & RELEASE DATE. PROJECT NO: ****		ORIGINAL PROJECT NO / (ERN NO)	SHEET NO:	REV. NO:	DRAWING NO:
		NM400367 / ( 2015900 )	1 OF 2	0	WSD-001318

# OPENING DETAILS

ALL MOUNTING HOLES ARE COUNTERSUNK AND DESIGNED FOR  
A #6-32 OVAL HEAD MACHINE SCREW (NOT SUPPLIED)



A								
SB2	SB3	SB4	SB5	SB6	SB7	SB8	SB9	SB10
4-3/32	5-29/32	7-23/32	11-11/32	13-5/32	14-31/32	16-25/32	18-19/32	20-13/32

 <small>A Member of the ABB Group</small>			
<small>www.tnb.com</small>			
DESCRIPTION: <span style="font-size: 1.2em; font-weight: bold;">SB SERIES GANG COVERS</span>			
	SHEET NO: 2 OF 2	REV. NO: 0	DRAWING NO: WSD-001318