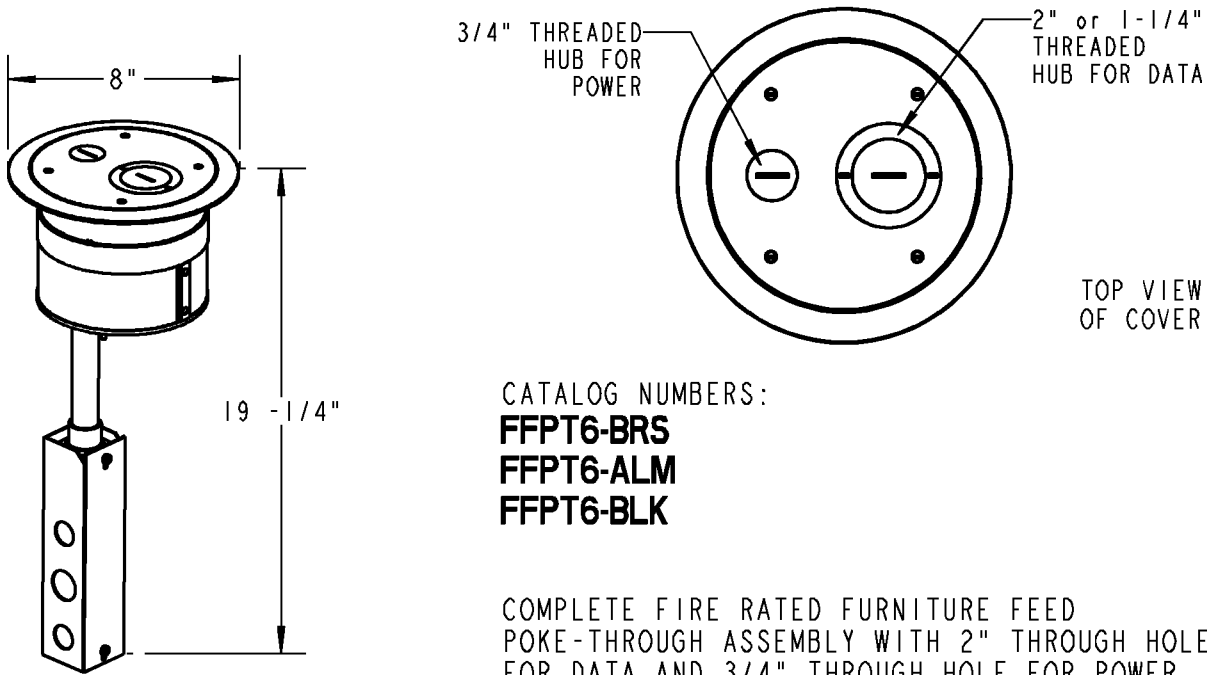


Steel City

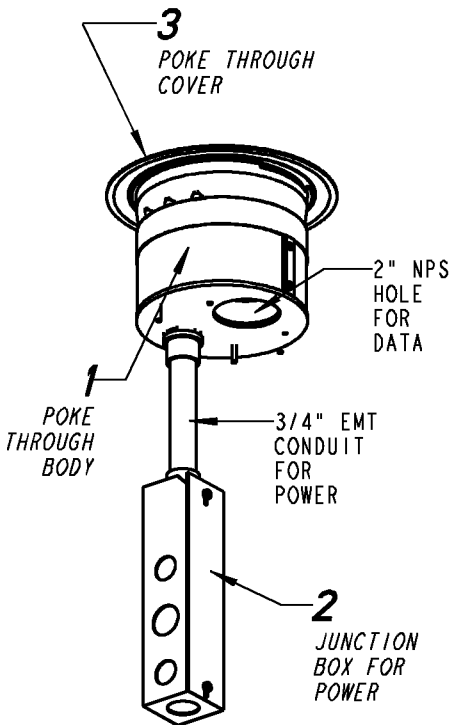


CATALOG NUMBERS:
FFPT6-BRS
FFPT6-ALM
FFPT6-BLK

COMPLETE FIRE RATED FURNITURE FEED
 POKE-THROUGH ASSEMBLY WITH 2" THROUGH HOLE
 FOR DATA AND 3/4" THROUGH HOLE FOR POWER.
 FOR USE IN 6" TO 6-1/8" CORE DRILL HOLE.


INCLUDES:

- 1) POKE THROUGH BODY
- 2) JUNCTION BOX: 27 CU. INCH CAPACITY
 (2) 1/2" K.O.'S AND (1) 3/4" K.O.
 ON (3) SIDES
 (1) 1/2" K.O. AND (2) 3/4" K.O.'S ON BACK
 (1) 3/4" K.O. ON BOTTOM
- 3) ALL METAL COVER, IN SOLID BRASS-BRUSHED,
 FINISH, SOLID ALUMINUM-BRUSHED FINISH, OR
 ALUMINUM WITH BLACK POWDER COATED FINISH.
 INCLUDES FOLLOWING THREADED PLUGS.
 (1) 1-1/4" NPS THREADED PLUG
 (1) 2" NPS THREADED REDUCER PLUG
 (1) 3/4" NPS THREADED PLUG
 * REPLACEMENT COVER FFPT6-CVR-XXX
 AVAILABLE, SEE DRAWING WSD-001520.



SEE SPECIFICATIONS ON SHEET 2



GENERAL NOTES		 A Member of the ABB Group			
1. ALL DIMENSIONS ARE FOR REFERENCE ONLY. 2. DIMENSIONS IN BRACKETS [] ARE IN METRIC UNITS.					
REVISIONS		DESCRIPTION: FFPT6-XXX FURNITURE FEED POKE-THROUGH ASSY XXX - DENOTES COVER MATERIAL OR FINISH			
** SEE ERN (****) FOR APPROVAL SIGNATURES & RELEASE DATE. PROJECT NO: ****		ORIGINAL PROJECT NO / (ERN NO)	SHEET NO:	REV. NO:	DRAWING NO:
		UD55914 / (2016593)	1 OF 2	-	WSD-001518

SPECIFICATIONS:

1. ALL METAL CONSTRUCTION WITH INTUMESCENT MATERIAL (FIRE RETARDANT).
2. CORE-DRILLED HOLE SIZE: 6 TO 6-1/8" DIAMETER
3. UL LISTED AND CLASSIFIED. MEETS OR EXCEEDS UL AND CANADIAN SAFETY SANDARDS.
4. FIRE RATING AND CONCRETE THICKNESS MIN/MAX:
 FOR USE IN 1, 1-1/2 & 2-HOUR RATED FLOORS
 1-HOUR RATED FLOOR
 2-1/4" THICK MINIMUM CONCRETE OVER STEEL DECKING
 3" MINIMUM CONCRETE FOR REINFORCED SLAB
 7-1/2" MAXIMUM CONCRETE THICKNESS
 2-HOUR RATED FLOOR - CONCRETE THICKNESS MIN/MAX:
 3-1/4" THICK MINIMUM CONCRETE OVER STEEL DECKING
 4" MINIMUM CONCRETE FOR REINFORCED SLAB
 7-1/2" MAXIMUM CONCRETE THICKNESS
5. FLOOR COVERINGS:
 FOR USE ON CARPET AND WOOD COVERED CONCRETE FLOORS,
 TILE FLOOR COVERINGS UP TO 3/4" MAXIMUM THICKNESS,
 AND LINOLEUM FLOOR COVERINGS UP TO A MAXIMUM OF
 1/8" THICKNESS
6. MAXIMUM ALLOWABLE COPPER CROSS-SECTIONAL AREA:
 3/4" THRU HOLE POWER = .0815 SQ. INCHES
 2" THRU HOLE DATA = .0960 SQ. INCHES

**COPPER CROSS-SECTIONAL AREA
OF COMMONLY USED CONDUCTORS**

SIZE	SOLID
#24 AWG	0.00032 SQUARE INCHES
#23 AWG	0.00040 SQUARE INCHES
#22 AWG	0.00050 SQUARE INCHES
#14 AWG	0.00323 SQUARE INCHES
#12 AWG	0.00512 SQUARE INCHES
#10 AWG	0.00815 SQUARE INCHES

NOTE: USE ABOVE VALUES FOR SOLID OR STRANDED CONDUCTORS.

www.tnb.com		Thomas & Betts A Member of the ABB Group	
DESCRIPTION: FFPT6-XXX FURNITURE FEED POKE-THROUGH ASSY XXX - DENOTES COVER MATERIAL OR FINISH			
	SHEET NO: 2 OF 2	REV. NO: -	DRAWING NO: WSD-001518