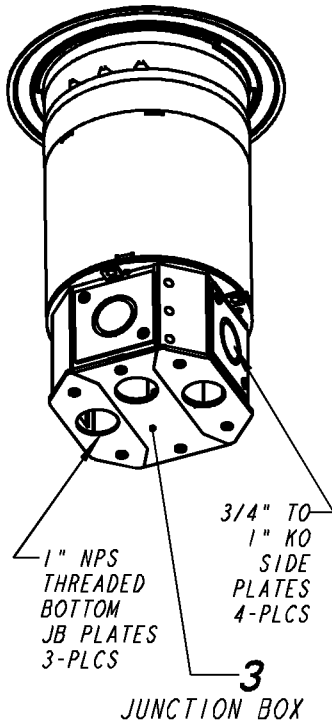
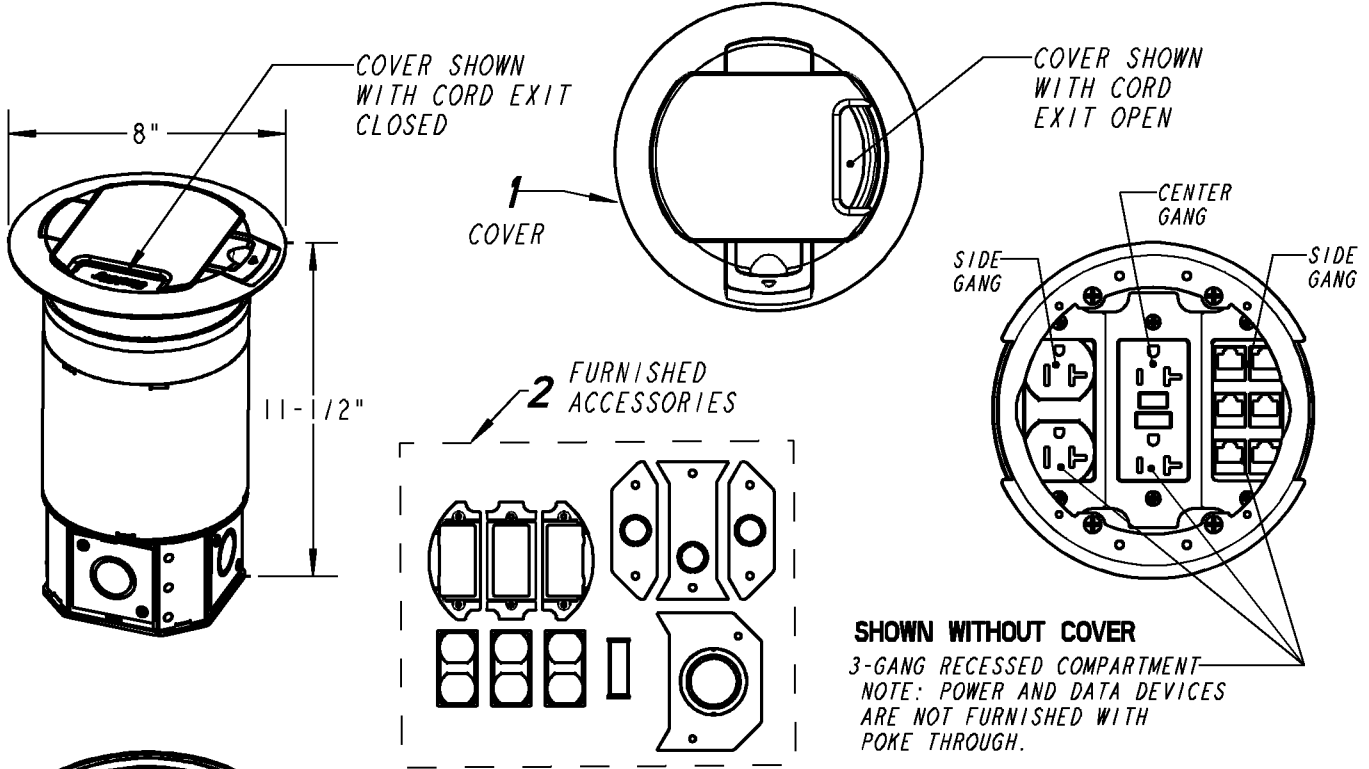


Steel City



CATALOG NUMBERS:

RPT6-3G-BRS, RPT6-3G-ALM, RPT6-3G-BLK

COMPLETE 3-GANG FIRE RATED RECESSED POKE-THROUGH ASSEMBLY FOR USE IN 6" TO 6-1/8" CORE DRILL HOLE, COMPLETE WITH

- 1) COVER
 - 2) FURNISHED ACCESSORIES (DOES NOT INCLUDE DEVICES)
 - 3) JUNCTION BOX
- 1) ALL METAL RECESSED STYLE COVER WITH WIRE/CABLE EXIT IN LID. AVAILABLE IN SOLID BRASS-BRUSH FINISH, SOLID ALUMINUM-BRUSH FINISH, OR ALUMINUM WITH BLACK POWDER COAT FINISH.
* REPLACEMENT COVER RPT6-CVR-XXX AVAILABLE, SEE DRAWING WSD-001522.
 - 2) FURNISHED ACCESSORIES: CENTER AND SIDE DEVICE PLATES, DUPLEX INSERTS, POWER TUNNEL FOR JB, BOTTOM JB PLATES WITH 1/2 TO 3/4 KO'S. 2-GANG BOTTOM JB PLATE WITH 1-1/4 THRU-HOLE AND 2" KO.
 - 3) JUNCTION BOX (JB) THAT CAN BE CONFIGURED FOR POWER, DATA, OR DUAL SERVICE (POWER AND DATA). ASSEMBLED WITH 3/4" TO 1" KO SIDE PLATES AND 1" NPS THREADED BOTTOM PLATES.

SEE SPECIFICATIONS ON SHEET 2
 SEE POWER AND DATA SELECTION ON SHEET 3
 SEE FURNISHED ACCESSORIES ON SHEET 3
 SEE OPTIONAL AVAILABLE PARTS AND PLATES ON SHEET 4



GENERAL NOTES

1. ALL DIMENSIONS ARE FOR REFERENCE ONLY.
2. DIMENSIONS IN BRACKETS [] ARE IN METRIC UNITS.

REVISIONS

*** SEE ERN (****) FOR APPROVAL SIGNATURES & RELEASE DATE.
 PROJECT NO: ****

www.tnb.com

Thomas & Betts

A Member of the ABB Group

DESCRIPTION: **RPT6-3G-XXX RECESSED POKE-THROUGH ASSY**
 XXX - DENOTES COVER MATERIAL OR FINISH

ORIGINAL PROJECT NO / (ERN NO)
UD55914 / (2016593)

SHEET NO:
1 OF 4

REV. NO:
-

DRAWING NO:
WSD-001521

SPECIFICATIONS

1. ALL METAL CONSTRUCTION WITH INTUMESCENT MATERIAL (FIRE RETARDANT).
2. CORE-DRILLED HOLE SIZE: 6 TO 6-1/8" DIAMETER
3. UL LISTED AND CLASSIFIED. MEETS OR EXCEEDS UL AND CANADIAN SAFETY SANDARDS.
4. FIRE RATING AND CONCRETE THICKNESS MIN/MAX:
 FOR USE IN 1, 1-1/2 & 2-HOUR RATED FLOORS
 1-HOUR RATED FLOOR
 2-1/4" THICK MINIMUM CONCRETE OVER STEEL DECKING
 3" MINIMUM CONCRETE FOR REINFORCED SLAB
 7-1/2" MAXIMUM CONCRETE THICKNESS
 2-HOUR RATED FLOOR - CONCRETE THICKNESS MIN/MAX:
 3-1/4" THICK MINIMUM CONCRETE OVER STEEL DECKING
 4" MINIMUM CONCRETE FOR REINFORCED SLAB
 7-1/2" MAXIMUM CONCRETE THICKNESS
5. FLOOR COVERINGS:
 FOR USE ON CARPET AND WOOD COVERED CONCRETE FLOORS, TILE FLOOR COVERINGS UP TO 3/4" MAXIMUM THICKNESS, AND LINOLEUM FLOOR COVERINGS UP TO A MAXIMUM OF 1/8" THICKNESS
6. JUNCTION BOX WITH 56 TOTAL CU. INCH CAPACITY
 SIDE GANG: 16 CU. INCHES - CENTER GANG: 24 CU. INCHES - SIDE GANG: 16 CU. INCHES
8. MAXIMUM ALLOWABLE COPPER CROSS-SECTIONAL AREA IN EACH GANG/CHANNEL.
 POWER OR DATA. SEE CHART BELOW:

<i>SIDE GANG</i>	<i>CENTER GANG</i>	<i>SIDE GANG</i>
0.01920 SQUARE INCHES	0.02445 SQUARE INCHES	0.01920 SQUARE INCHES

COPPER CROSS-SECTIONAL AREA OF COMMONLY USED CONDUCTORS

<i>SIZE</i>	<i>SOLID</i>
#24 AWG	0.00032 SQUARE INCHES
#23 AWG	0.00040 SQUARE INCHES
#22 AWG	0.00050 SQUARE INCHES
#14 AWG	0.00323 SQUARE INCHES
#12 AWG	0.00512 SQUARE INCHES
#10 AWG	0.00815 SQUARE INCHES

NOTE: USE SAME VALUES FOR SOLID OR STRANDED CONDUCTORS.

Thomas & Betts A Member of the ABB Group	
www.tnb.com	
DESCRIPTION: RPT6-3G-XXX RECESSED POKE-THROUGH ASSY XXX - DENOTES COVER MATERIAL OR FINISH	
SHEET NO: 2 OF 4	REV. NO: -
DRAWING NO: WSD-001521	

POWER AND DATA SELECTION

THE RPT6-3G-XXX INCLUDES VOLTAGE DIVIDERS AND WILL ACCEPT ANY COMBINATION OF POWER AND DATA. TWISTLOCK AND GFCI DEVICES ARE LIMITED TO CENTER GANG DUE TO SIZE.

SIDE GANG SUPPORTED DEVICES	CENTER GANG SUPPORTED DEVICES	SIDE GANG SUPPORTED DEVICES
SIDE GANG ACCEPTS DUPLEX POWER DEVICES, RECTANGULAR POWER DEVICES AND RECTANGULAR DATA FRAMES.	TWISTLOCK AND GFCI RECEPTACLES CAN ONLY BE USED IN CENTER GANG. ----- CENTER GANG ALSO ACCEPTS DUPLEX POWER DEVICES, RECTANGULAR POWER DEVICES AND RECTANGULAR DATA FRAMES.	SIDE GANG ACCEPTS DUPLEX POWER DEVICES, RECTANGULAR POWER DEVICES AND RECTANGULAR DATA FRAMES.

FURNISHED ACCESSORIES

THE RPT6-3G-XXX IS FURNISHED TO PROVIDE A SOLUTION TO MOST REQUIREMENTS. OPTIONAL PARTS AND PLATES AVAILABLE FOR TWISTLOCK AND MAAP PLATES (SEE SHEET 4).

FURNISHED ACCESSORIES - CAN BE PURCHASED SEPARATELY

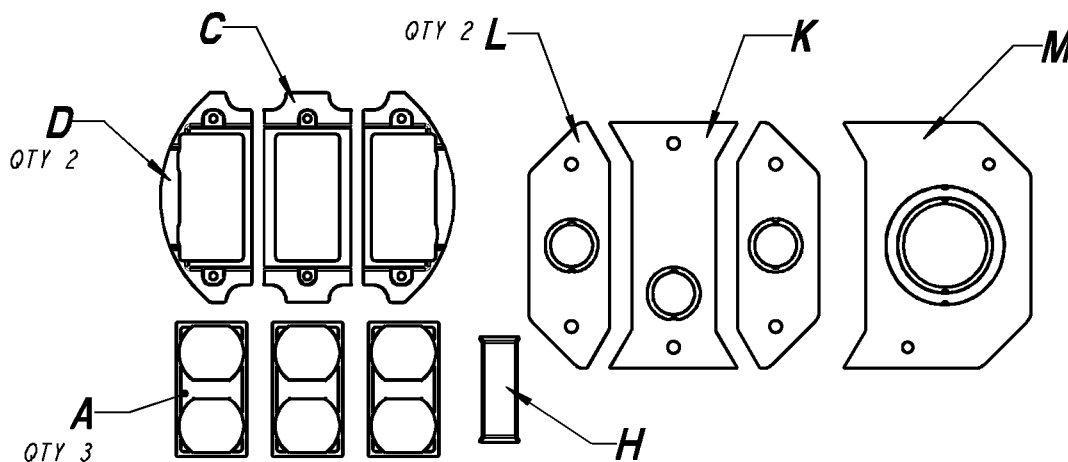
A	QTY 3	DUPLEX INSERT
C	QTY 1	CENTER PLATE
D	QTY 2	SIDE PLATE
H	QTY 1	WIRING TUNNEL

CATALOG NUMBER

68-HP-DI
RPT6-DPC-GFCI
RPT6-DPS-DEC
664-WT

FURNISHED ACCESSORIES - NOT SOLD SEPARATELY

K	QTY 2	COVER, JUNCTION BOX BOTTOM SIDE GANG WITH 3/4 KO
L	QTY 1	COVER, JUNCTION BOX BOTTOM CENTER GANG WITH 3/4 KO
M	QTY 1	COVER, JUNCTION BOX BOTTOM 2 GANG WITH 1-1/2" THRU-HOLE AND 2" KO

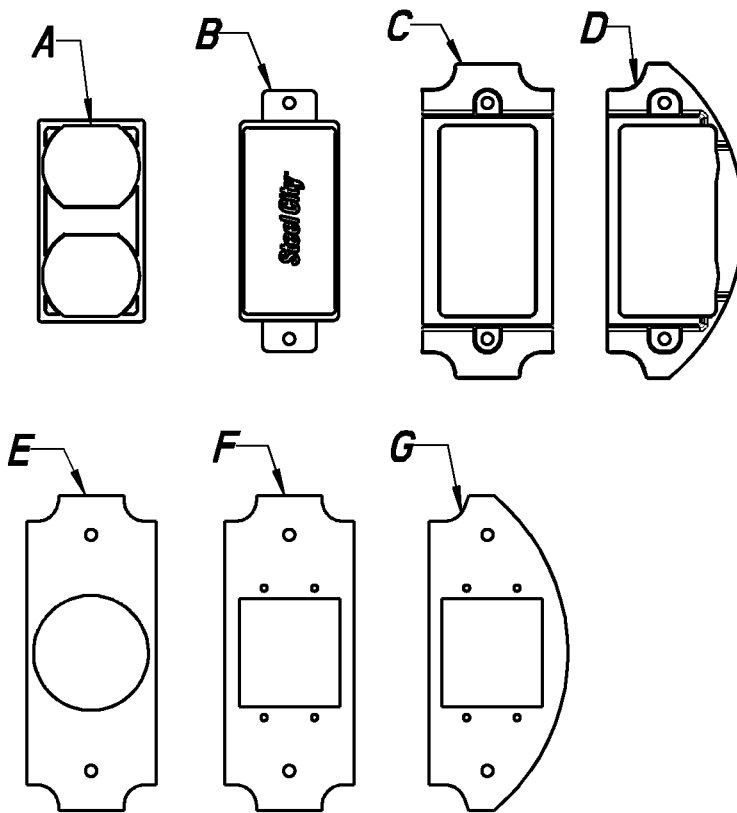


www.tnb.com		Thomas & Betts A Member of the ABB Group	
DESCRIPTION: RPT6 RECESSED POKE-THROUGH ASSY XXX - DENOTES COVER MATERIAL OR FINISH			
	SHEET NO: 3 OF 4	REV. NO:	DRAWING NO: WSD-001521

OPTIONAL PARTS AND PLATES

THE RPT6-3G-XXX CAN BE OUTFITTED WITH OTHER POWER AND DATA PLATES TO MEET YOUR FLOOR BOX REQUIREMENTS. SHOWN ARE SOME OF THE PLATES THOMAS & BETTS OFFERS. CONSULT THE CATALOG OR WEBSITE FOR FURTHER DETAILS.

CATALOG NUMBER	DESCRIPTION
A	68-HP-DI DUPLEX INSERT
B	68-HP-BI BLANK INSERT
C	RPT6-DPC-GFCI CENTER PLATE KIT - GFCI, RECEPTACLE OR DUPLEX
D	RPT6-DPS-DEC SIDE PLATE KIT - RECTANGULAR OR DUPLEX
E	RPT6-DPC-R POWER PLATE 1-9/16 ROUND
F	RPT6-DPC-2MAAP 2-EXTRON MAAP PLATE - CENTER
G	RPT6-DPS-2MAAP 2-EXTRON MAAP PLATE - SIDE



Thomas & Betts A Member of the ABB Group	
www.tnb.com	
DESCRIPTION: RPT6-3G-XXX RECESSED POKE-THROUGH ASSY XXX - DENOTES COVER MATERIAL OR FINISH	
SHEET NO: 4 OF 4	REV. NO: -
DRAWING NO: WSD-001521	