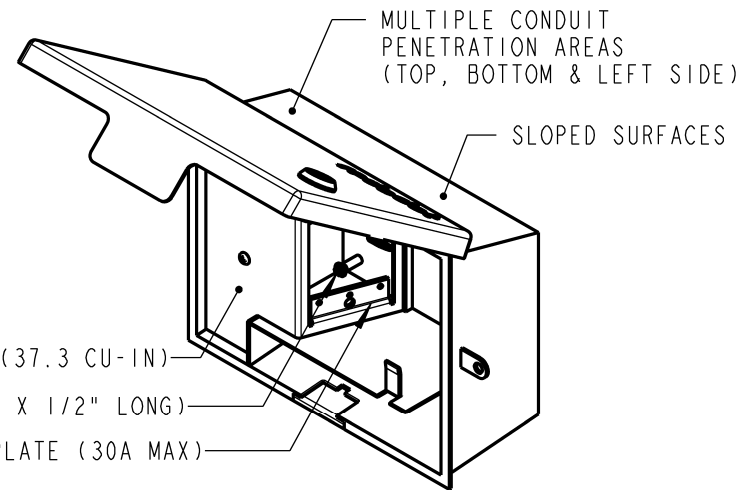
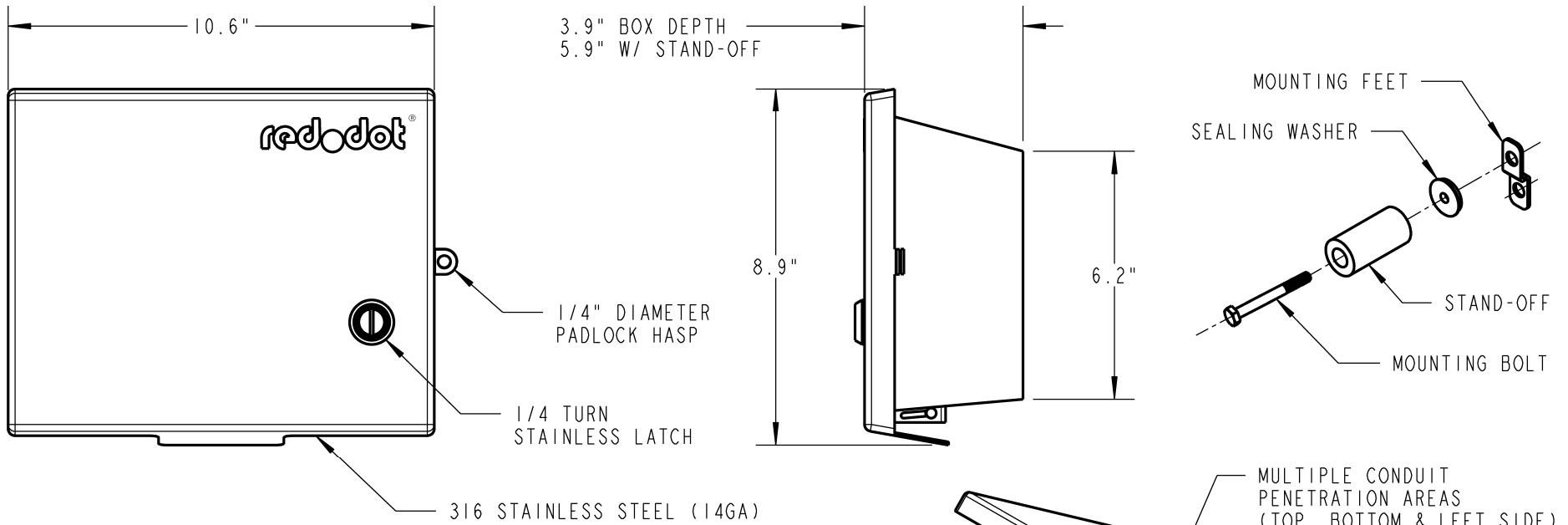





redodot®



NOTES:

- 1) MATERIAL:
BODY, COVER & ASSY PARTS: 316 STAINLESS STEEL
GASKET: SILICONE
- 2) FINISH:
BODY, COVER & ASSY PARTS: MIRROR FINISH
- 3) CONDUIT FITTING SIZE RANGE: 1/2" - 1"
- 4) UL LISTED (4X & EXTRA DUTY)
- 5) NSF LISTED
- 6) MOUNTING KIT (316 STAINLESS UNLESS NOTED)
(4) FEET (4X WALL MOUNTING / OFFSET PENETRATION)
(4) STAND-OFFS FOR 1/4" BOLT (1" OD X 2" LG)
(4) SEALING WASHERS FOR 1/4" BOLT (1" OD, SILICONE BACKED)
(8) BOLTS (1/4-20 x 2-5/8" OVERALL LENGTH, 1" THREADED LENGTH)

www.tnb.com

REVISIONS	GENERAL NOTES	DESCRIPTION:			 A Member of the ABB Group
** SEE ERN (****) FOR APPROVAL SIGNATURES & RELEASE DATE. PROJECT NO: ****	1. ALL DIMENSIONS ARE FOR REFERENCE ONLY. 2. DIMENSIONS IN BRACKETS [] ARE IN METRIC UNITS.	SSE STAINLESS STEEL WIU ORIGINAL PROJECT NO / (ERN NO) 002D000312 / (2016759)			