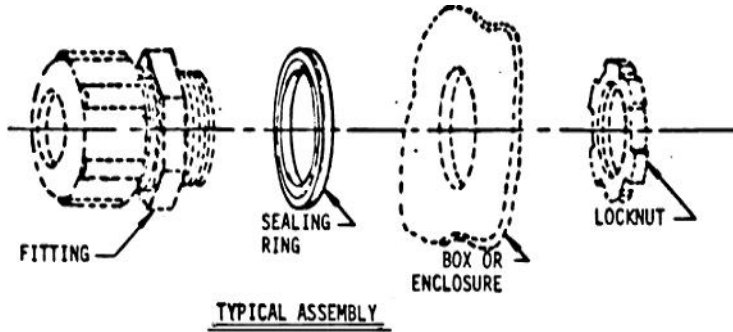


# T&B Liquidtight Fittings

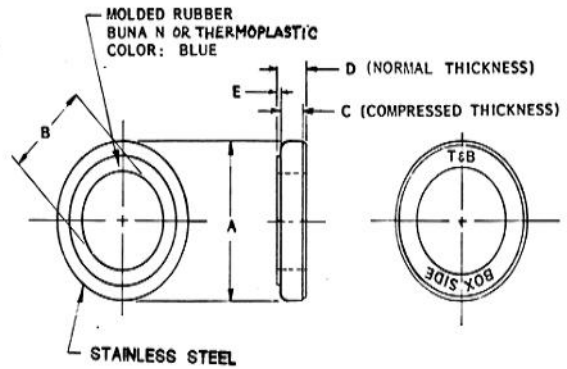


| CAT. NO.   | FIG. | HUB SIZE | ± .01<br>A | ± .020<br>B | ± .01<br>C | ± .020<br>D | ± .015<br>E | ± .030<br>F |
|------------|------|----------|------------|-------------|------------|-------------|-------------|-------------|
| *5299      | 1    | *1/4"    | .80        | .555        | .08        | .11         | .010        | -           |
| *5261      | 1    | *3/8"    | .95        | .690        | .08        | .11         | .010        | -           |
| 5262       | 2    | 1/2"     | 1.16       | .860        | .10        | .177        | .030        | .750        |
| *5262-5000 |      |          |            |             |            |             |             |             |
| 5263       | 2    | 3/4"     | 1.49       | 1.070       | .12        | .194        | .030        | .930        |
| 5264       | 2    | 1"       | 1.75       | 1.335       | .12        | .194        | .030        | 1.170       |
| 5265       | 2    | 1-1/4"   | 2.15       | 1.680       | .14        | .220        | .040        | 1.520       |
| 5266       | 2    | 1-1/2"   | 2.42       | 1.935       | .15        | .230        | .040        | 1.750       |
| 5267       | 2    | 2"       | 2.92       | 2.340       | .15        | .230        | .040        | 2.230       |
| 5268       | 1    | 2-1/2"   | 3.44       | 2.910       | .15        | .23         | .045        | -           |
| 5269       | 1    | 3"       | 4.08       | 3.540       | .15        | .23         | .045        | -           |
| 5270       | 1    | 4"       | 5.29       | 4.550       | .22        | .31         | .045        | -           |

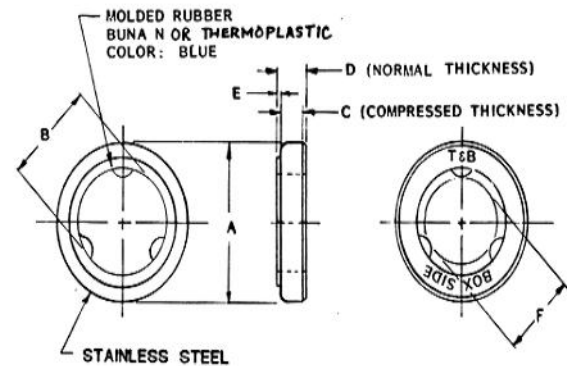
\*SUGGESTED KNOCKOUT SIZE: 1/4 = .578 +/- 1/16

\*NOT UL LISTED 3/8 = .703 +/- 1/16

\*Quantity = 5000



**FIG. 1**



**FIG. 2**

**GENERAL NOTES**

1. ALL DIMENSIONS ARE FOR REFERENCE ONLY.
2. DIMENSIONS IN BRACKETS [ ] ARE IN METRIC UNITS.

www.tnb.com

**Thomas & Betts**  
A Member of the ABB Group

**REVISIONS**

0 SEE ERN ( 2016899 )  
FOR APPROVAL SIGNATURES  
& RELEASE DATE.  
PROJECT NO: RM401890

**DESCRIPTION:**

SEALING RINGS FOR LIQUID TIGHT AND DUST TIGHT SEALING (ALL T&B FITTINGS)

ORIGINAL PROJECT NO / ( ERN NO )

RM401890 / ( 2016899 )

SHEET NO:

1 OF 1

REV. NO:

0

DRAWING NO:

WSD-001558