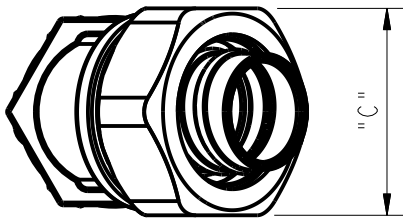


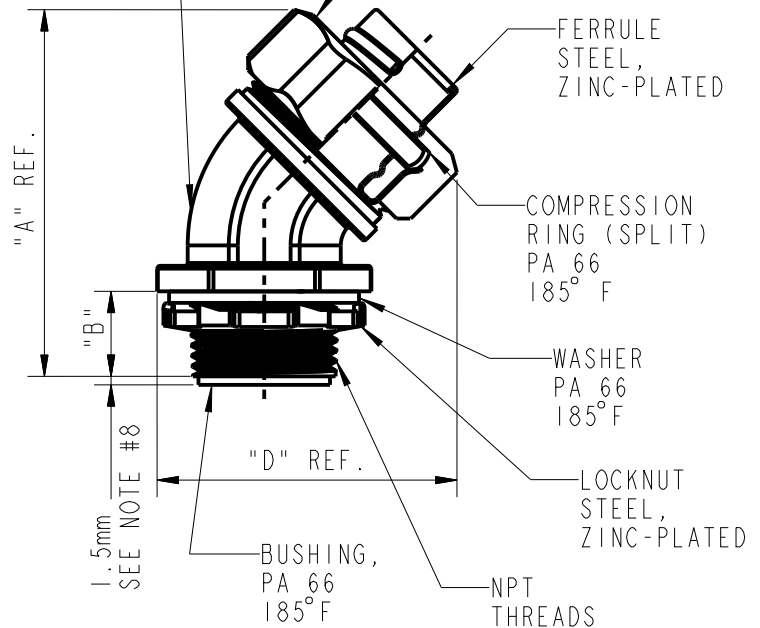


# Steel City®



CONNECTOR BODY  
MALLEABLE IRO,  
ZINC-PLATED

COMPRESSION NUT  
MALLEABLE IRON,  
ZINC-PLATED



## NOTES:

1. ALL PRODUCTS ARE cULus LISTED.
2. INSULATED VERSIONS HAVE A PA 66 BUSHING INSTALLED.
3. PRODUCTS ARE COMPLIANT TO ROHS DIRECTIVE 2011/65/EU.

NON-INSULATED	INSULATED						
CAT. NO.	CAT. NO.	SIZE	NPT	"A"mm	"B"mm	"C"mm	"D"mm
LT438-SC	LT438T-SC	3/8"	1/2"-14	59.2	14	27	44.4
LT450-SC	LT450T-SC	1/2"	1/2"-14	58.6	14	31	47
LT475-SC	LT475T-SC	3/4"	3/4"-14	66.2	15	36.5	52.9
LT4100-SC	LT4100T-SC	1"	1"-11 1/2	78.2	16.5	43.5	64.2
LT4125-SC	LT4125T-SC	1-1/4"	1-1/4"-11 1/2	90.6	17.5	55	76.3
LT4150-SC	LT4150T-SC	1-1/2"	1-1/2"-11 1/2	98.6	18	61	86.4
LT4200-SC	LT4200T-SC	2"	2"-11 1/2	111.8	19	76.2	104
LT4250-SC	LT4250T-SC	2-1/2"	2-1/2"-8	177.2	26	92	142
LT4300-SC	LT4300T-SC	3"	3"-8	186.6	27	116.5	160.9
LT4350-SC	LT4350T-SC	3-1/2"	3-1/2"-8	201.5	28	125	175.4
LT4400-SC	LT4400T-SC	4"	4"-8	212	29	149.1	187.5

### GENERAL NOTES

1. ALL DIMENSIONS ARE FOR REFERENCE ONLY.
2. DIMENSIONS IN BRACKETS [ ] ARE IN METRIC UNITS.

www.tnb.com

**Thomas & Betts**

A Member of the ABB Group

DESCRIPTION: **3/8" TO 4" MALLEABLE IRON,  
45° LIQUIDTIGHT FITTINGS, STEEL CITY**

### REVISIONS

0 SEE ERN ( \*\*\* )  
FOR APPROVAL SIGNATURES  
& RELEASE DATE.  
PROJECT NO: \*\*\*

ORIGINAL PROJECT NO / ( ERN NO )

SHEET NO:

REV. NO:

DRAWING NO:

01P000681 / ( 2017534 )

1 OF 2

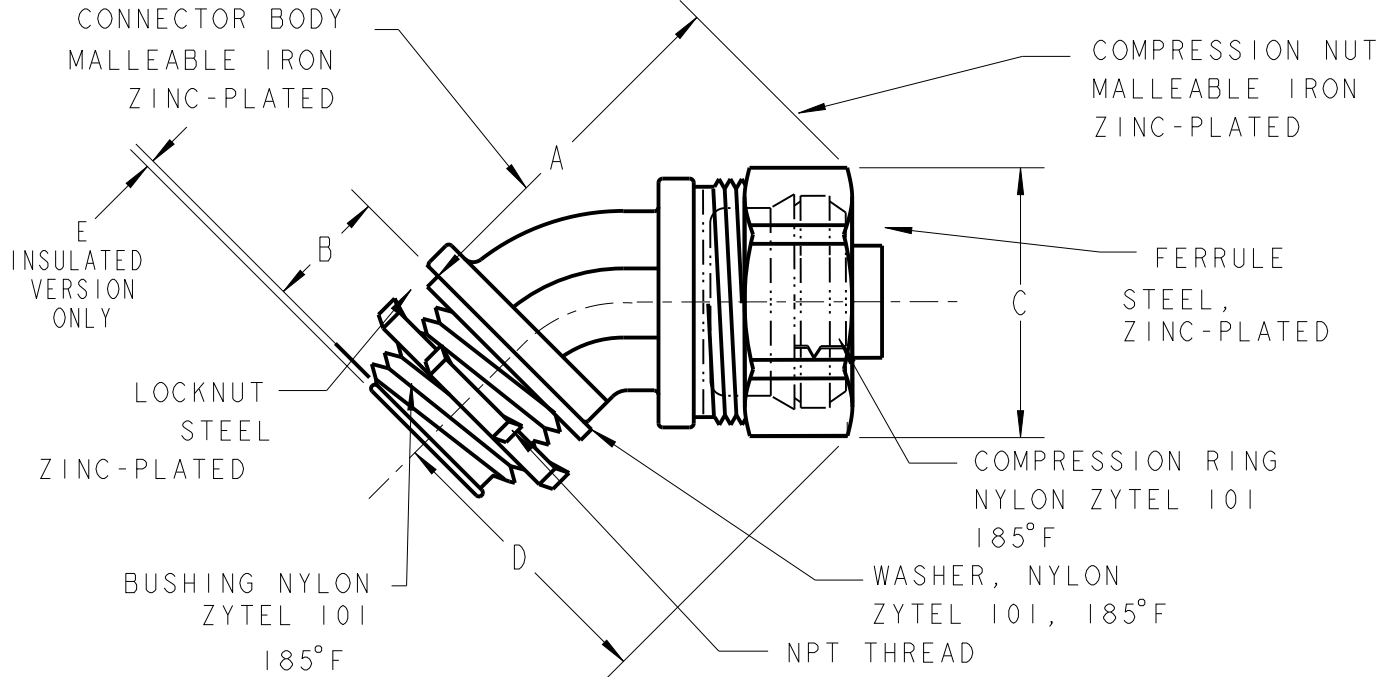
0

WSD-001716



# Steel City®

## ALTERNATE CONSTRUCTION



\* ADD A 'T' TO CATALOG NO. FOR INSULATED VERSION (EXAMPLE LT438T-SC).

T&B CAT NO.*	SIZE	NPT	A±.031	B±.031	C±.031	D±.031	E±.020
LT438-SC	3/8"	1/2-14	2.060	.520	1.200	1.300	.060
LT450-SC	1/2"	1/2-14	2.000	.520	1.330	1.400	
LT475-SC	3/4"	3/4-14	2.190	.550	1.585	1.770	
LT4100-SC	1"	1-11 1/2	2.470	.650	1.840	1.900	
LT4125-SC	1-1/4"	1 1/4-11 1/2	3.000	.675	2.250	2.200	
LT4150-SC	1-1/2"	1 1/2-11 1/2	3.100	.685	2.500	2.330	
LT4200-SC	2"	2-11 1/2	3.750	.750	3.000	2.660	

T&B CAT NO.	SIZE	NPT	A±.062	B±.062	C±.062	D±.062	E±.020
LT4250-SC	2 1/2"	2 1/2-8	7.500	1.065	4.040	4.930	.100
LT4300-SC	3"	3-8	8.665	1.120	4.840	5.400	
LT4350-SC	3 1/2"	3 1/2-8	9.900	1.180	5.530	6.270	
LT4400-SC	4"	4-8	11.800	1.250	6.120	7.420	

### GENERAL NOTES

- ALL DIMENSIONS ARE FOR REFERENCE ONLY.
- DIMENSIONS IN BRACKETS [ ] ARE IN METRIC UNITS.

### REVISIONS

0 SEE ERN ( \*\*\* ) FOR APPROVAL SIGNATURES & RELEASE DATE. PROJECT NO: \*\*\*

www.tnb.com

**Thomas & Betts**

A Member of the ABB Group

DESCRIPTION: **3/8" TO 4" MALLEABLE IRON, 45° LIQUIDTIGHT FITTINGS, STEEL CITY**

ORIGINAL PROJECT NO / ( ERN NO )

01P000681 / ( 2017534 )

SHEET NO:

2 OF 2

REV. NO:

0

DRAWING NO:

WSD-001716