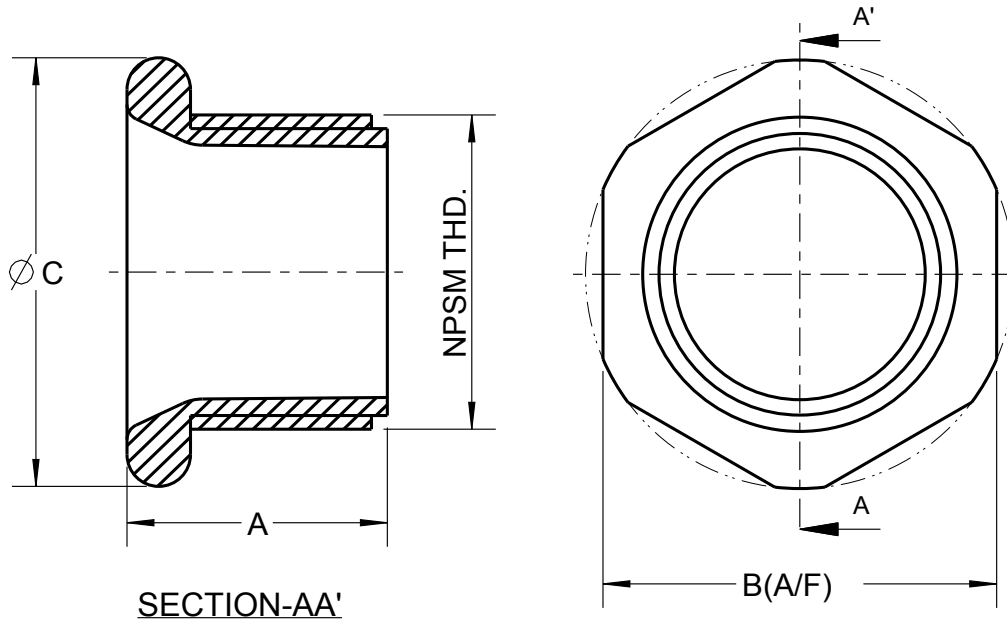




# Steel City



**NOTES:**

1. MATERIAL: ZINC DIE CAST
2. THREADS ARE NPSM
3. ALL DIMENSIONS ARE NOMINAL, FOR REFERENCE ONLY

CAT#	SIZE	A	B	Ø C
HA 201	1/2"	16.4 (0.646)	25.0 (0.984)	27.0 (1.063)
HA 202	3/4"	17.7 (0.697)	30.0 (1.181)	32.0 (1.260)
HA 203	1"	20.3 (0.799)	38.0 (1.496)	41.0 (1.614)
HA 204	1-1/4"	23.8 (0.937)	45.0 (1.772)	47.5 (1.870)
HA205	1-1/2"	27.0 (1.063)	53.5 (2.106)	56.5 (2.225)
HA 206	2"	27.0 (1.063)	66.2 (2.606)	71.0 (2.795)
HA 207	2-1/2"	28.0 (1.102)	78.0 (3.071)	84.0 (3.307)
HA 208	3"	32.0 (1.260)	94.5 (3.720)	102.0 (4.016)
HA 209	3-1/2"	32.0 (1.260)	107.8 (4.244)	114.0 (4.488)
HA210	4"	32.0 (1.260)	119.0 (4.685)	129.0 (5.079)

GENERAL NOTES		 A Member of the ABB Group			
1. ALL DIMENSIONS ARE FOR REFERENCE ONLY. 2. DIMENSIONS IN BRACKETS [ ] ARE IN METRIC UNITS.					
REVISIONS		DESCRIPTION: <h2>CONDUIT NIPPLES</h2>			
0 SEE ERN (****) FOR APPROVAL SIGNATURES & RELEASE DATE. PROJECT NO: ****					
ORIGINAL PROJECT NO / (ERN NO)		SHEET NO:	REV. NO:	DRAWING NO:	
010M001141(2017617)		1 OF 1	0	WSD-001751	