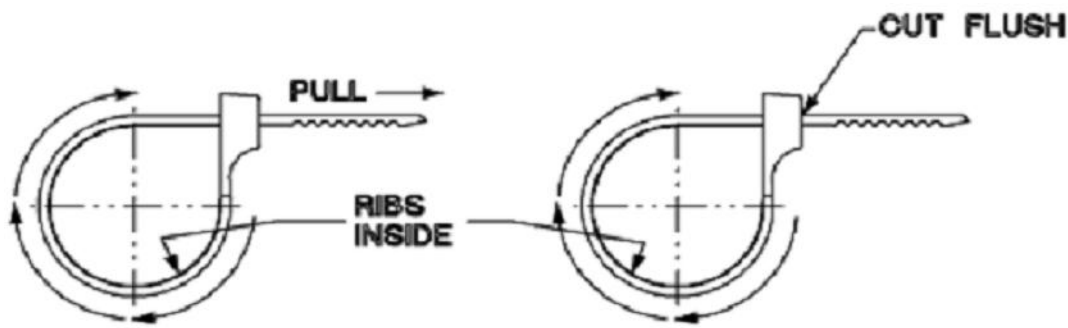


CATALOG NO.	MAX. BUNDLE DIA.	TENSILE	A	B	C	D
TY23MFR	0.625 [15.8]	18 [81]	3.62 [91.9]	0.093 [2.36]	0.153 [3.89]	0.190 [4.83]
TY24MFR	1.125 [28.6]	40 [178]	5.50 [139.7]	0.138 [3.51]	0.177 [4.50]	0.247 [6.27]
TY25MFR	1.75 [44.4]	50 [222]	7.31 [185.6]	0.180 [4.57]	0.235 [5.97]	0.320 [8.13]
TY27MFR	3.5 [88.9]	120 [534]	13.20 [335.3]	0.300 [7.62]	0.375 [9.53]	0.512 [13]
TY28MFR	4.00 [101.6]	50 [222]	14.20 [360.6]	0.180 [4.57]	0.235 [5.97]	0.320 [8.13]
TY272MFR	2.00 [50.8]	120 [534]	8.00 [203.2]	0.275 [6.99]	0.265 [6.73]	0.507 [12.8]
TY53MFR	0.625 [15.8]	18 [81]	4.00 [101.6]	0.090 [2.29]	0.153 [3.89]	0.174 [4.42]



1. SLIP CABLE TIE AROUND BUNDLE AND PLACE TIP THROUGH HUB, PULL UP HAND TIGHT.
2. COMPLETE INSTALLATION USING INSTALLING TOOL ERG299 {M} (MS90387-1) WT199 (MS-90387-1), WT193

NOTES:

1. MATERIAL: FLAME RETARDANT NYLON 66
2. MAX. CONTINUOUS USE TEMP: 149° F/ 65° C
3. FLAMMABILITY RATING: UL94V-0

00 SEE ERN \*\*  
FOR APPROVAL SIGNATURES  
& RELEASE DATE.  
PROJECT NO: \*\*

MATERIAL NOTE: ALL MATL'S  
AND PLATING MUST BE "RoHS"  
COMPLIANT PER EMS0-0 AND  
EMS0-1.

REVISED BY: DATE

TOLERANCE FOR TOTAL LENGTH (IN)
( 0 to 6 ) +0.05 / - 0
( >6 to 12 ) +0.06 / - 0
( >12 to 36 ) +0.125 / - 0
( > 36 ) +0.250 / - 0

001	DESCRIPTION	
ITEM	DESCRIPTION	
MATERIAL: ****	DIMENSIONS ARE IN:	
FINISH: ****	<input checked="" type="checkbox"/> ENGLISH <input type="checkbox"/> METRIC <input type="checkbox"/> DUAL	
HEAT TREAT: ****	DRAWN BY: JFERRIS	DATE: 7/13/17
UNLESS OTHERWISE SPECIFIED, DIMENSIONAL TOLERANCES ARE:	REVIEWED BY: SEE LATEST ERN DOCUMENT	
	ORIGINAL PROJECT NO. FM401183	
THIRD ANGLE PROJECTION	ORIGINAL ERN NO. 2018086	Thomas&Betts MEMPHIS, TN
TY-RAP CABLE TIES (FIRE RETARDANT) (SELF-CLINCHING)		SIZE: B SCALE: NTS SHEET: 1 OF 1
DRAWING NO: WSD-001845		REV: 00