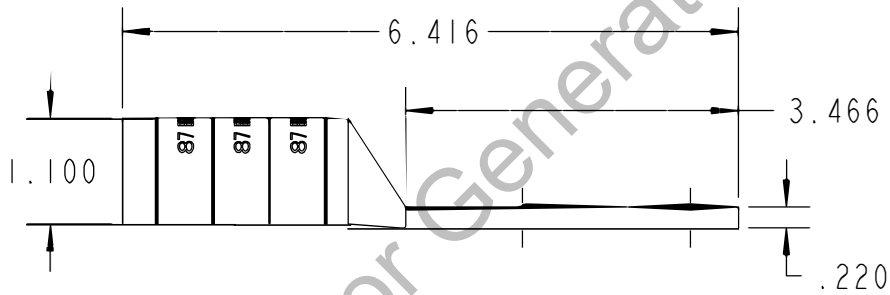
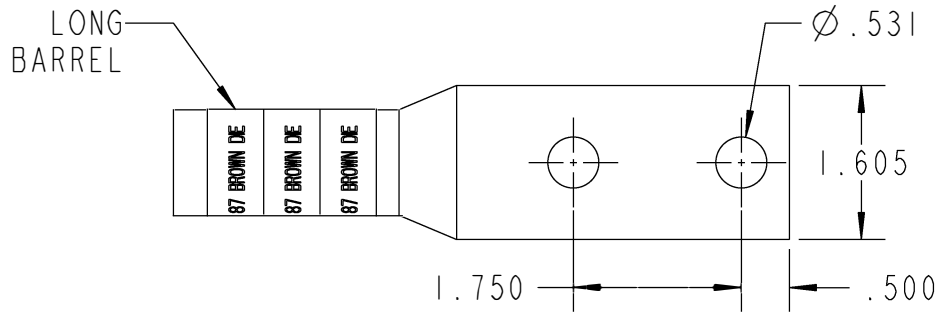
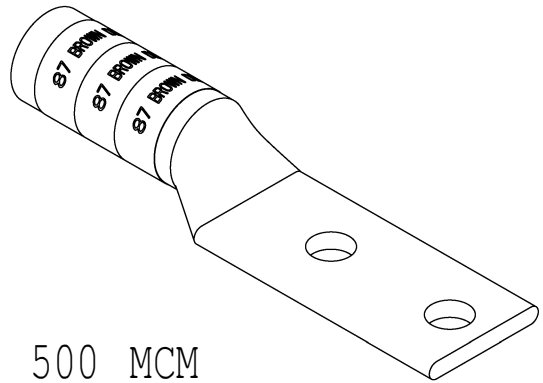


Color-Keyed[®]

CATALOG NO. 54876BEB



Configurator Generated



WIRE SIZE: 350 WELD, 400 WELD, 500 MCM
 MATERIAL: HIGH CONDUCTIVITY COPPER FINISH:
 TIN PLATED

| | | | | | | |
|---|--|---|----------------------------------|-----------|----------|------------------------|
| GENERAL NOTES | | Thomas & Betts <small>www.tnb.com</small> | | | | |
| 1. ALL DIMENSIONS ARE FOR REFERENCE ONLY. 2. DIMENSIONS IN BRACKETS [] ARE IN METRIC UNITS. | | | | | | |
| REVISIONS | | 2 HOLE LUG | | | | |
| ** SEE ERN (****) FOR APPROVAL SIGNATURES & RELEASE DATE. PROJECT NO: **** | | DESCRIPTION: | ORIGINAL PROJECT NO / (ERN NO) | SHEET NO: | REV. NO: | DRAWING NO: WSD-002150 |
| | | | / () | 1 OF 1 | 0 | 54876BEB |