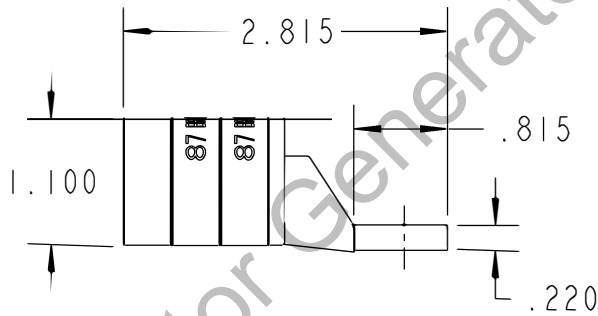
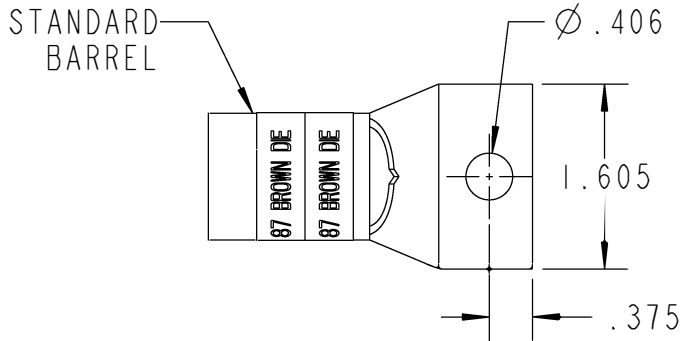
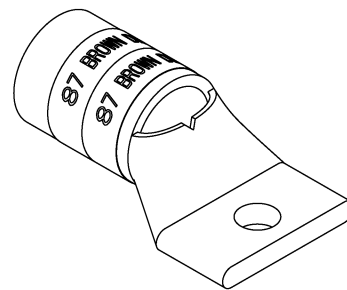


# Color-Keyed<sup>®</sup>

CATALOG NO. 256-30695-339



Configurator Generated



WIRE SIZE: 350 WELD, 400 WELD, 500 MCM  
 MATERIAL: HIGH CONDUCTIVITY COPPER  
 FINISH: TIN PLATED

<b>GENERAL NOTES</b>		<b>Thomas &amp; Betts</b> <small>www.tnb.com</small>			
1. ALL DIMENSIONS ARE FOR REFERENCE ONLY. 2. DIMENSIONS IN BRACKETS [ ] ARE IN METRIC UNITS.					
<b>REVISIONS</b>		<b>1 HOLE LUG</b>			
** SEE ERN ( **** ) FOR APPROVAL SIGNATURES & RELEASE DATE. PROJECT NO: ****		DESCRIPTION: ORIGINAL PROJECT NO / ( ERN NO ) / ( )	SHEET NO: 1 OF 1	REV. NO: 0	DRAWING NO: <b>WSD-002230</b> <b>256-30695-339</b>