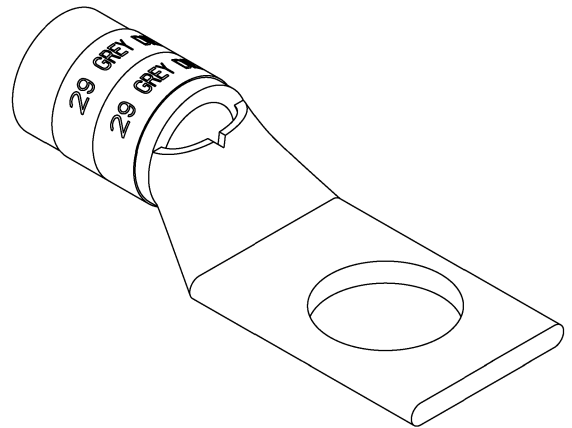
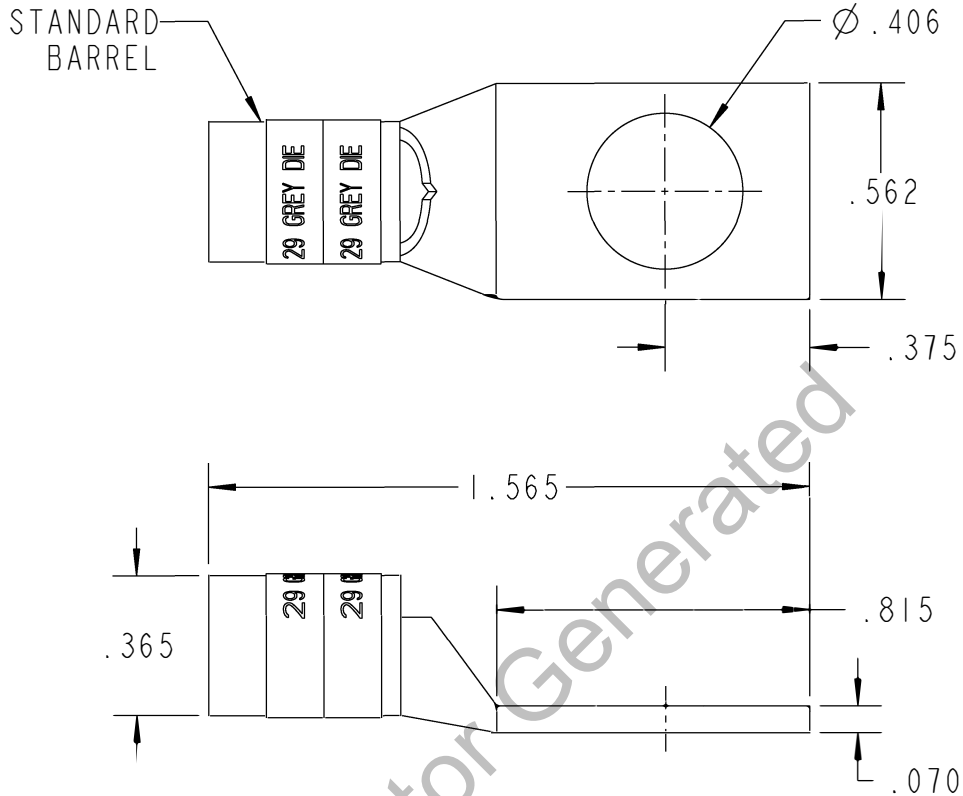


Color-Keyed[®]

CATALOG NO. 54140



WIRE SIZE: #4 AWG
 MATERIAL: HIGH CONDUCTIVITY
 COPPERFINISH: TIN PLATED

GENERAL NOTES

1. ALL DIMENSIONS ARE FOR REFERENCE ONLY.
2. DIMENSIONS IN BRACKETS [] ARE IN METRIC UNITS.

REVISIONS

SEE ERN (****)
 FOR APPROVAL SIGNATURES
 & RELEASE DATE.
 PROJECT NO: ****

Thomas & Betts
 www.tnb.com

DESCRIPTION:

1 HOLE LUG

ORIGINAL PROJECT NO / (ERN NO)

/ ()

SHEET NO:

1 OF 1

REV. NO:

B

DRAWING NO: WSD-002352

54140