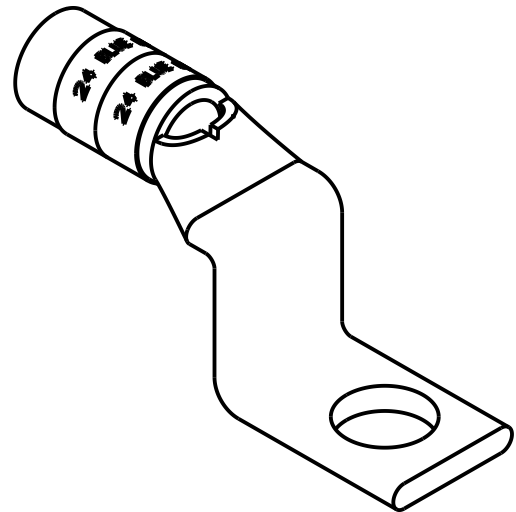
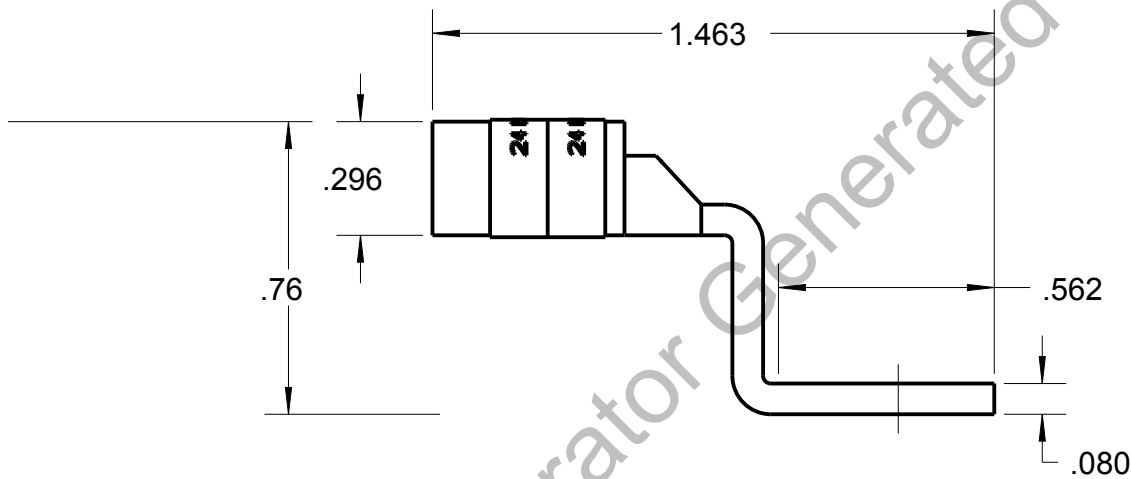
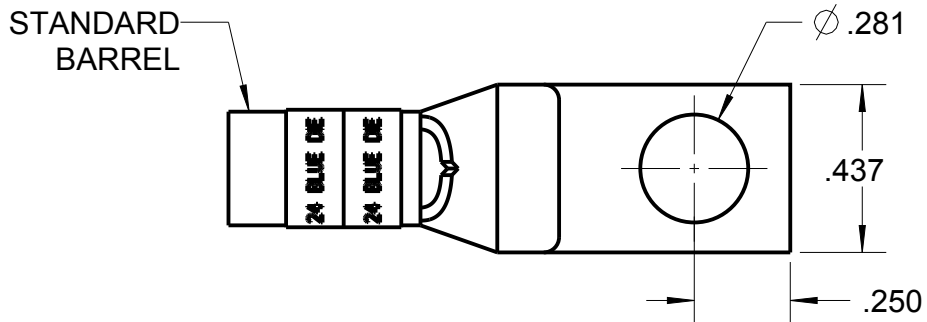


Blackburn Compression

Featuring the Color-Keyed® System

CATALOG NO. 54105T



WIRE SIZE: # 6 AWG
 MATERIAL: HIGH CONDUCTIVITY COPPER
 FINISH: TIN PLATED

GENERAL NOTES

1. ALL DIMENSIONS ARE FOR REFERENCE ONLY.
2. DIMENSIONS IN BRACKETS [] ARE IN METRIC UNITS.

REVISIONS

** SEE ERN (****) FOR APPROVAL SIGNATURES & RELEASE DATE.
 PROJECT NO: ****

Thomas & Betts
 www.tnb.com

DESCRIPTION:

1 HOLE LUG

ORIGINAL PROJECT NO / (ERN NO)

/ ()

SHEET NO:

1 OF 1

REV. NO:

0

DRAWING NO: SWD-002774

54105T