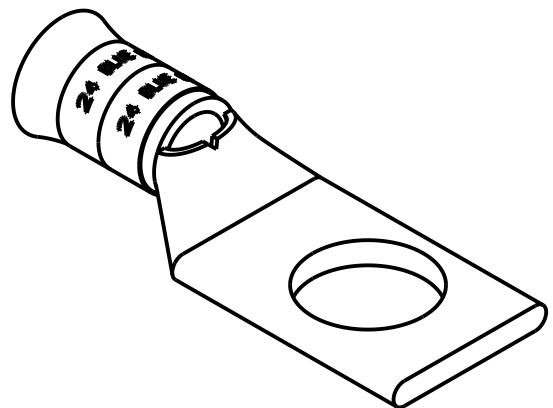
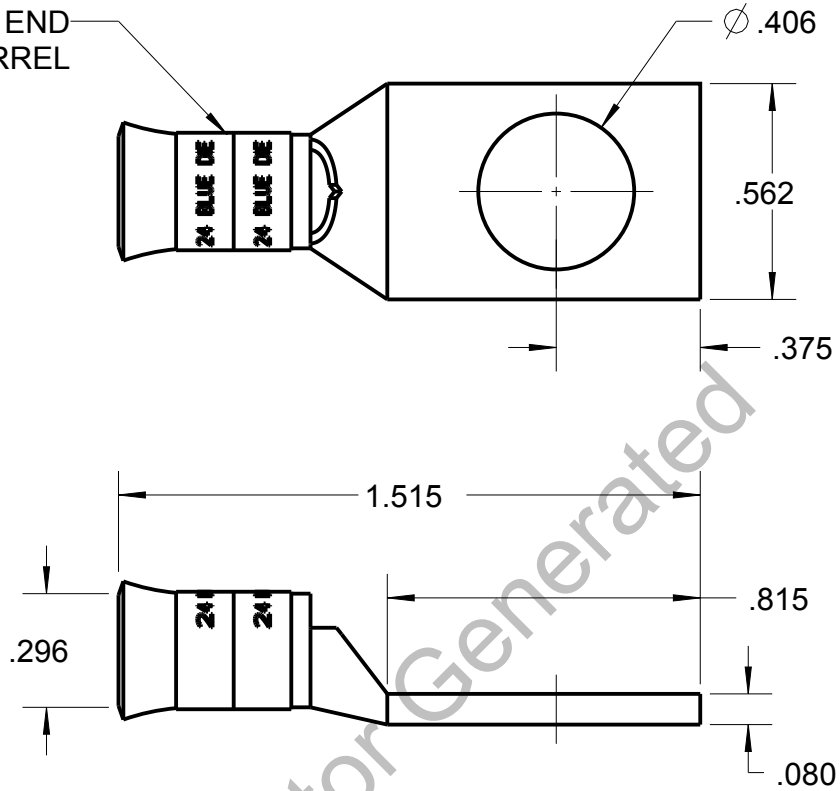


# Blackburn Compression


Featuring the Color-Keyed® System

CATALOG NO. 54136BS

STANDARD BELLED END  
BARREL



WIRE SIZE: # 6 AWG  
MATERIAL: HIGH CONDUCTIVITY COPPER  
FINISH: TIN PLATED

GENERAL NOTES		 www.tnb.com			
1. ALL DIMENSIONS ARE FOR REFERENCE ONLY. 2. DIMENSIONS IN BRACKETS [ ] ARE IN METRIC UNITS.					
REVISIONS		DESCRIPTION: 1 HOLE LUG			
**	SEE ERN (****) FOR APPROVAL SIGNATURES & RELEASE DATE. PROJECT NO: ****	ORIGINAL PROJECT NO / (ERN NO)	SHEET NO:	REV. NO:	DRAWING NO: WSD-002933
		/ ( )	1 OF 1	0	54136BS