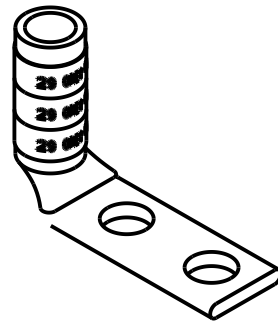
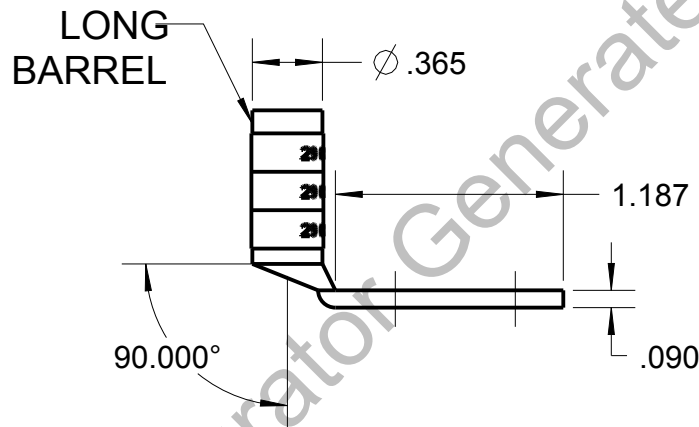
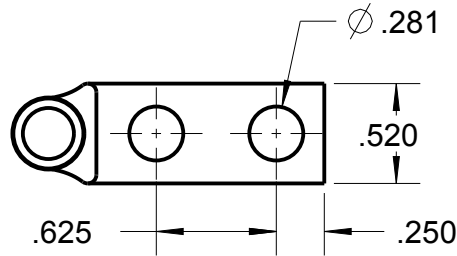


Blackburn Compression

Featuring the Color-Keyed® System

CATALOG NO. 54854BEUB



WIRE SIZE: # 4 AWG
 MATERIAL: HIGH CONDUCTIVITY COPPER
 FINISH: TIN PLATED

GENERAL NOTES		Thomas & Betts www.tnb.com			
1. ALL DIMENSIONS ARE FOR REFERENCE ONLY. 2. DIMENSIONS IN BRACKETS [] ARE IN METRIC UNITS.					
REVISIONS		ORIGINAL PROJECT NO / (ERN NO)			
** SEE ERN (****) FOR APPROVAL SIGNATURES & RELEASE DATE. PROJECT NO: ****		SHEET NO: 1 OF 1		REV. NO: 0	
		DRAWING NO: WSD-003174 54854BEUB			