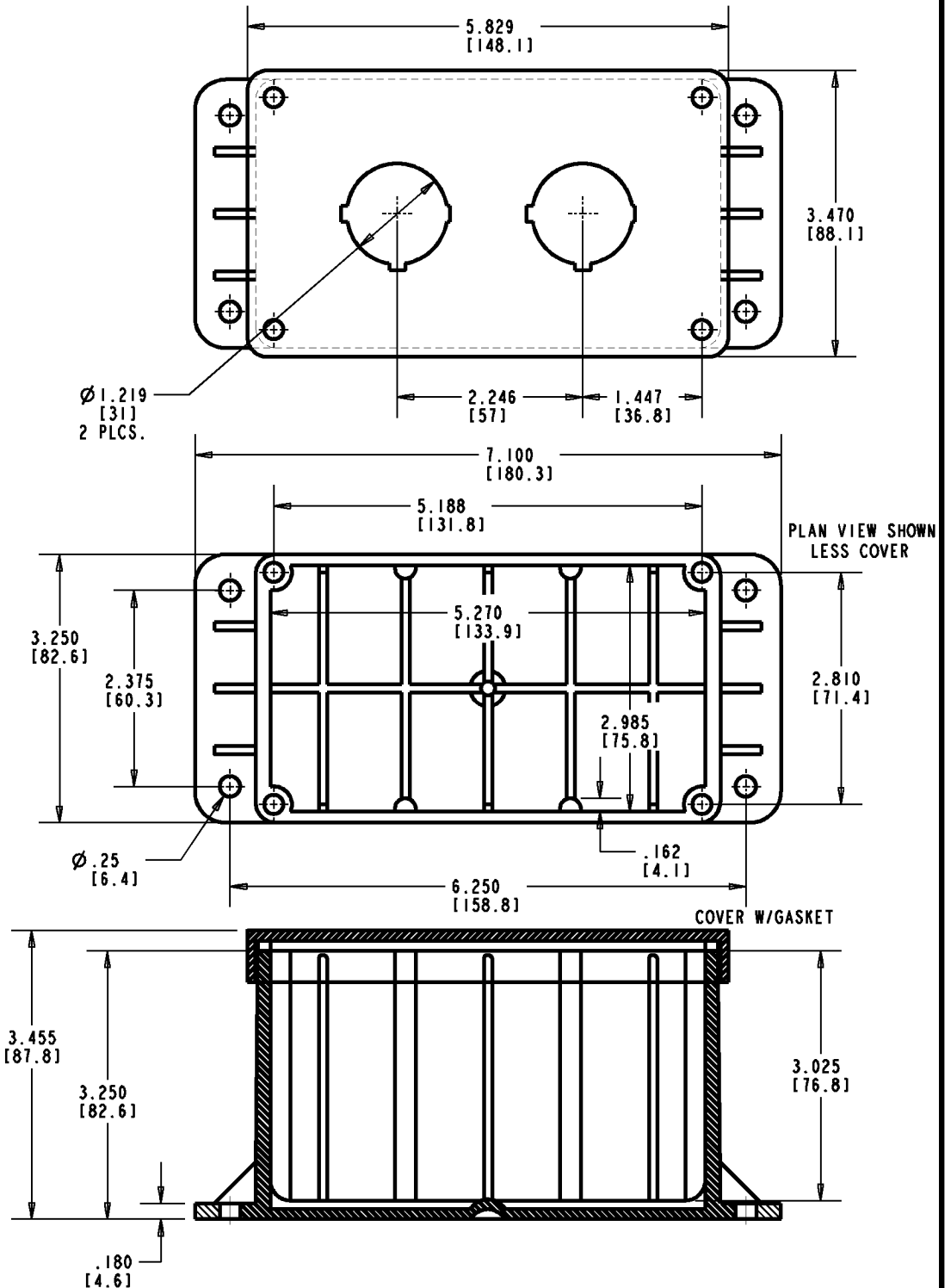


Carlton®



PART NO.	DESCRIPTION
CP200N	TWO BUTTON
CP200NB	BLANK COVER

GENERAL NOTES

- ALL DIMENSIONS ARE FOR REFERENCE ONLY.
- DIMENSIONS IN BRACKETS [] ARE IN METRIC UNITS.

REVISIONS

SEE ERN (****) FOR APPROVAL SIGNATURES & RELEASE DATE.
PROJECT NO: ****

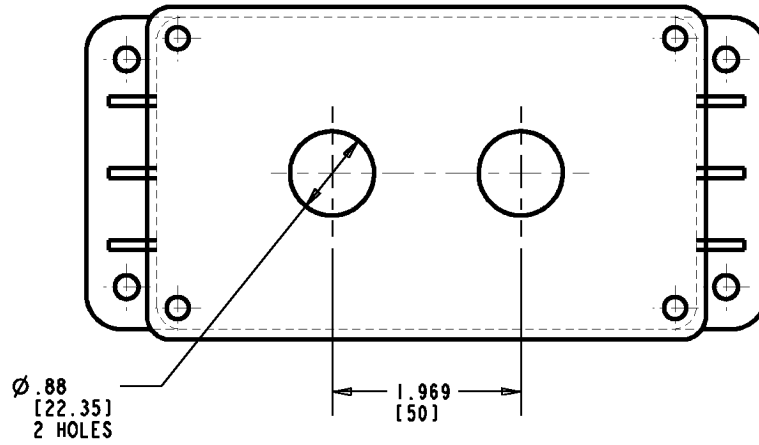
Thomas & Betts
www.tnb.com

DESCRIPTION: **PUSH BUTTON ENCLOSURE**

ORIGINAL PROJECT NO / (ERN NO) / ()	SHEET NO: 1 OF 2	REV. NO: C	DRAWING NO: WSD-AC01671
---	---------------------	---------------	----------------------------

Carlton®

P/N PX0007



GENERAL NOTES

1. ALL DIMENSIONS ARE FOR REFERENCE ONLY.
2. DIMENSIONS IN BRACKETS [] ARE IN METRIC UNITS.

REVISIONS

** SEE ERN (****)
 FOR APPROVAL SIGNATURES
 & RELEASE DATE.
 PROJECT NO: ****

Thomas & Betts
www.tnb.com

DESCRIPTION: **PUSH BUTTON ENCLOSURE**

ORIGINAL PROJECT NO / (ERN NO)

/ ()

SHEET NO:

2 OF 2

REV. NO:

C

DRAWING NO:

WSD-AC01671