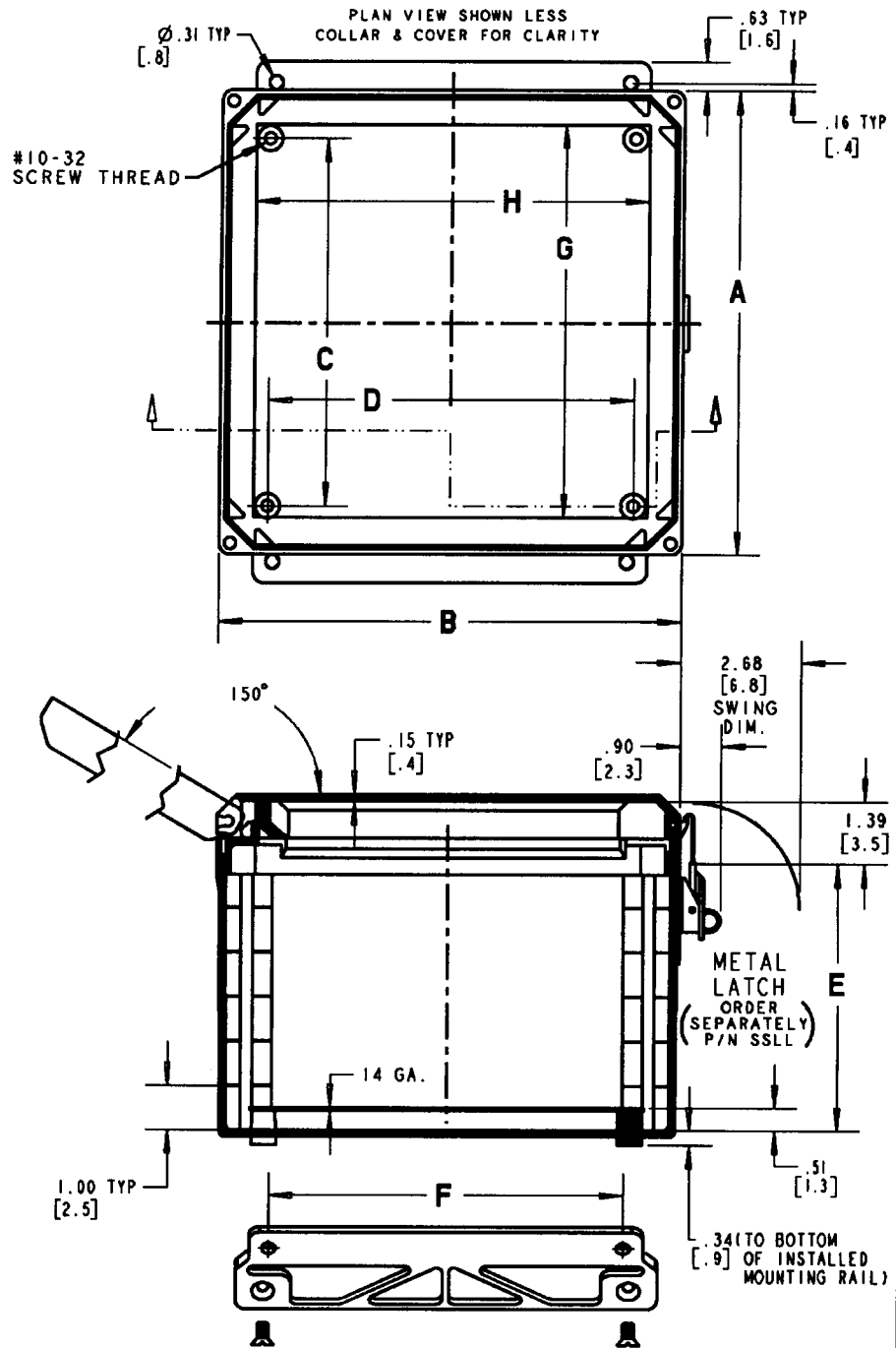


# Carlton




LEGEND EXAMPLE

N I 644

ENCLOSURE SIZE

COVER TYPE  
I=CLEAR COVER WO/LATCH  
H=OPAQUE COVER WO/LATCH

NEMA TYPE 1-3-3S-12-4/4X

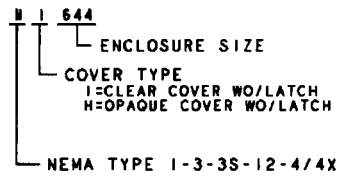
<b>GENERAL NOTES</b> 1. ALL DIMENSIONS ARE FOR REFERENCE ONLY. 2. DIMENSIONS IN BRACKETS [ ] ARE IN METRIC UNITS.	<b>PROJECT #</b> <b>5AM 91009</b>	<b>ERN#</b> (2010997)	 <small>www.tnb.com</small>		
	<b>DESCRIPTION: HIDDEN HINGE ENCLOSURE (NH/NI SERIES)</b>				
<b>REVISIONS</b> ** SEE ERN (****) FOR APPROVAL SIGNATURES & RELEASE DATE. PROJECT NO: ****	<b>ORIGINAL PROJECT NO / (ERN NO)</b> / ( )	<b>SHEET NO:</b> 1 OF 2	<b>REV. NO:</b> D	<b>DRAWING NO:</b> <b>WSD-AC02094</b>	

THIS DRAWING IS INTENDED FOR DESCRIPTIVE PURPOSES ONLY. AND THE RIGHT IS RESERVED TO DEVIATE FROM ANY OF THE DETAILS SHOWN HEREON.  
 ©2008 Thomas & Betts - Proprietary. All Rights Reserved

# Carlton

SIZE	BACK PANEL	
	G	H
JP64	4.88 (124.0)	2.88 (73.2)
JP66	4.88 (124.0)	4.88 (124.0)
JP86	6.75 (171.3)	4.88 (124.0)
JP88	6.75 (171.3)	6.88 (174.8)
JP108	8.75 (222.3)	6.88 (174.8)
JP1010	8.75 (222.3)	8.88 (225.6)
JP1210	10.75 (273.1)	8.88 (225.6)
JP1212	10.75 (273.1)	10.88 (276.4)
JP1412	12.75 (323.9)	10.88 (276.4)
JP1614	14.75 (374.6)	12.88 (327.2)

### LEGEND EXAMPLE



SIZE	A	B	C	D	E	F
-- 644	8.42 (163.1)	4.41 (112.0)	4.29 (109.0)	2.28 (57.9)	4.00 (101.6)	2.00 (50.8)
-- 664	6.42 (163.1)	6.42 (163.1)	4.28 (108.7)	4.28 (108.7)	4.00 (101.6)	4.00 (101.6)
-- 864	8.42 (213.9)	6.42 (163.1)	6.27 (159.2)	4.26 (108.2)	4.00 (101.6)	4.00 (101.6)
-- 884	8.42 (213.9)	8.42 (213.9)	6.30 (160.0)	6.30 (160.0)	4.00 (101.6)	6.00 (152.4)
-- 1084	10.42 (264.7)	8.42 (213.9)	8.34 (211.8)	6.30 (160.0)	4.00 (101.6)	6.00 (152.4)

SIZE	A	B	C	D	E	F
-- 1088	10.42 (264.7)	8.42 (213.9)	8.34 (211.8)	6.30 (160.0)	6.00 (152.4)	6.00 (152.4)
-- 10106	10.42 (264.7)	10.42 (264.7)	8.29 (210.6)	8.29 (210.6)	6.00 (152.4)	8.00 (203.2)
-- 12106	12.42 (315.5)	10.42 (264.7)	10.30 (261.6)	8.28 (210.3)	6.00 (152.4)	8.00 (203.2)
-- 12126	12.42 (315.5)	12.42 (315.5)	10.24 (260.1)	10.24 (260.1)	6.00 (152.4)	10.00 (254.0)
-- 14126	14.42 (366.3)	12.42 (315.5)	12.26 (311.4)	10.24 (260.1)	6.00 (152.4)	10.00 (254.0)
-- 16146	16.42 (417.1)	14.42 (366.3)	14.26 (362.2)	12.26 (311.4)	6.00 (152.4)	12.00 (304.8)

**Thomas & Betts**  
www.tnb.com

DESCRIPTION: **HIDDEN HINGE ENCLOSURES (NH/NI SERIES)**

SHEET NO:  
**2 OF 2**

REV. NO:  
**D**

DRAWING NO:  
**WSD-AC02094**