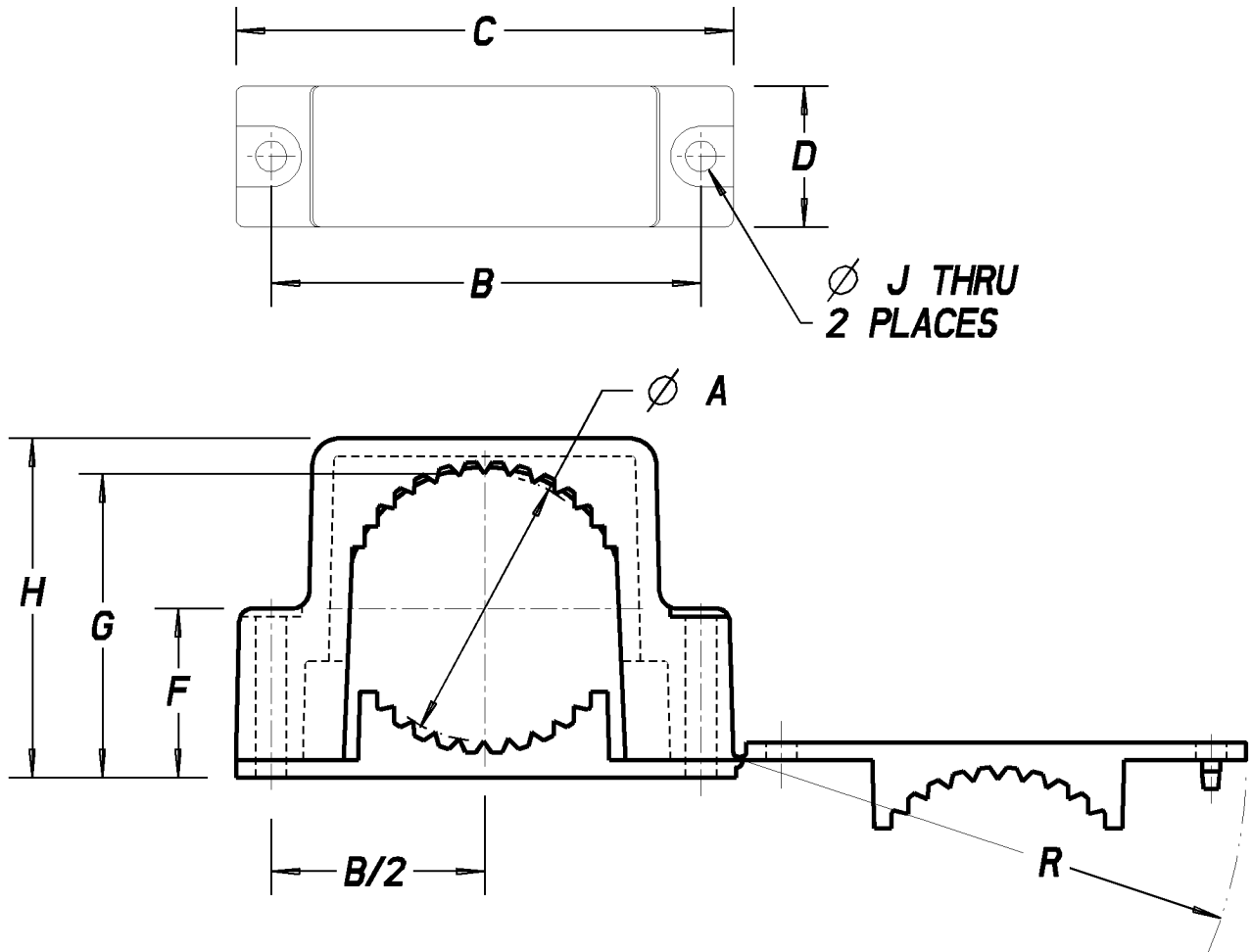



# Carlton®



NOMINAL SIZE	PART NO.	A	B	C	D	F	G	H	$\phi J$	R
1-1/4"	E978GC-CAR E978GCR E978GCRL	1.66 (42.16)	2.75 (69.9)	3.23 (82.0)	1.00 (25.4)	.95 (24.1)	1.78 (45.2)	2.15 (54.61)	.218 (5.54)	3.28 (83.3)
1-1/2"	E978HC-CAR E978HCR E978HCRL	1.92 (48.77)	3.05 (77.5)	3.53 (89.7)	1.00 (25.4)	1.08 (27.4)	2.04 (51.8)	2.40 (60.96)	.218 (5.54)	3.58 (90.9)
2"	E978JC-CAR E978JCL	2.34 (59.44)	3.50 (88.9)	4.00 (101.6)	1.00 (25.4)	1.31 (33.3)	2.48 (63.0)	2.86 (72.64)	.218 (5.54)	4.06 (103.1)

**NOTES:**

1. MATERIAL: POLYPROPYLENE

<b>GENERAL NOTES</b>		 www.tnb.com			
1. ALL DIMENSIONS ARE FOR REFERENCE ONLY. 2. DIMENSIONS IN BRACKETS [ ] ARE IN METRIC UNITS.					
<b>REVISIONS</b>		<b>DESCRIPTION: CONDUIT HANGER</b>			
*** SEE ERN ( **** ) FOR APPROVAL SIGNATURES & RELEASE DATE. PROJECT NO: ****		ORIGINAL PROJECT NO / ( ERN NO )	SHEET NO:	REV. NO:	DRAWING NO:
		/ ( )	1 OF 1	<b>B</b>	<b>WSD-AC03030</b>